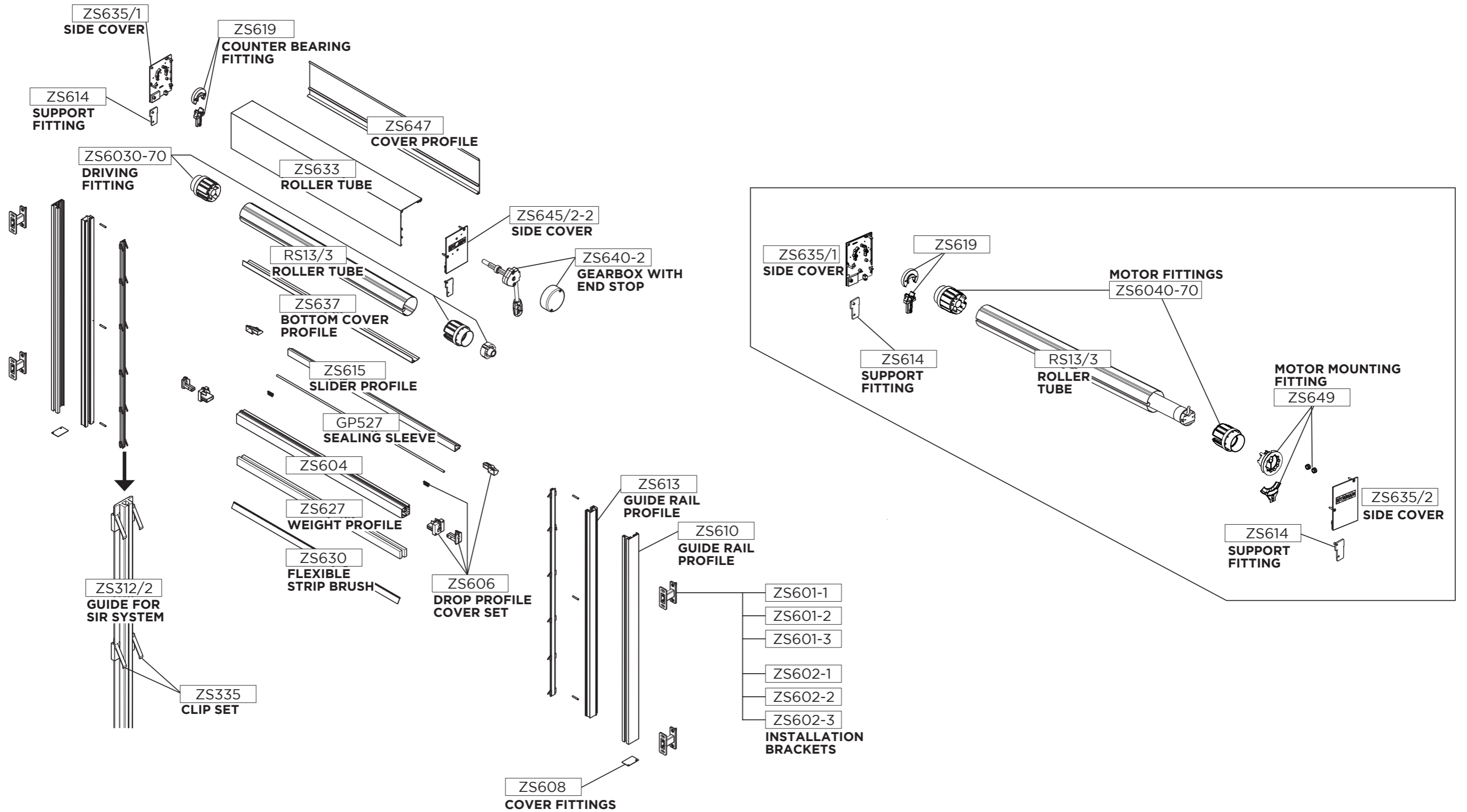
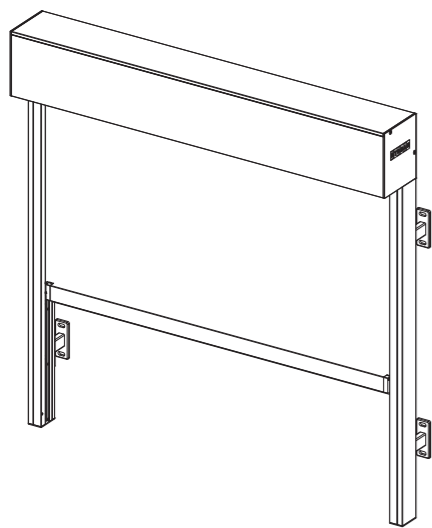




STOBAG VENTOSOL 6100/6200

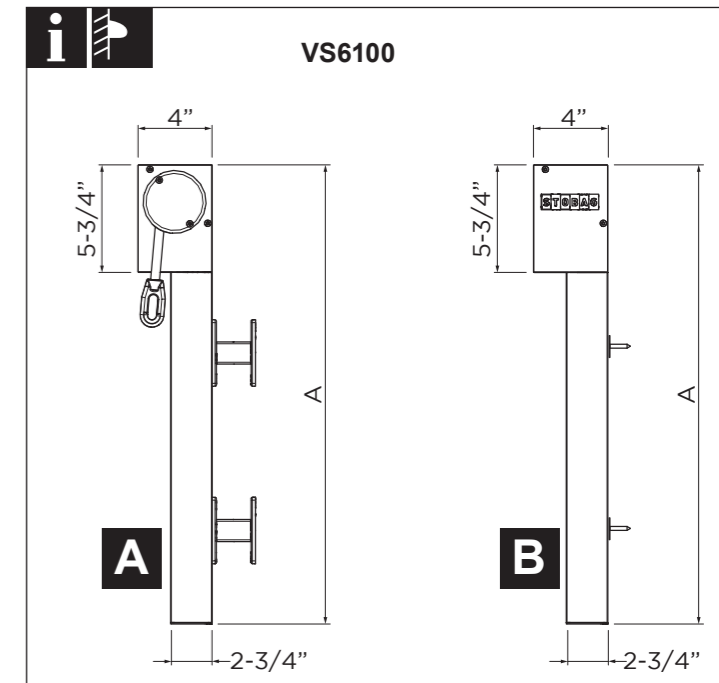
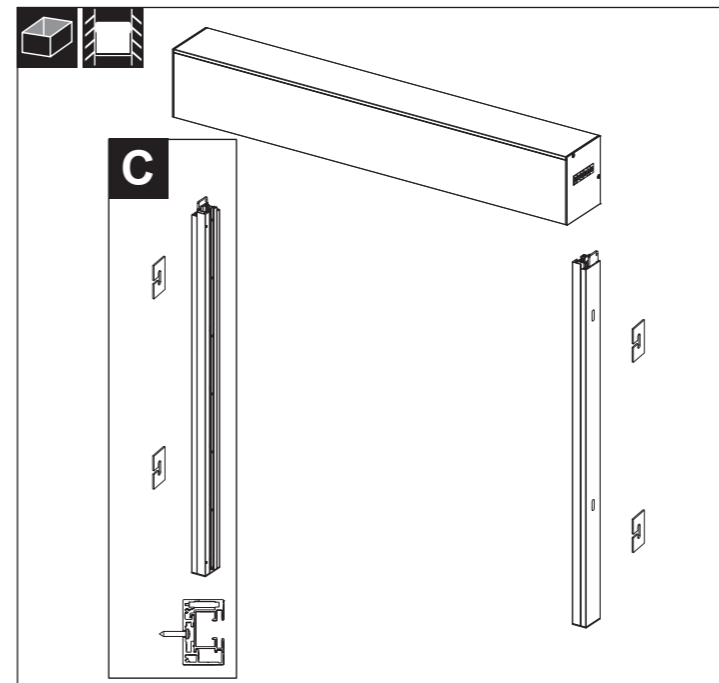
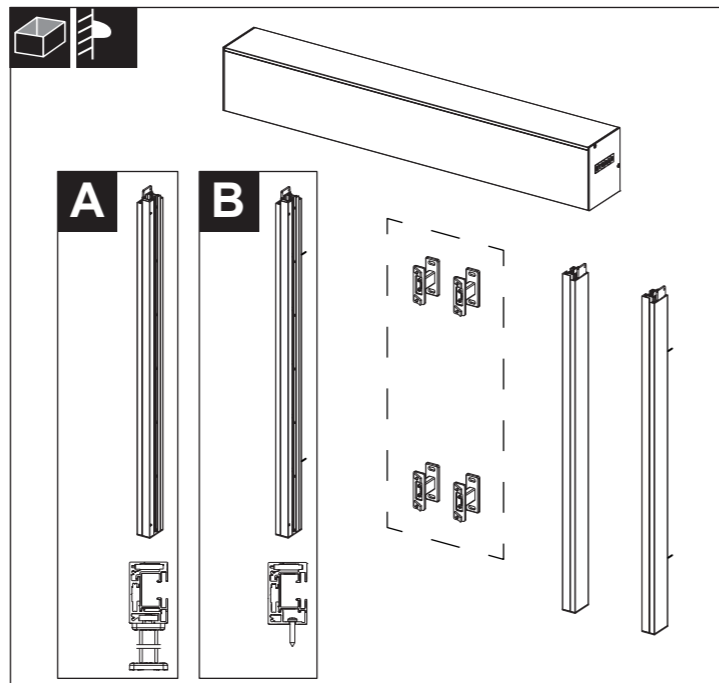
MOTORIZED INTERIOR OR EXTERIOR TENSIONED ZIPPER SYSTEM



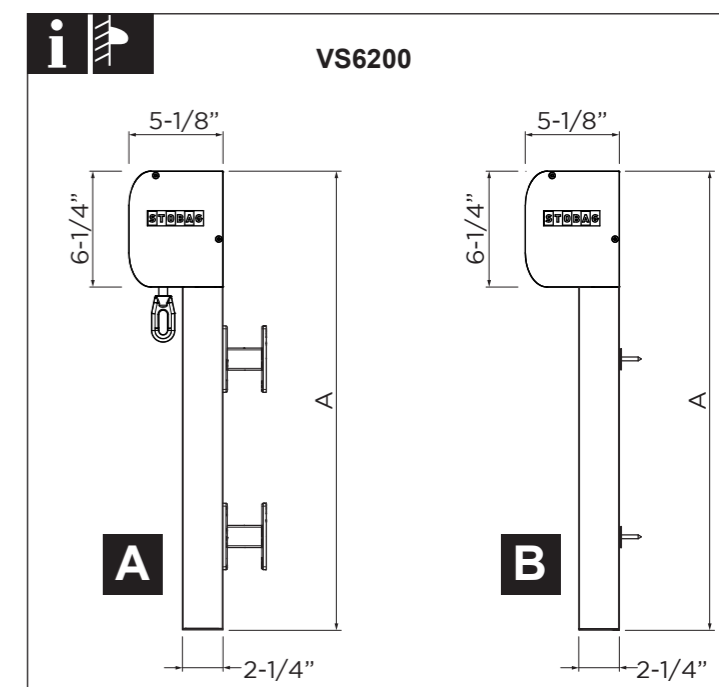
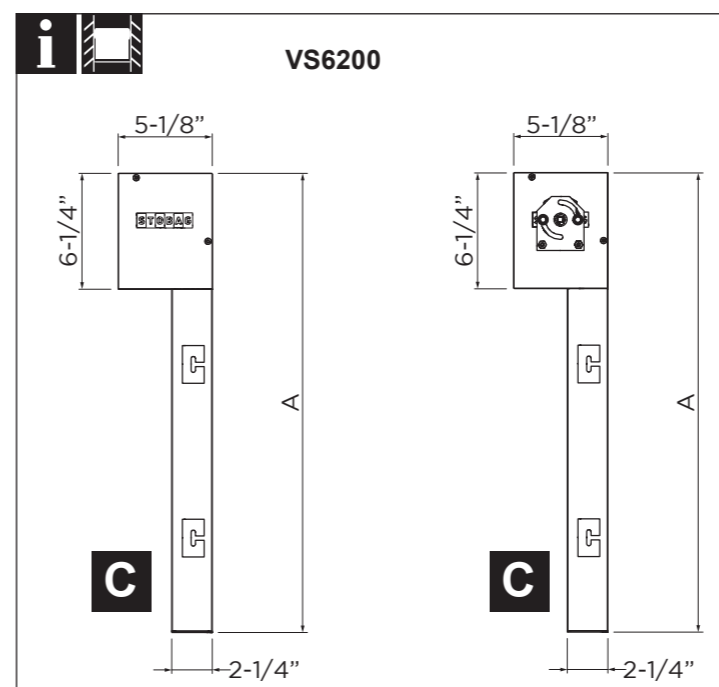
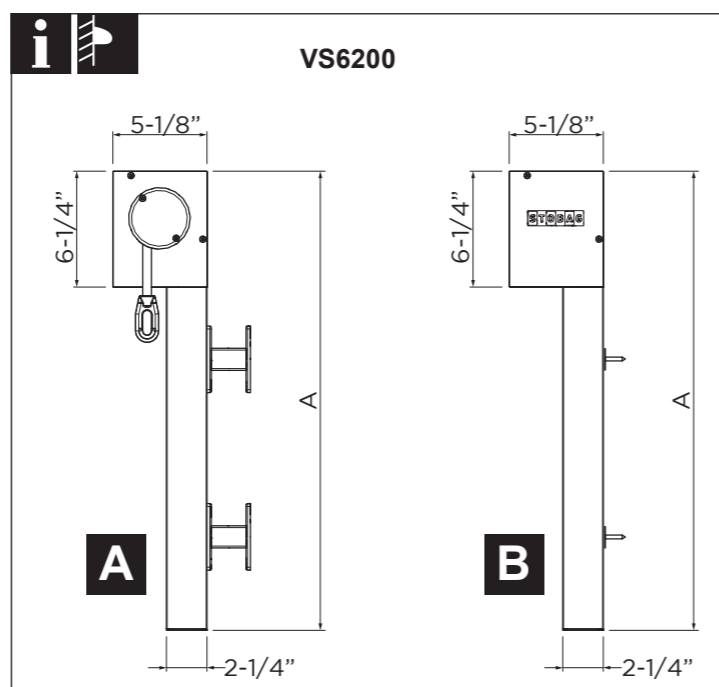
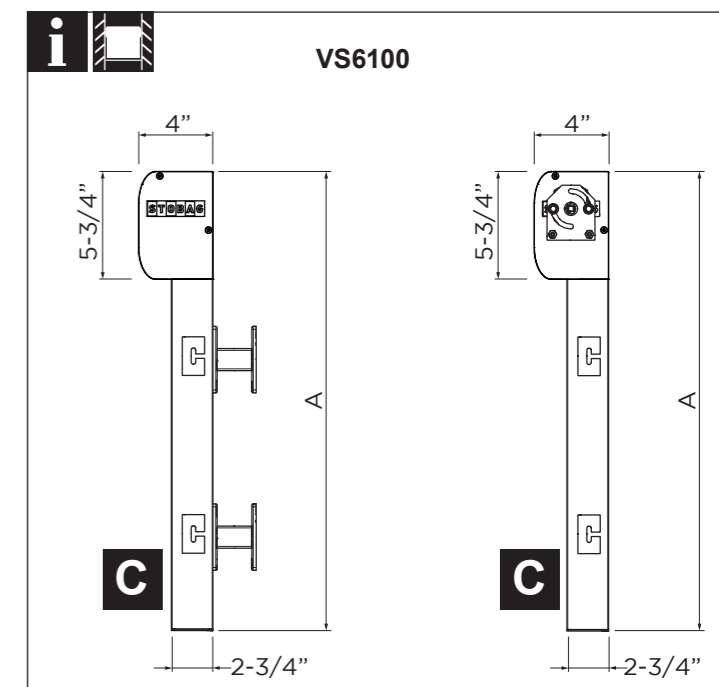
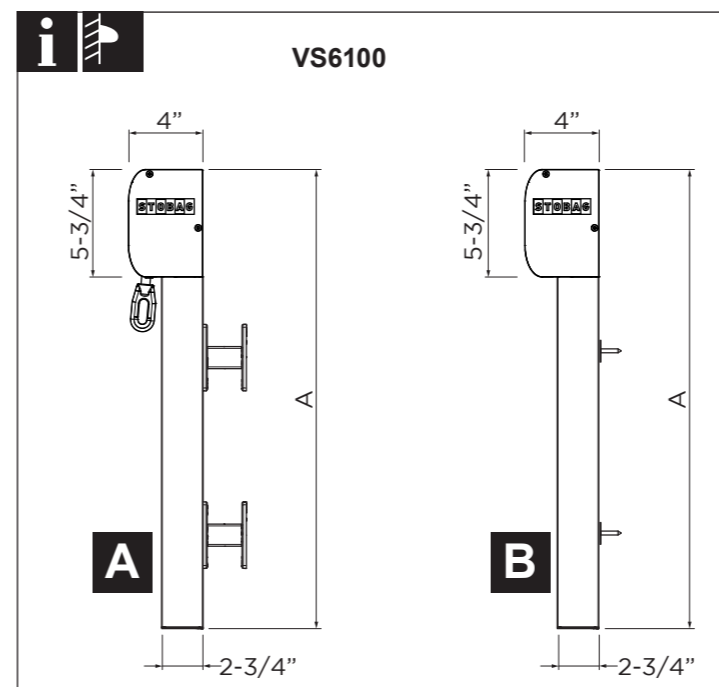
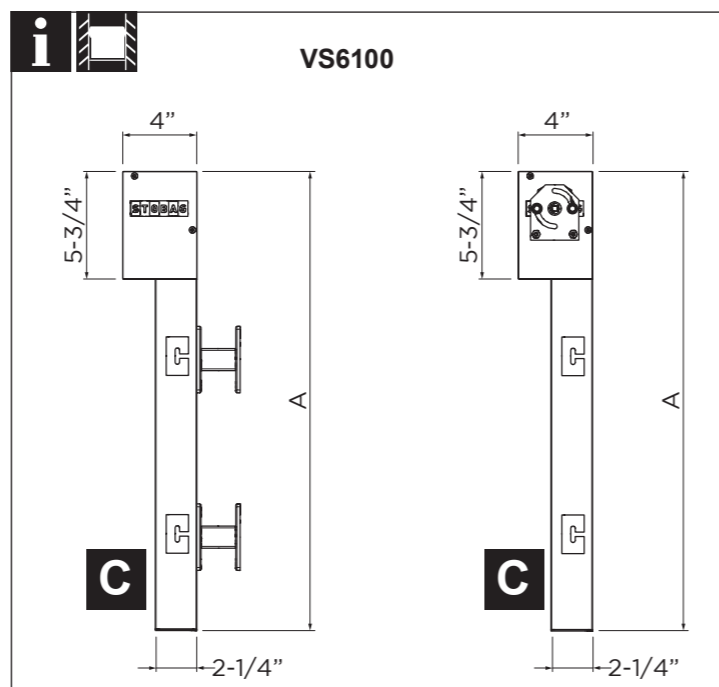


VS6100 / VS6200

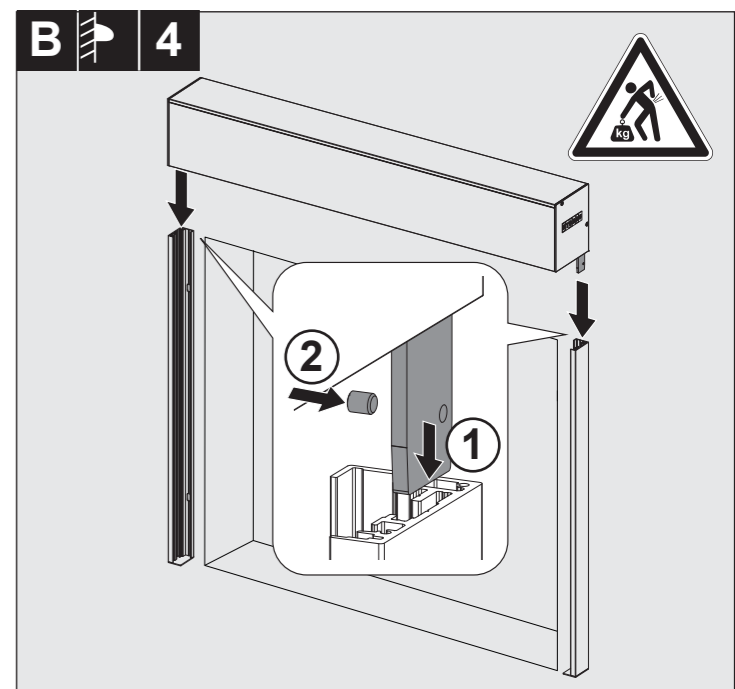
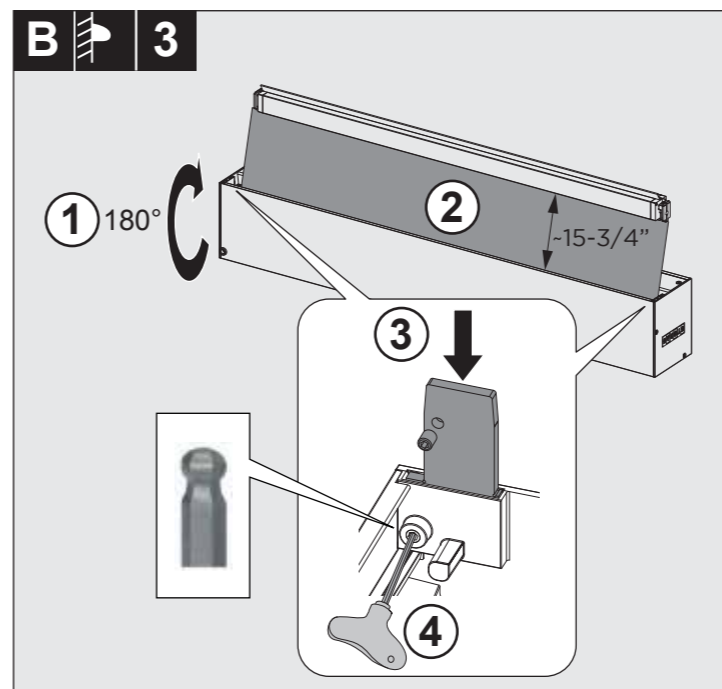
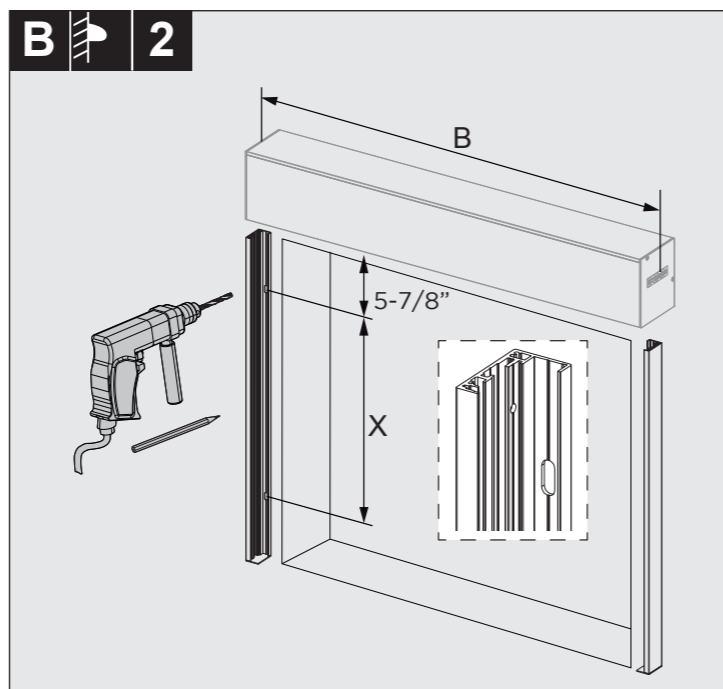
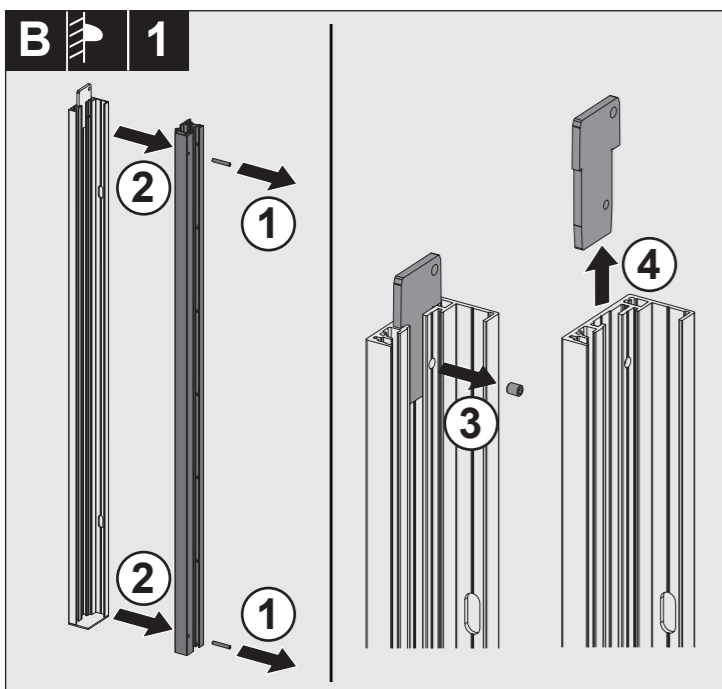
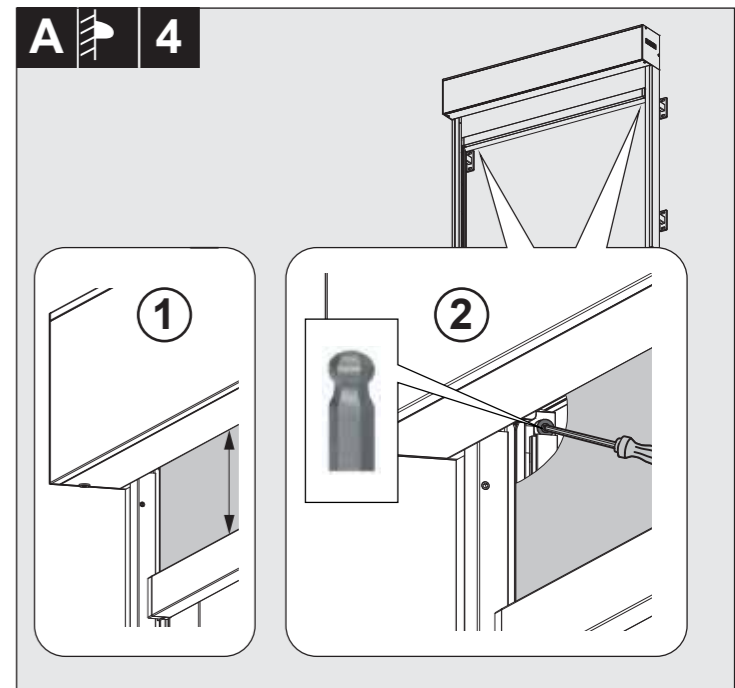
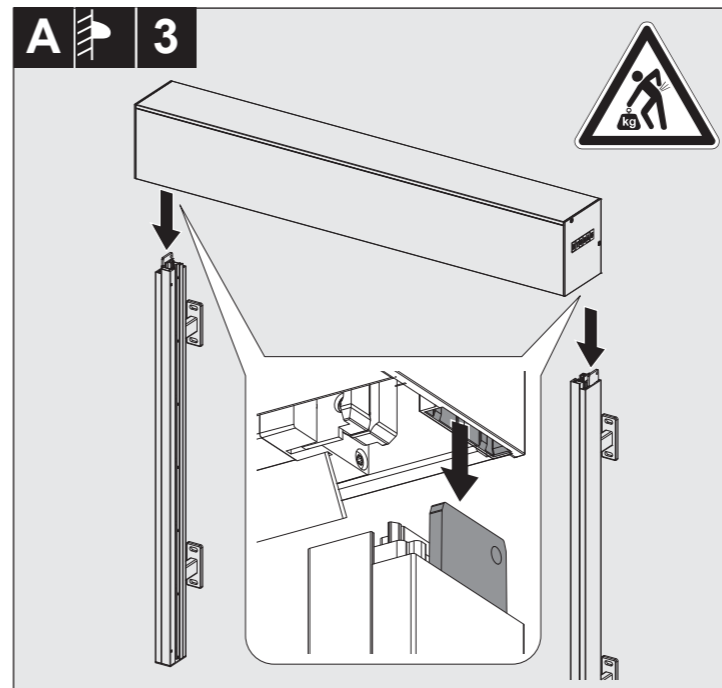
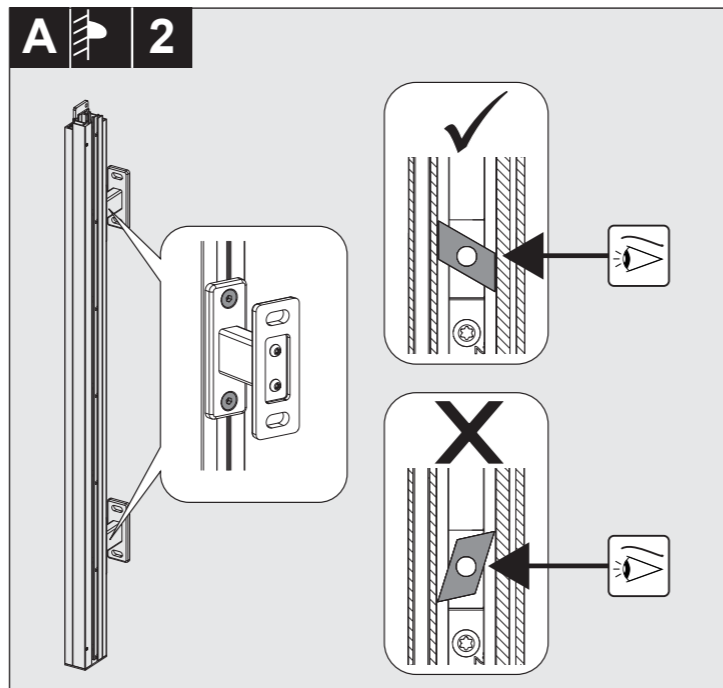
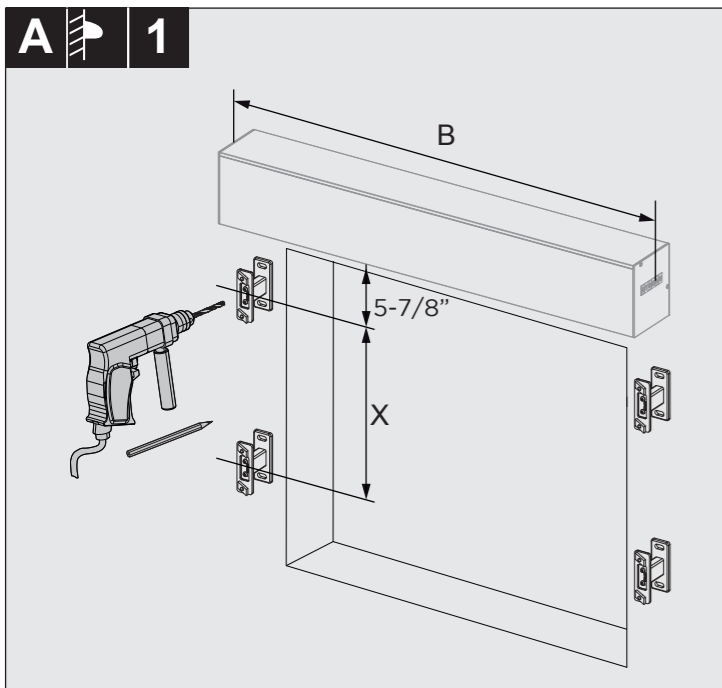
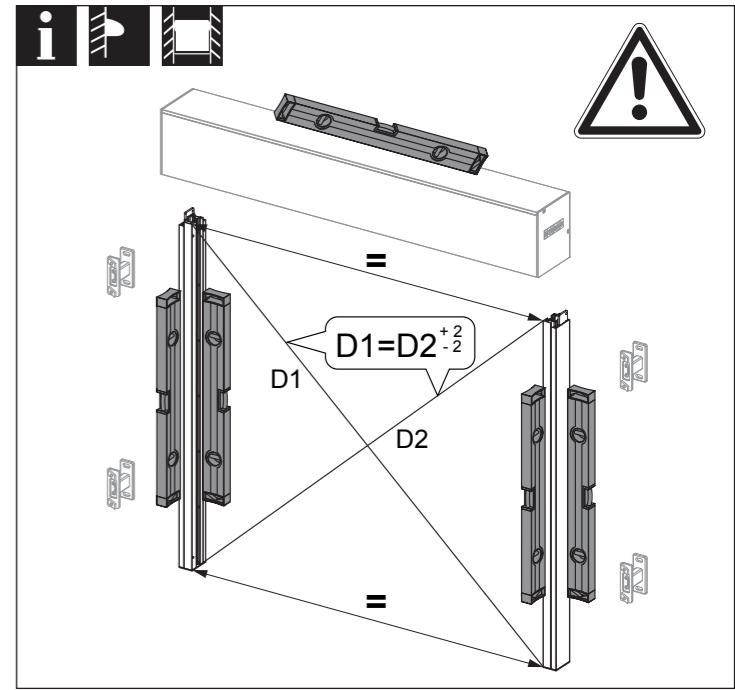
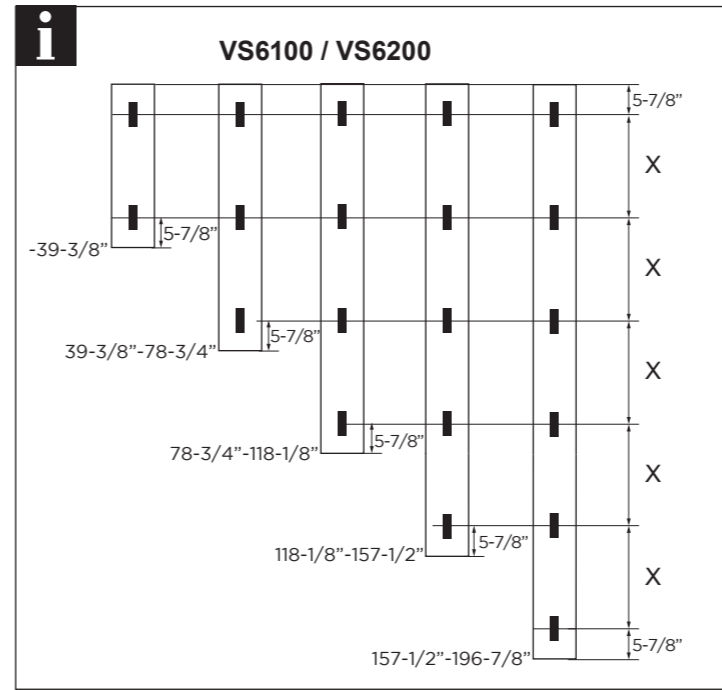
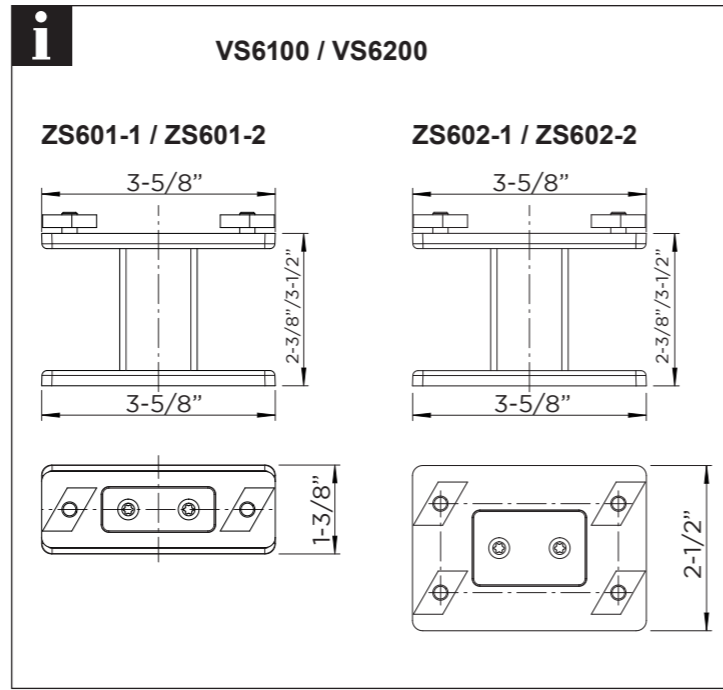
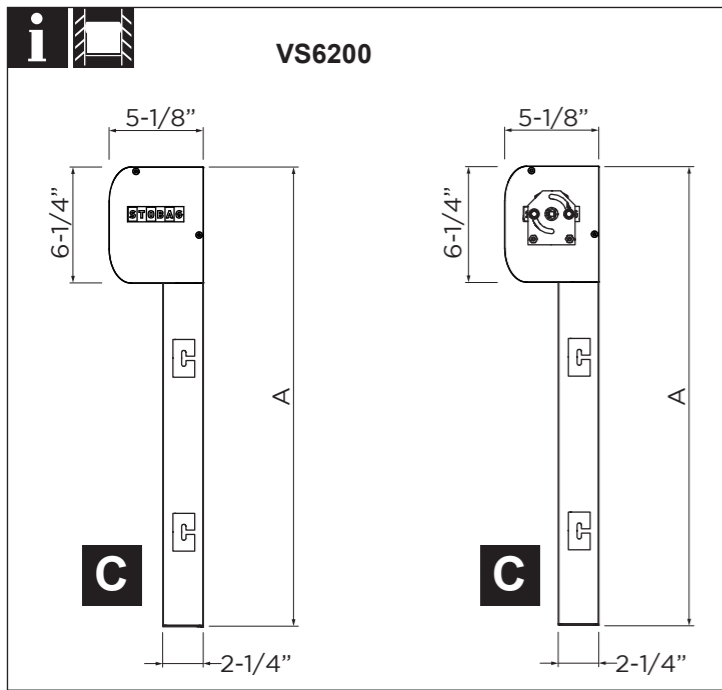
Art. 258796 V03 2018-07-01
© STOBAG AG www.stobag.com

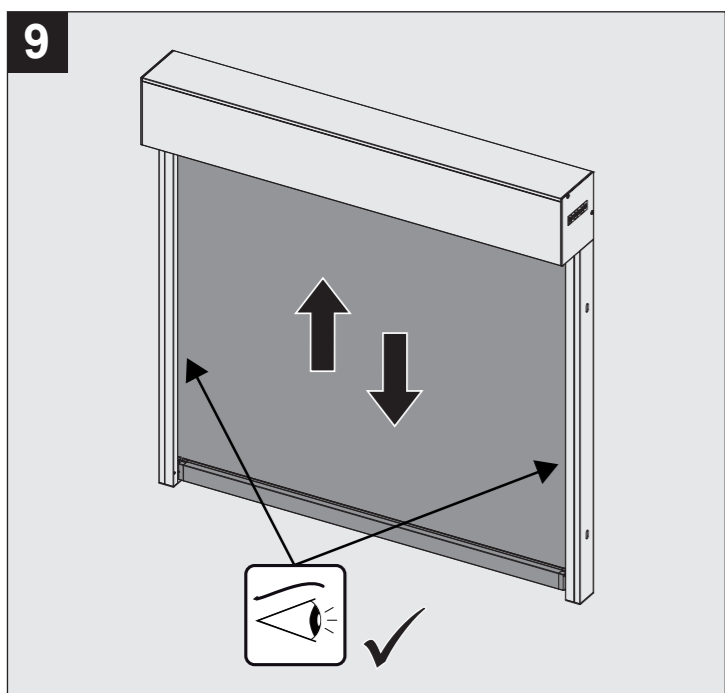
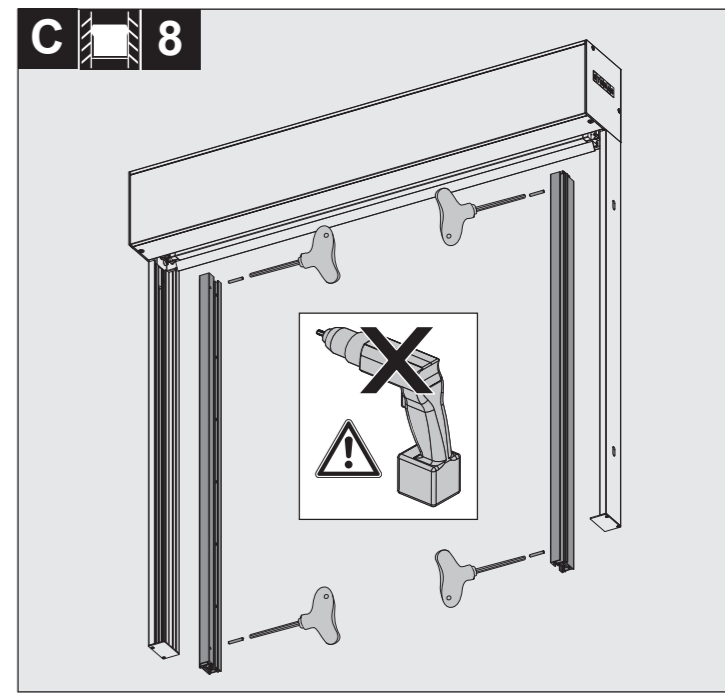
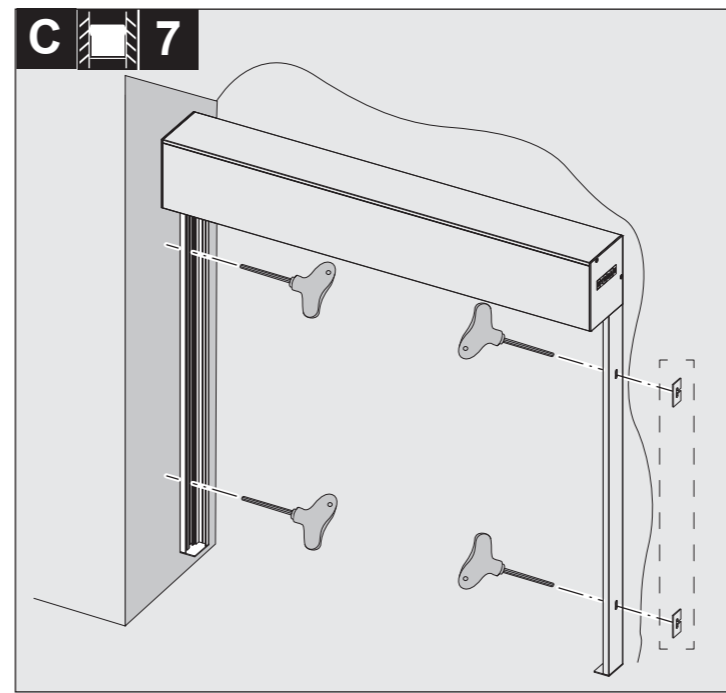
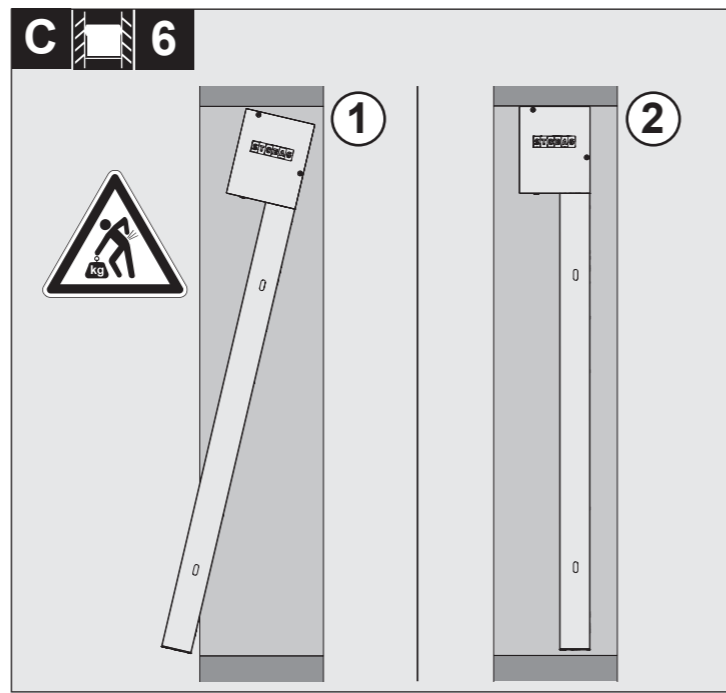
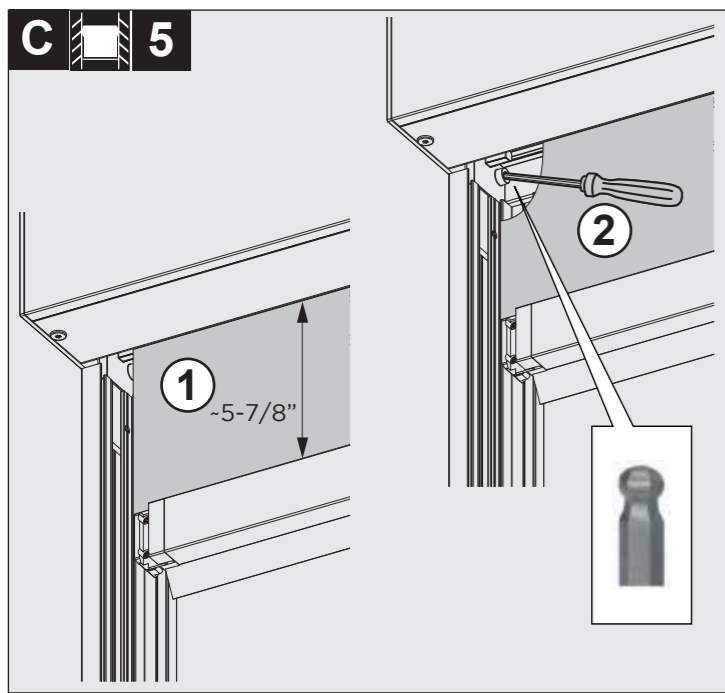
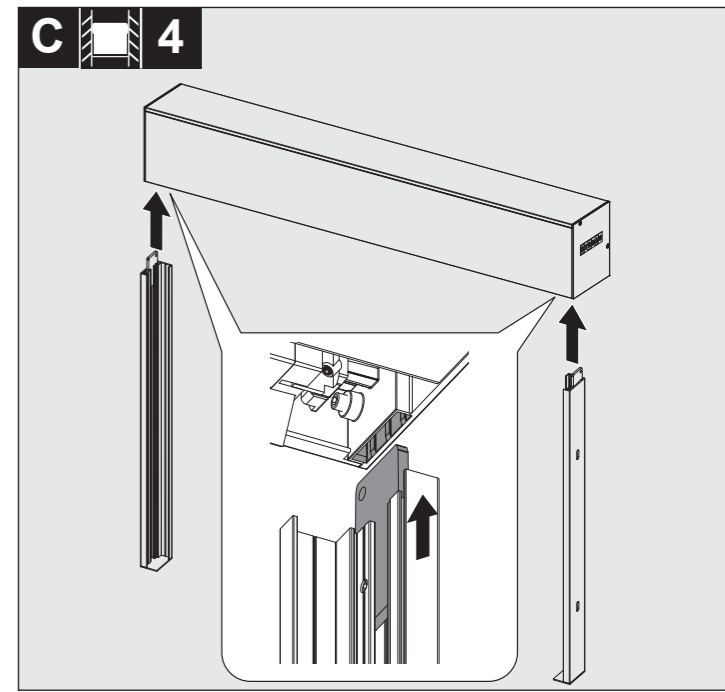
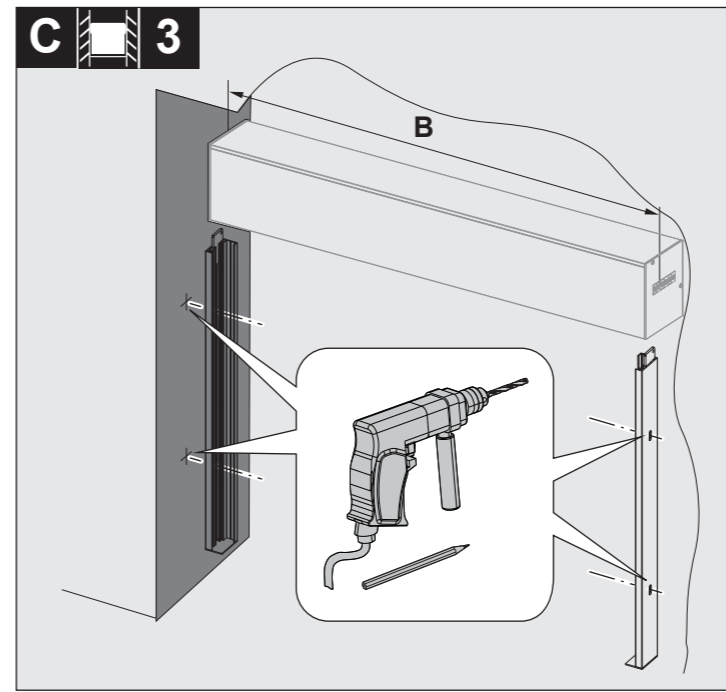
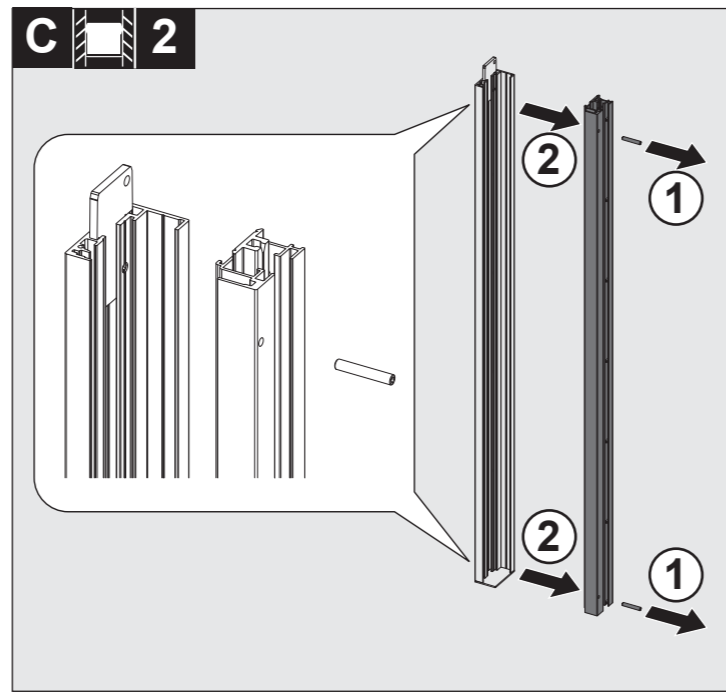
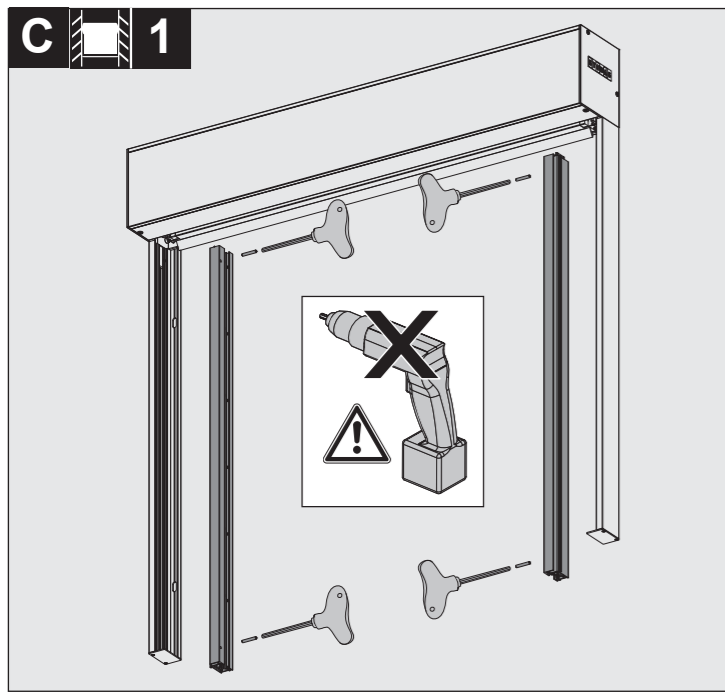


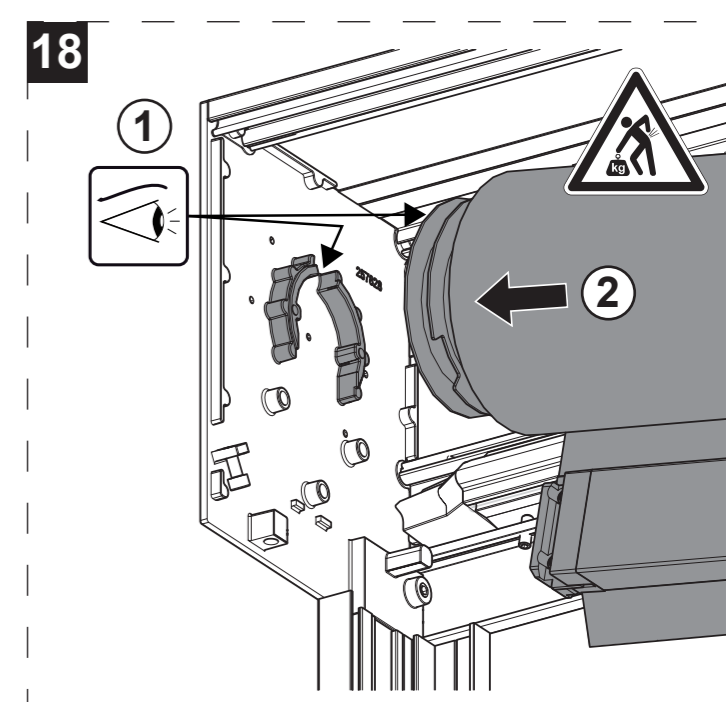
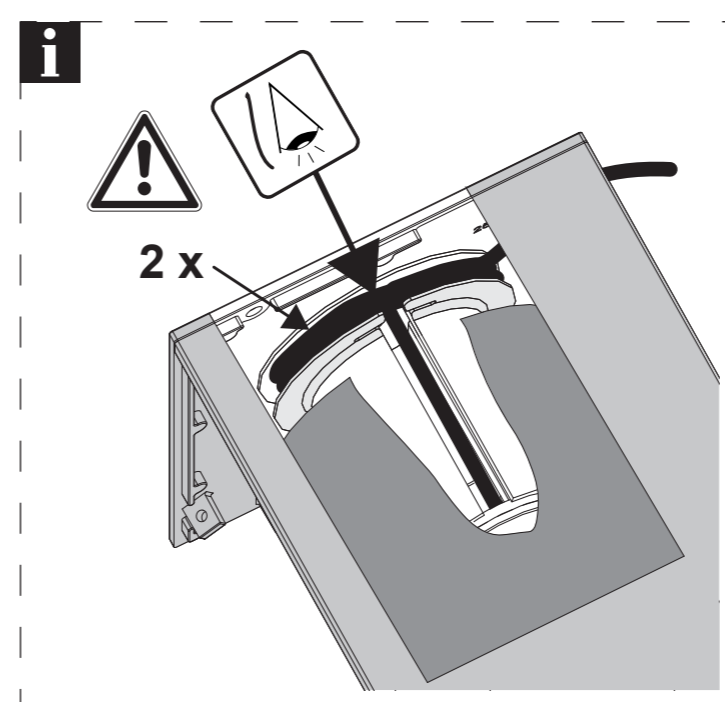
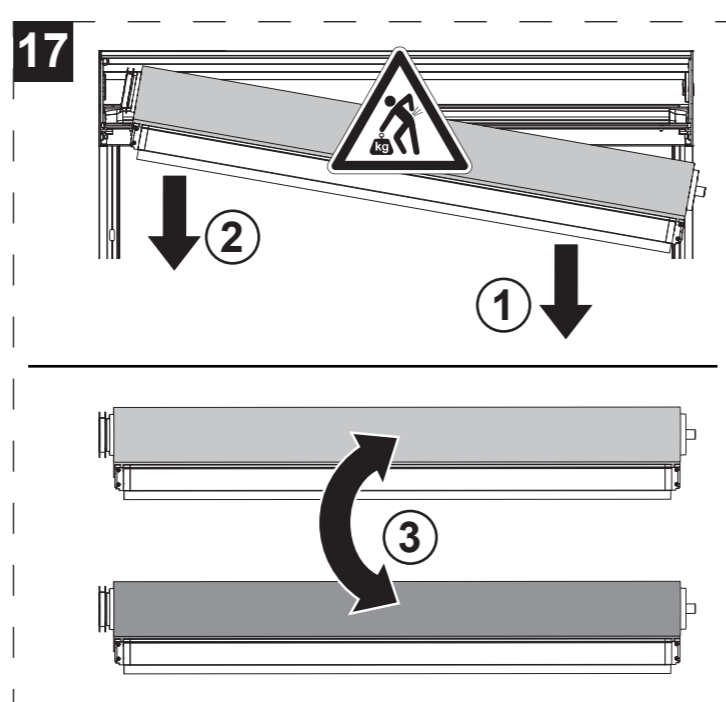
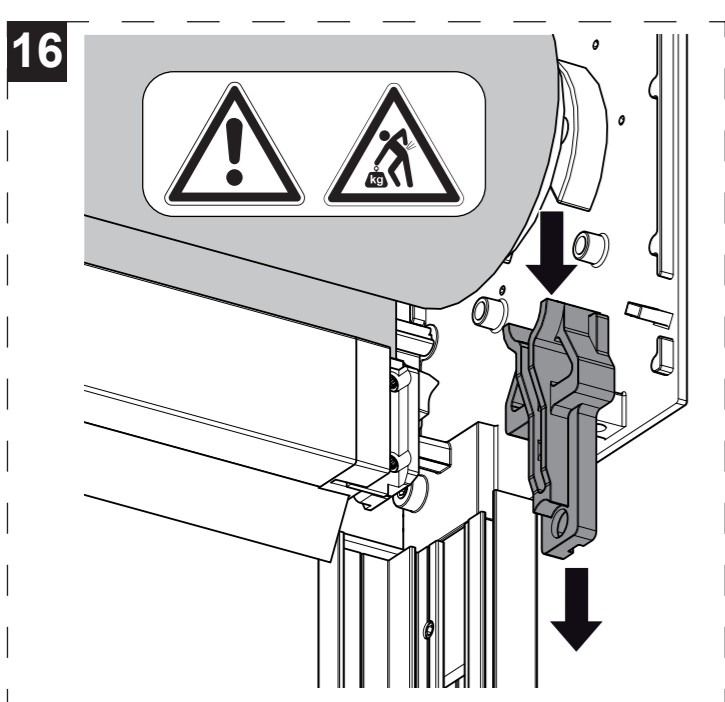
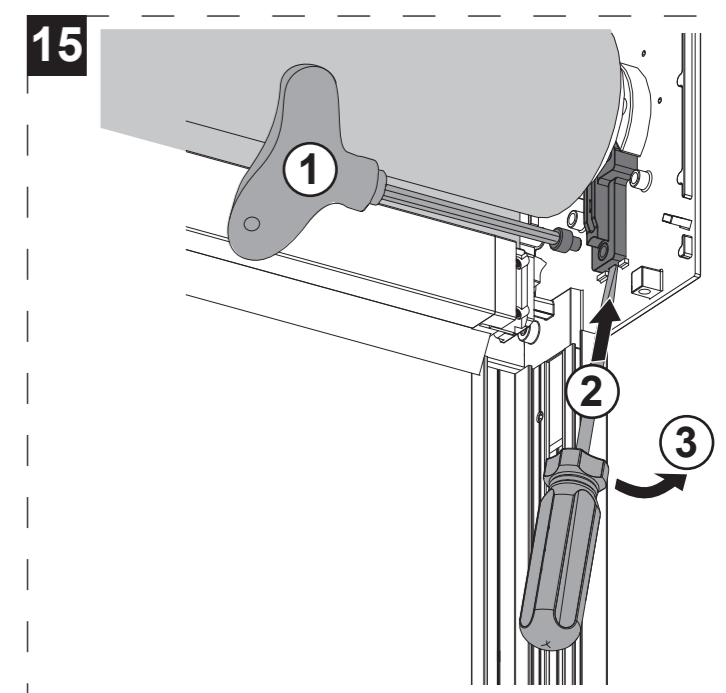
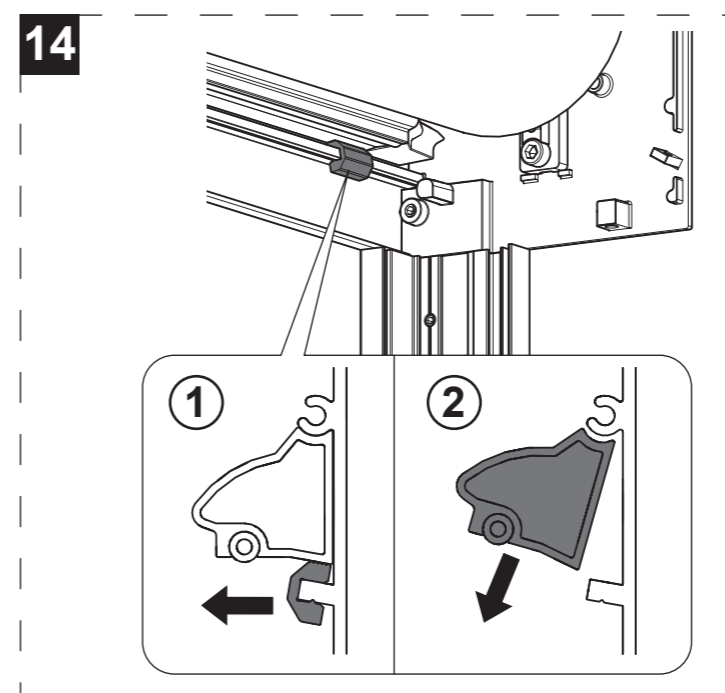
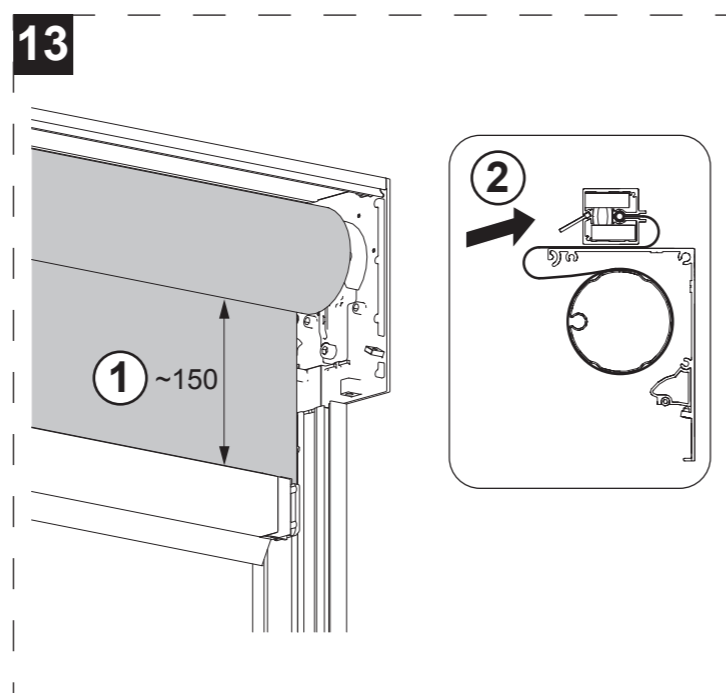
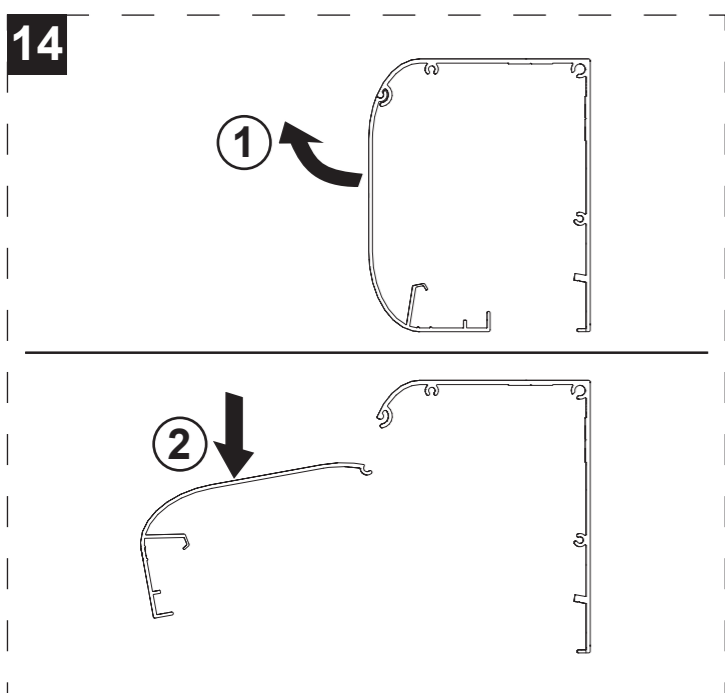
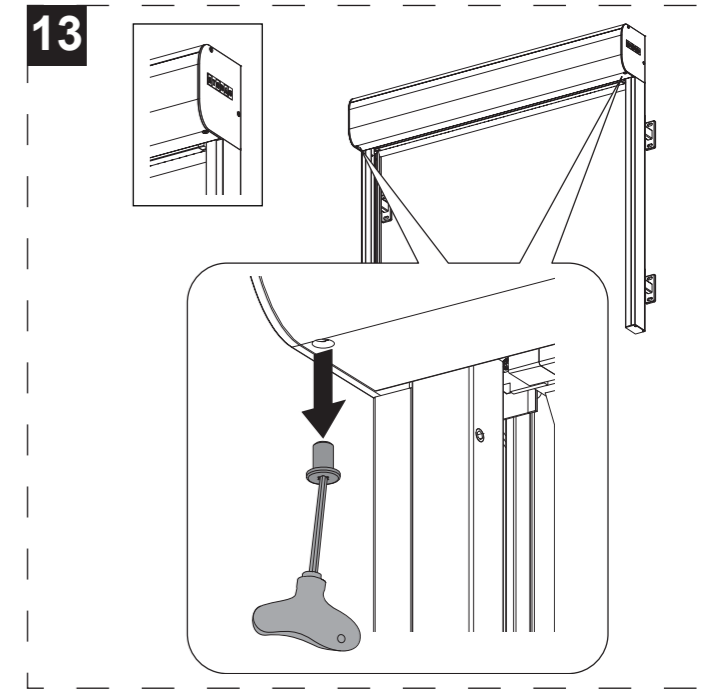
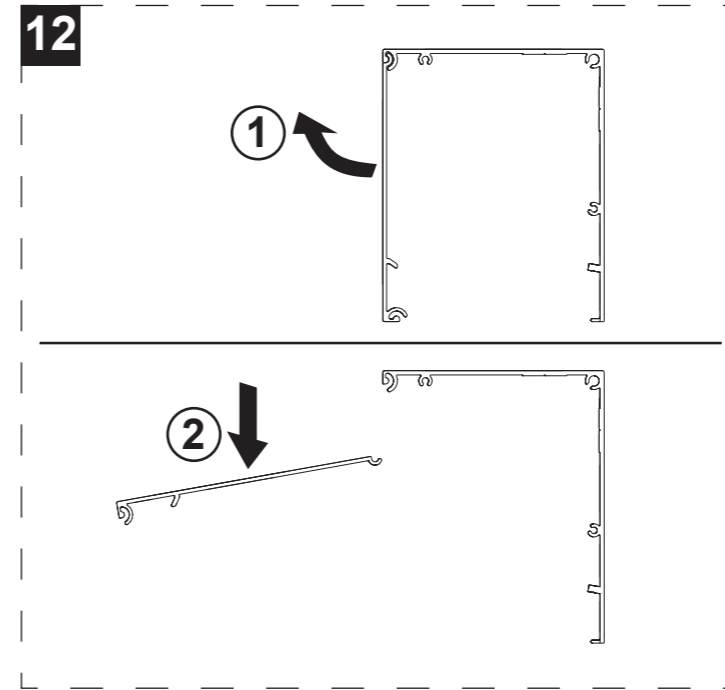
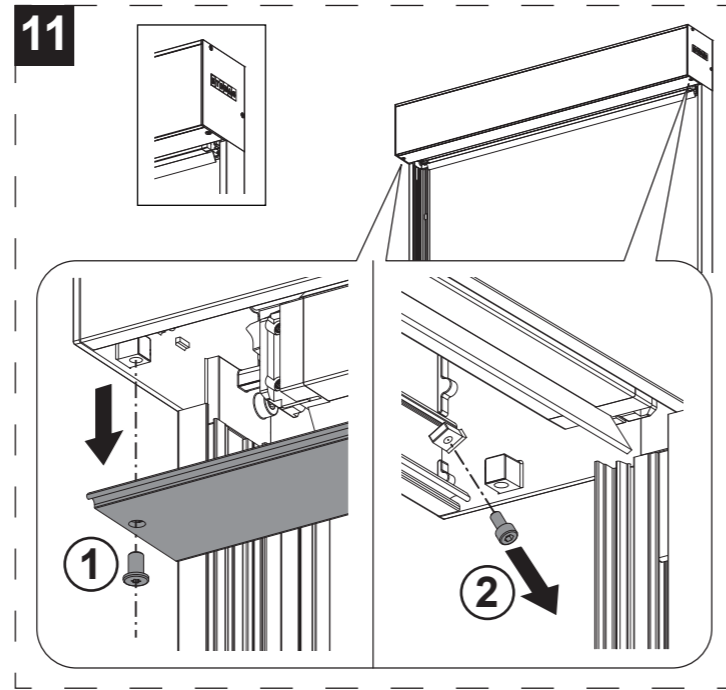
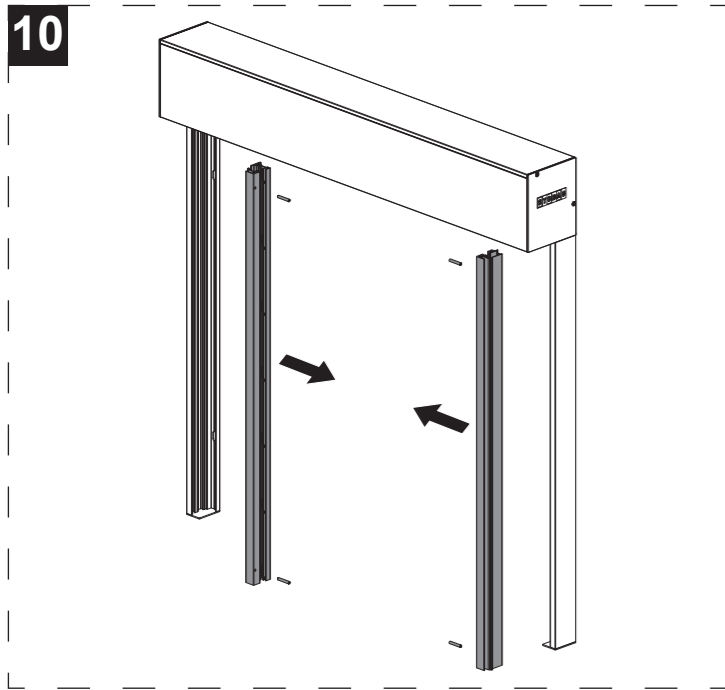
EN 13561:2004+A1:2008



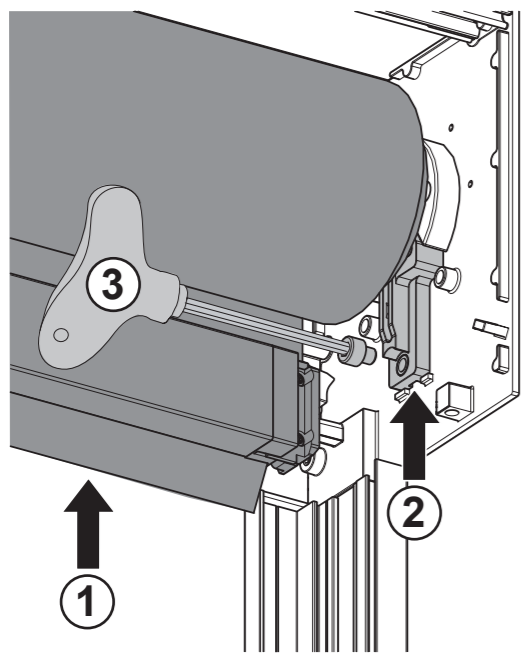
INSTALLATION IS ONLY TO BE CARRIED OUT BY TRAINED SPECIALISTS. IT IS EXTREMELY IMPORTANT THAT THE SAFETY INSTRUCTIONS IN THE OPERATING MANUAL BE FOLLOWED.



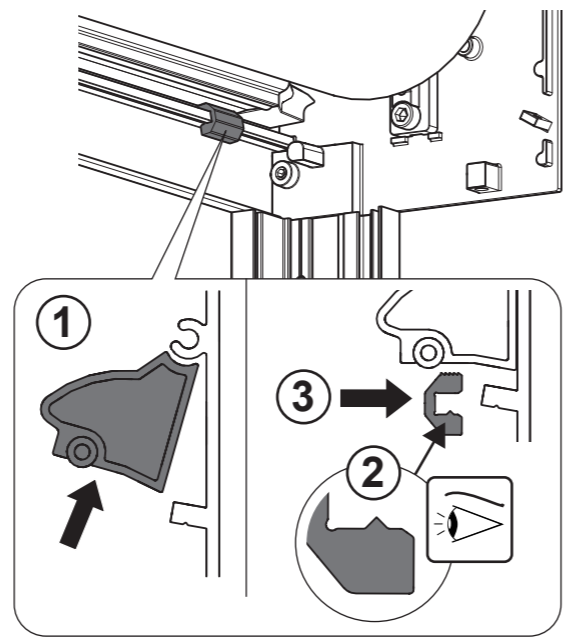




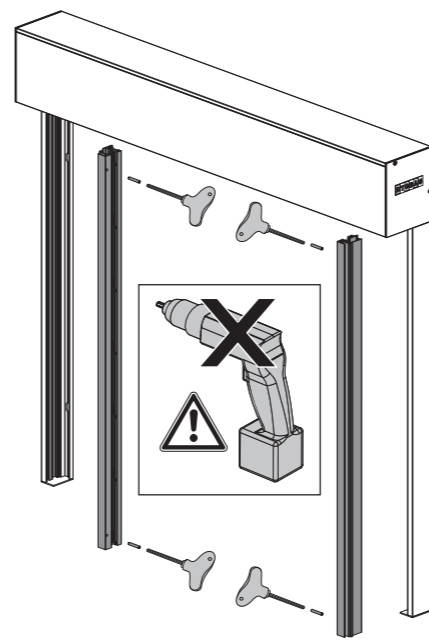
19



20



21



22

