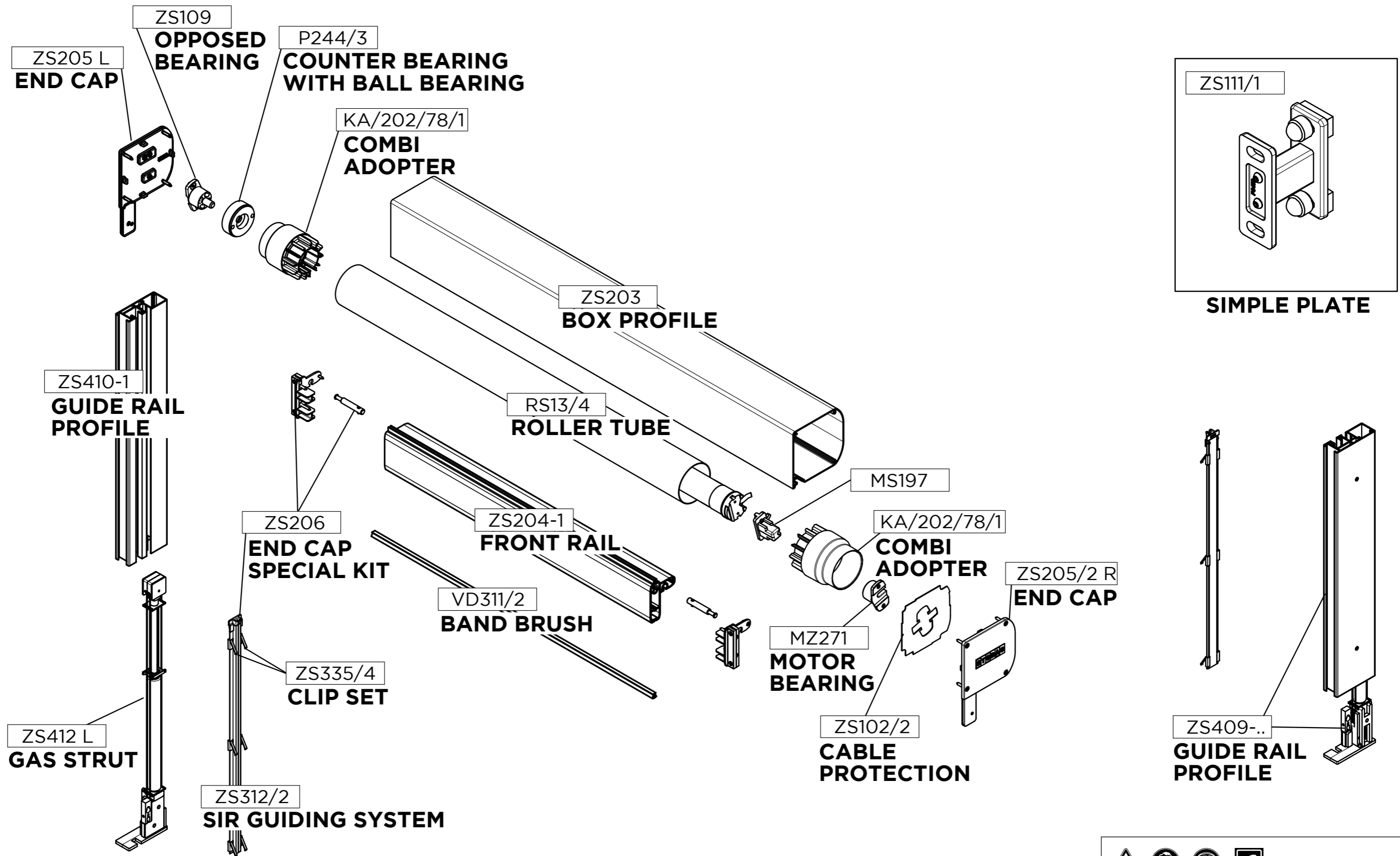
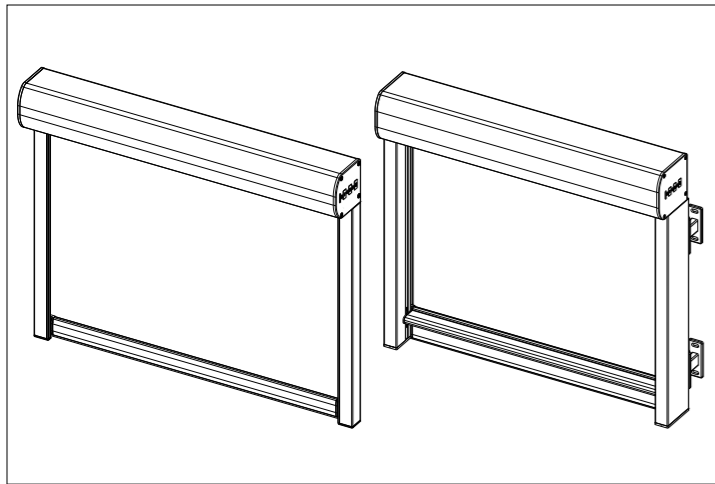


# STOBAG VENTOSOL 5400

MOTORIZED INTERIOR OR EXTERIOR TENSIONED ZIPPER SYSTEM





**VS5400 VD5400**

Art. 253322 V07.1 2020-04-01  
© STOBAG AG www.stobag.com

