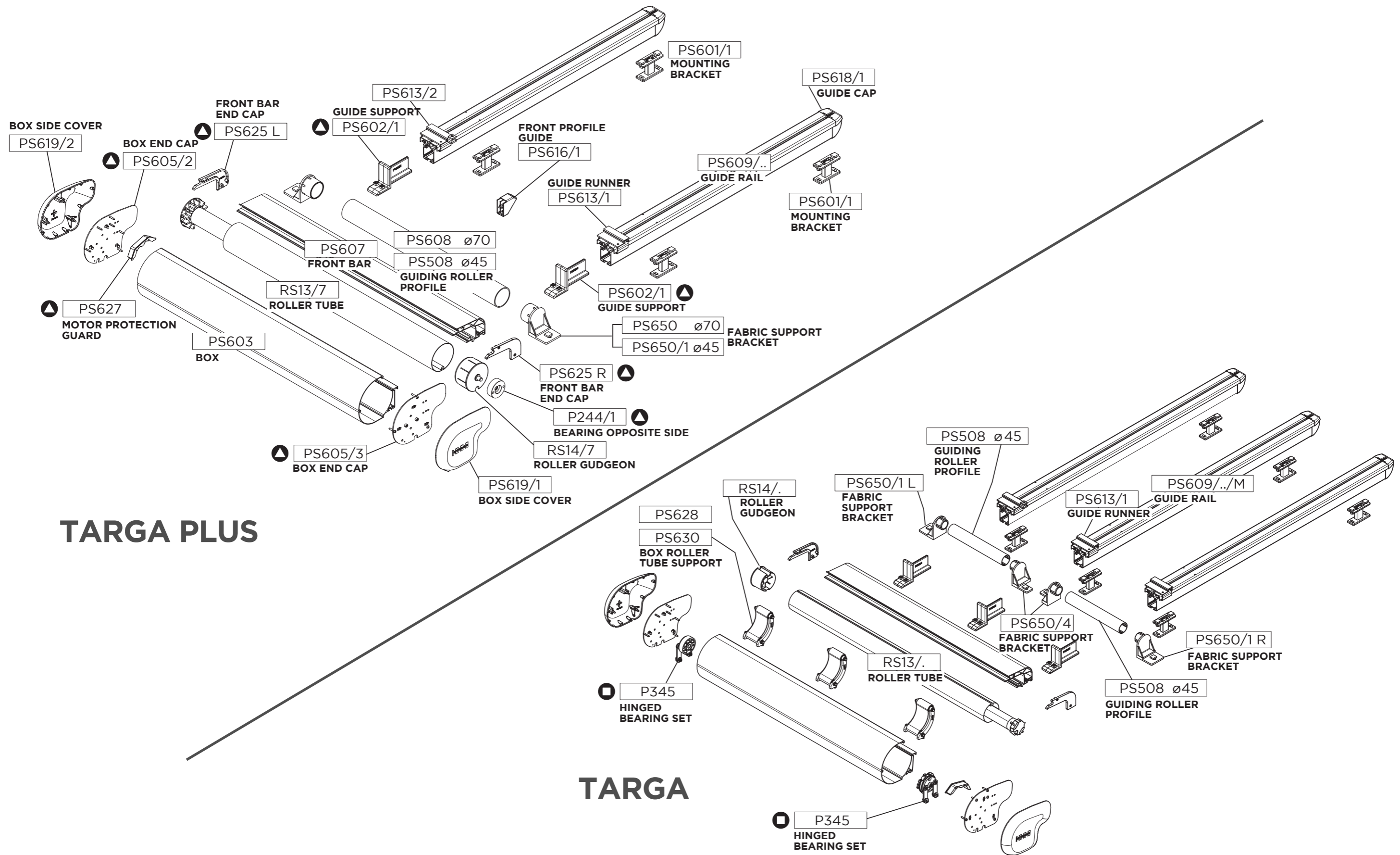


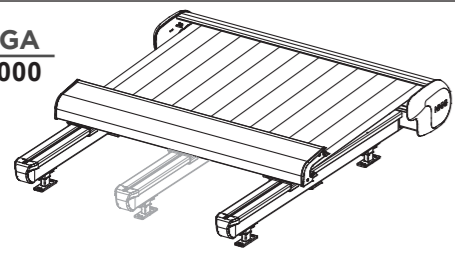


STOBAG TARGA/TARGA PLUS

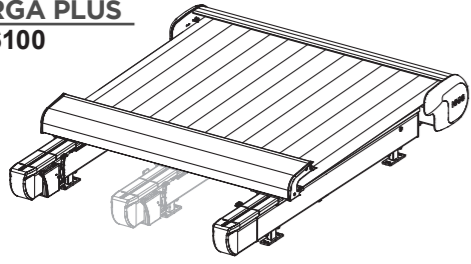
MOTORIZED CONSERVATIVE AWNING SYSTEM



TARGA
PS6000



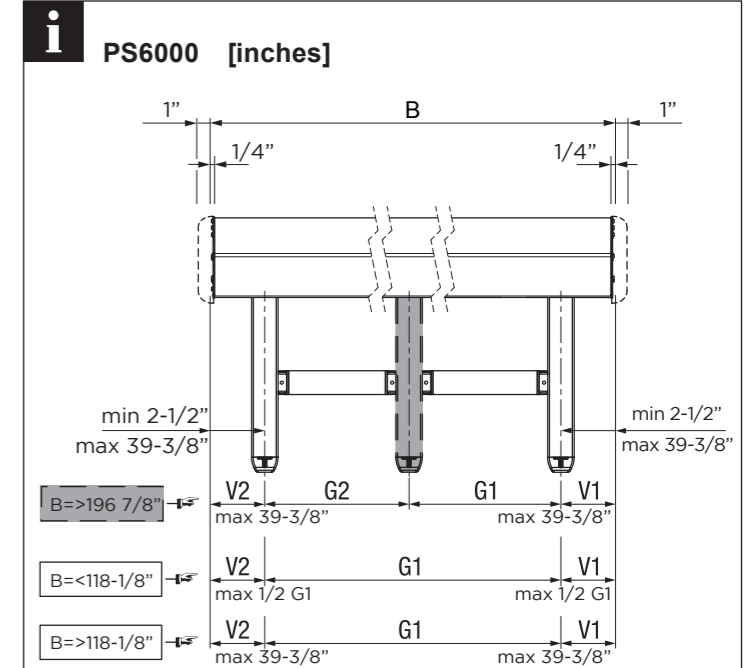
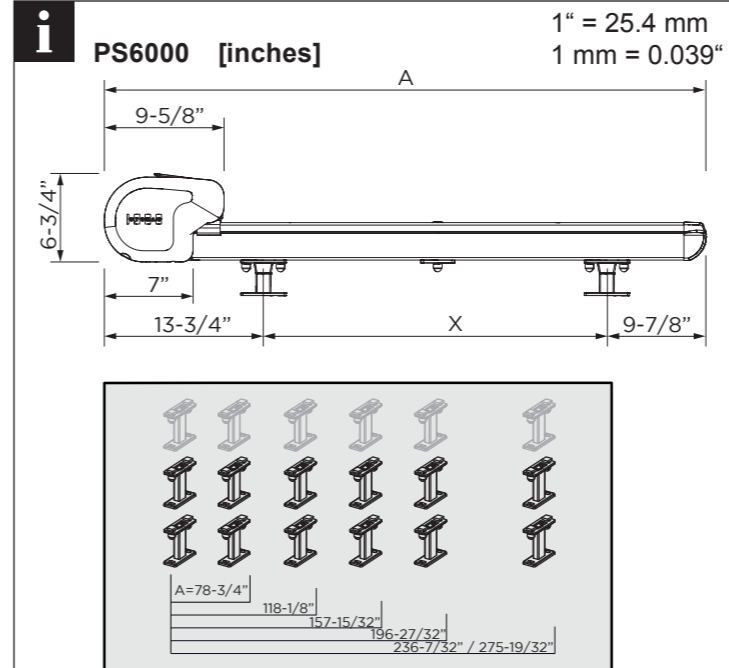
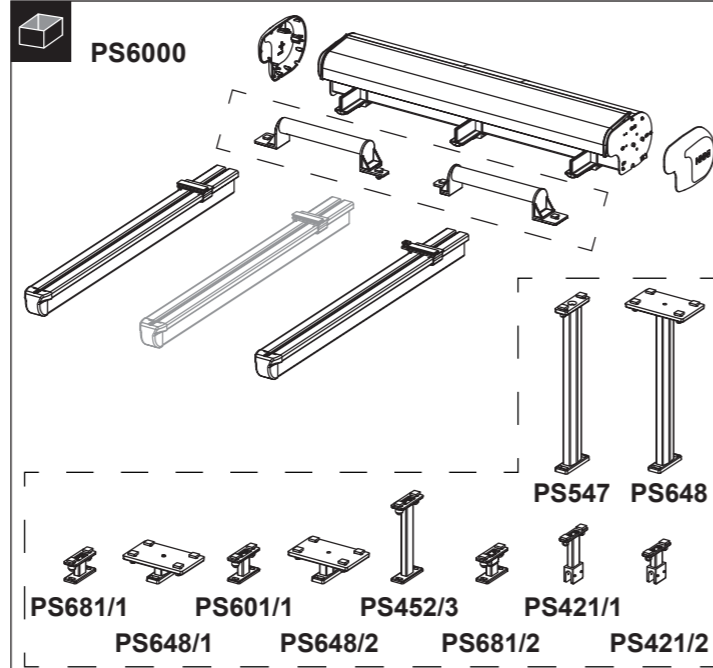
TARGA PLUS
PS6100



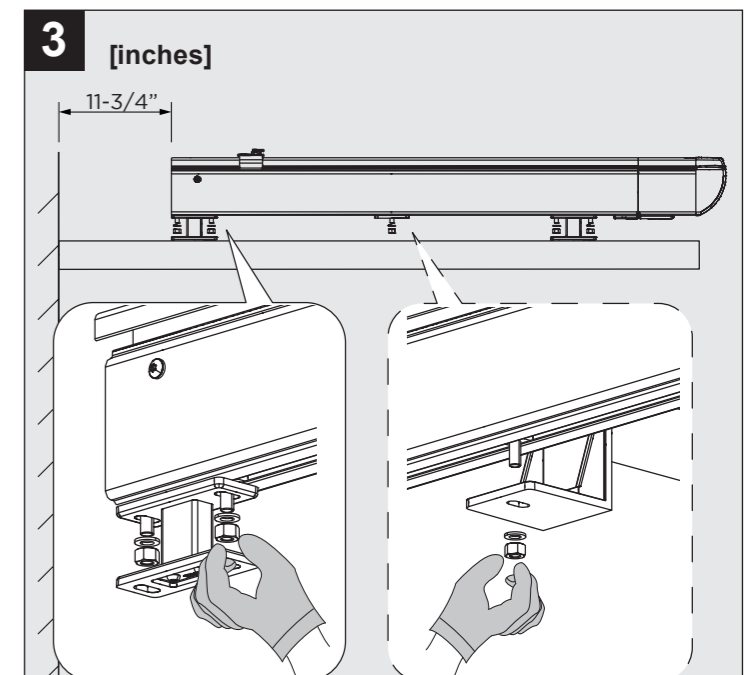
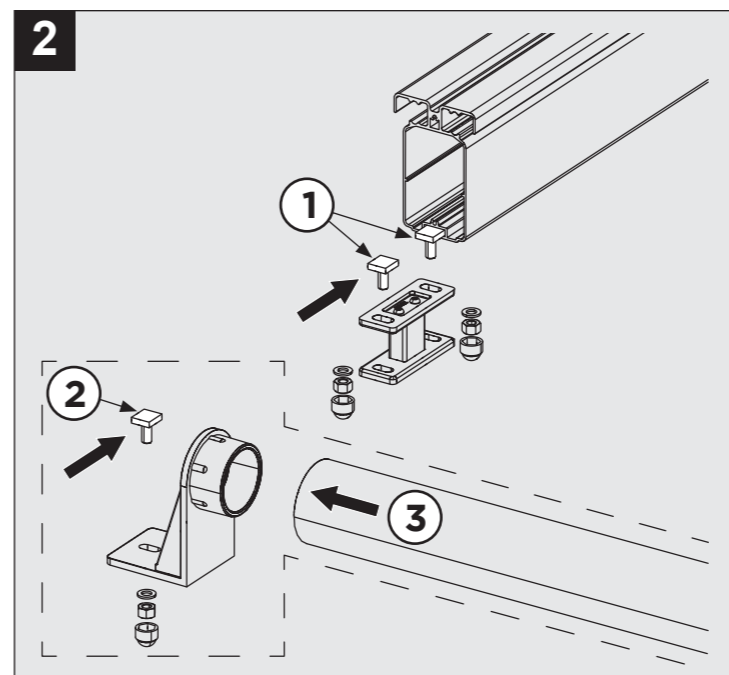
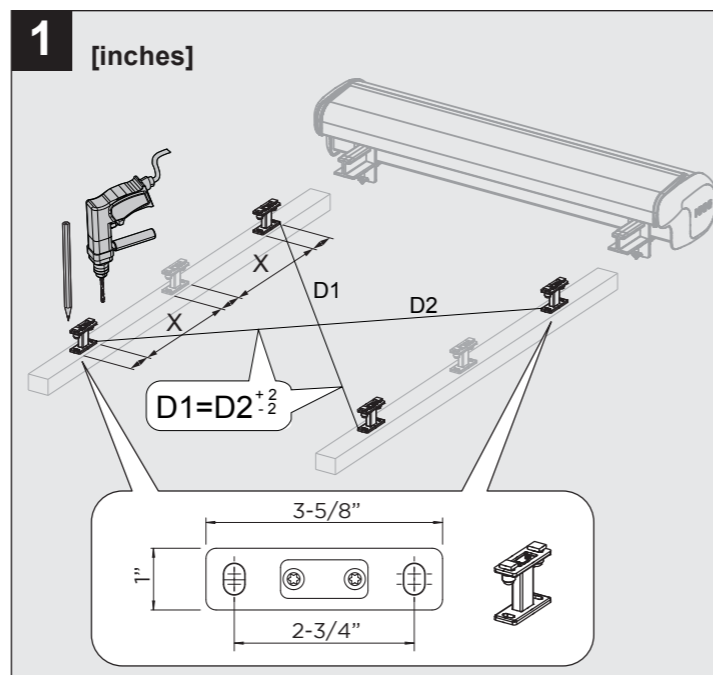
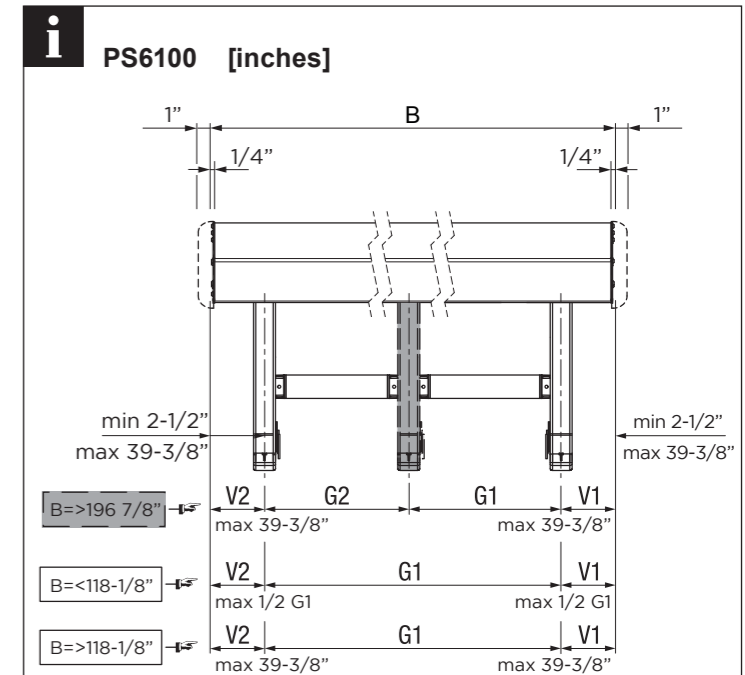
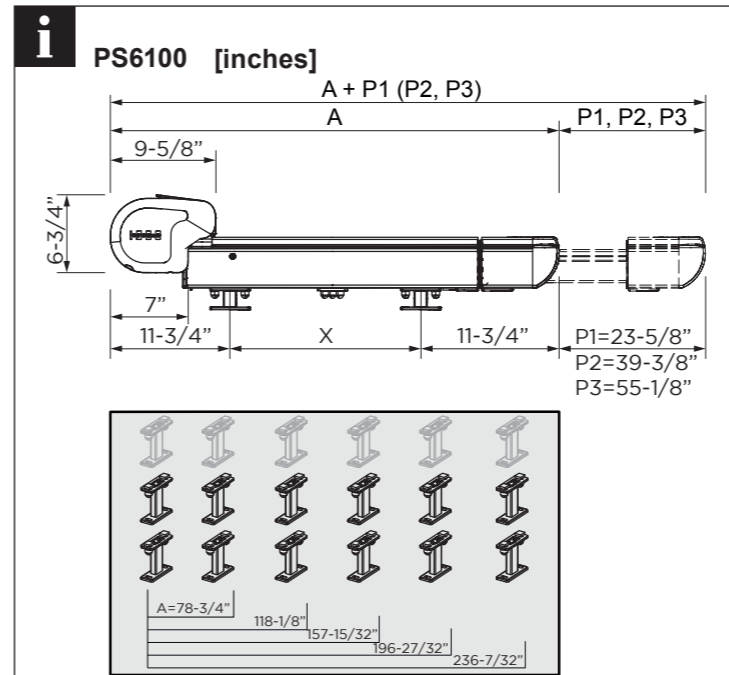
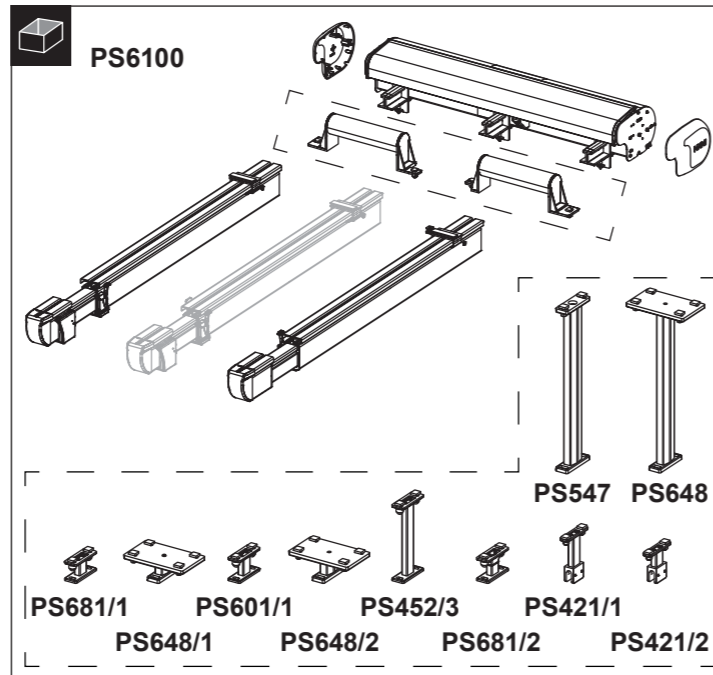
PS6000 PS6100

Art. 252953 V00 2014-06-26
© STOBAG AG www.stobag.com

STOBAG



EN 13561:2004+A1:2008 CE



INSTALLATION IS ONLY TO BE CARRIED OUT BY TRAINED SPECIALISTS. IT IS EXTREMELY IMPORTANT THAT THE SAFETY INSTRUCTIONS IN THE OPERATING MANUAL BE FOLLOWED.

