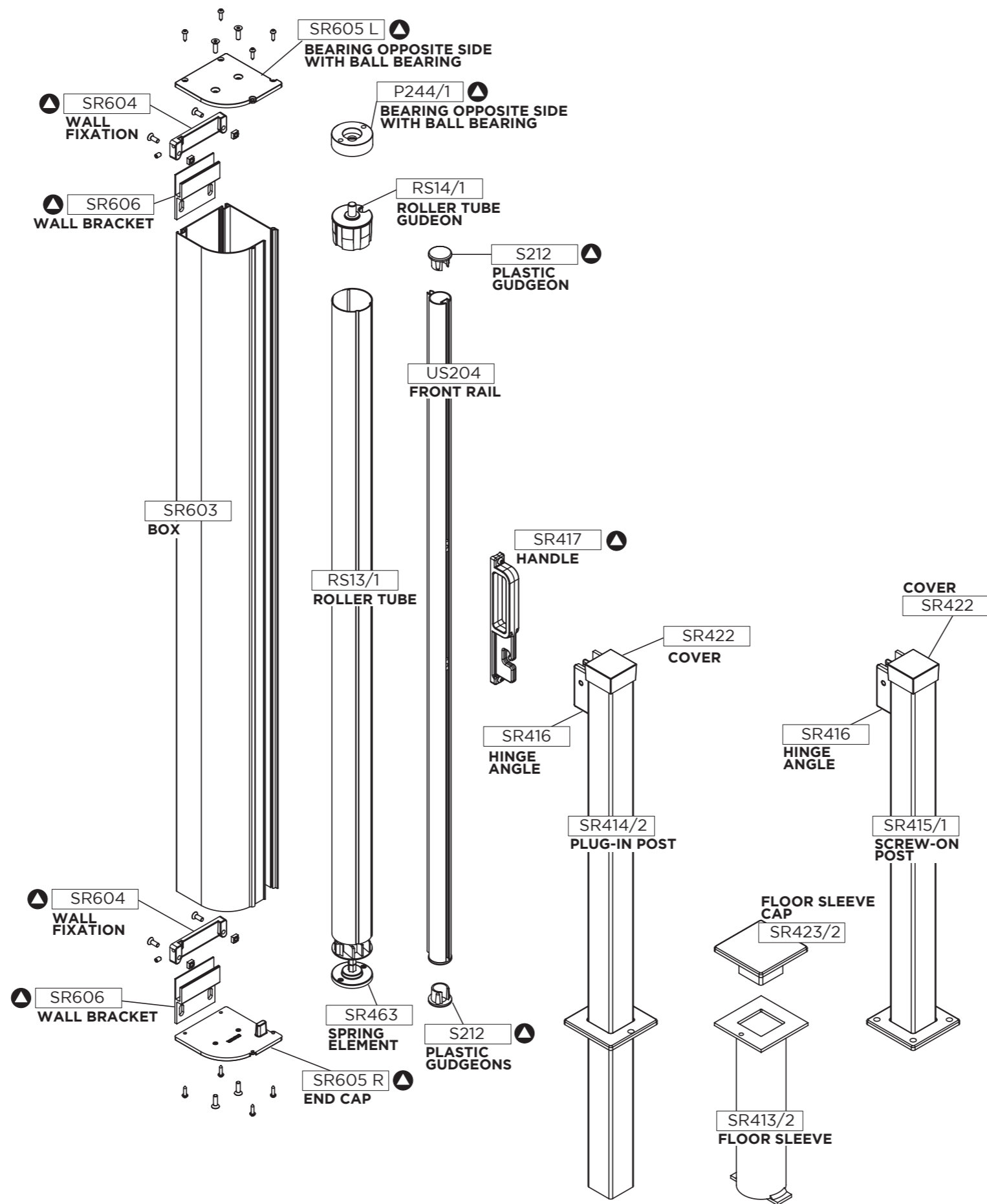
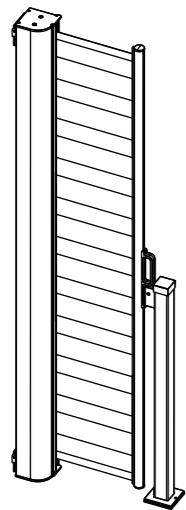




STOBAG SIRO

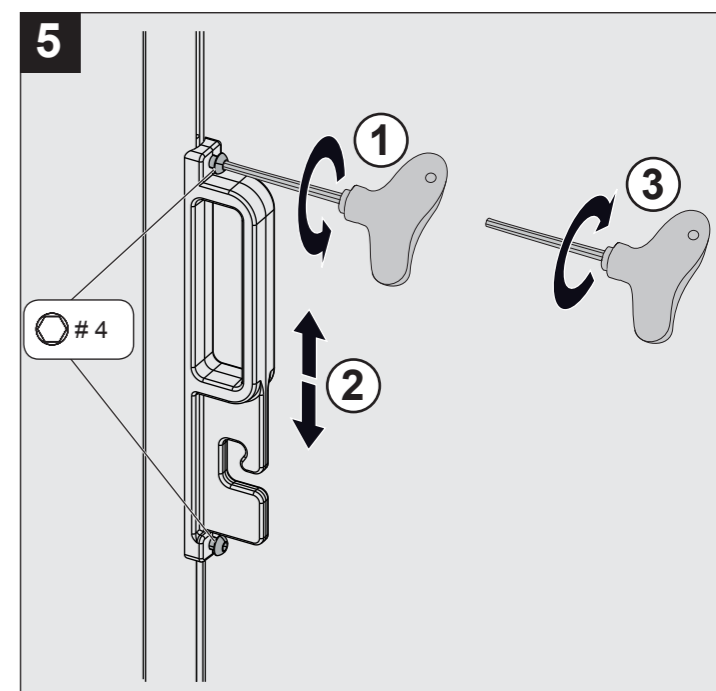
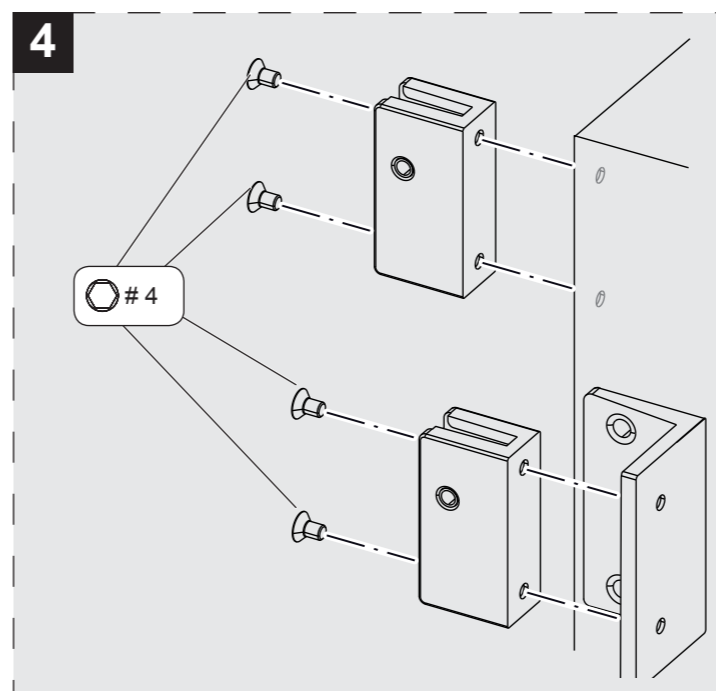
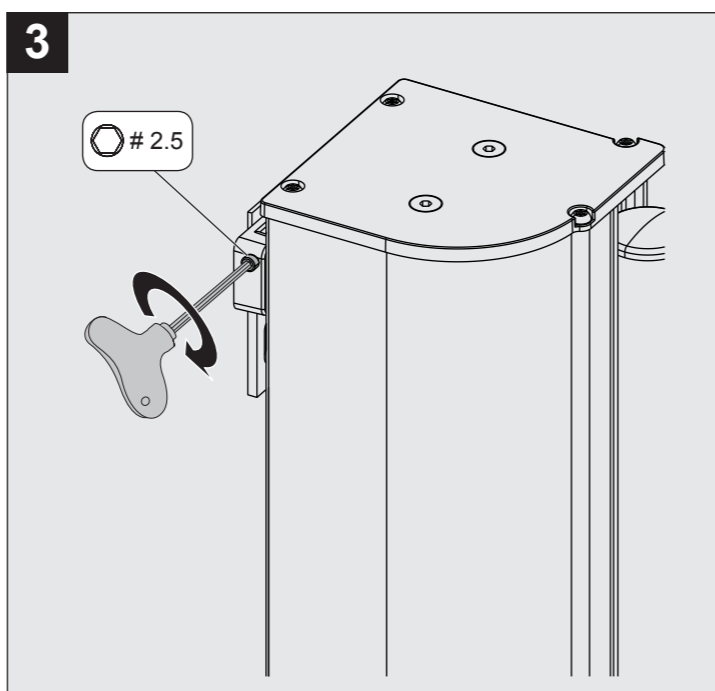
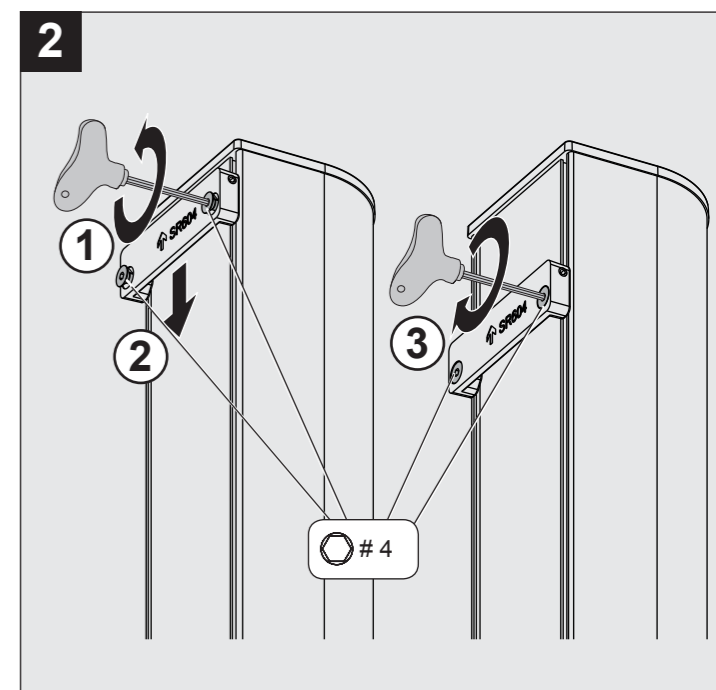
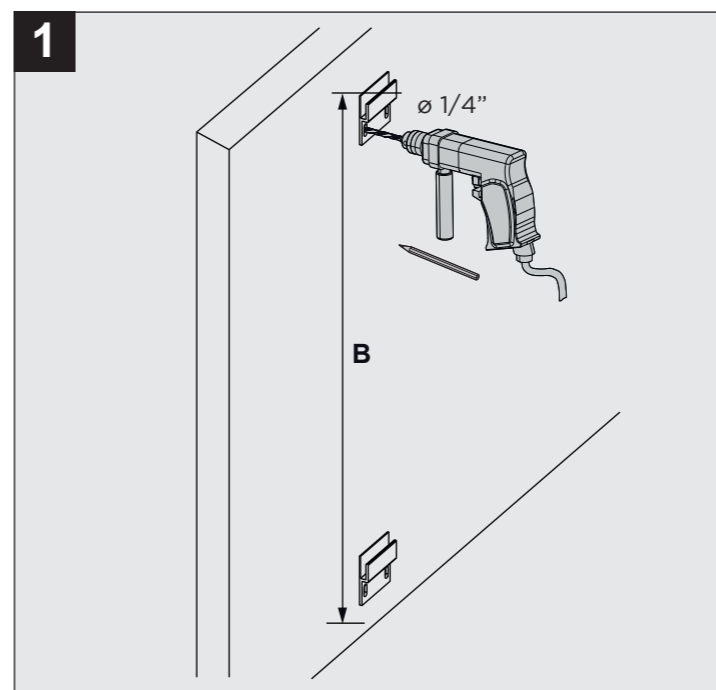
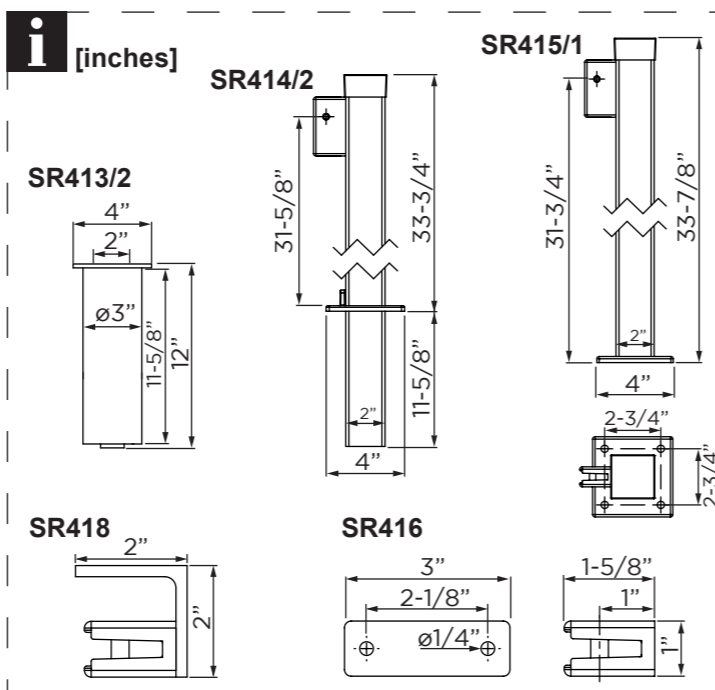
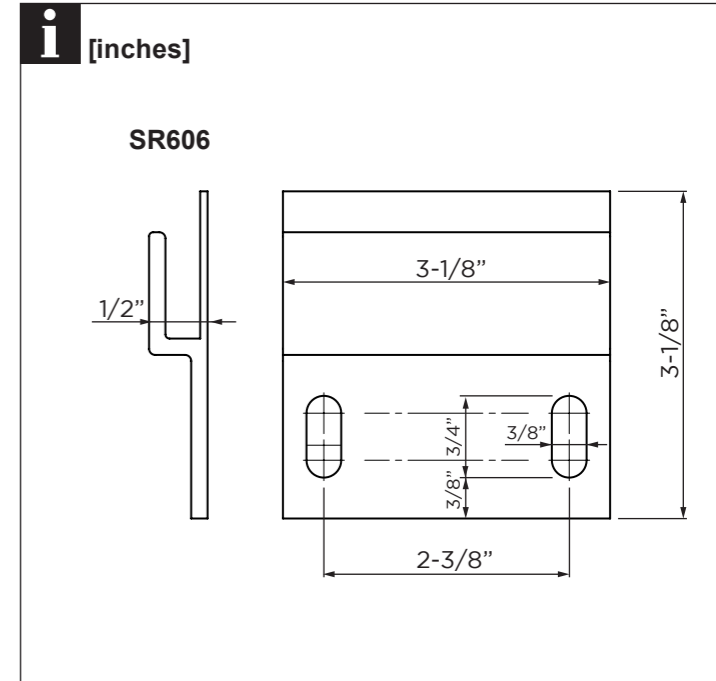
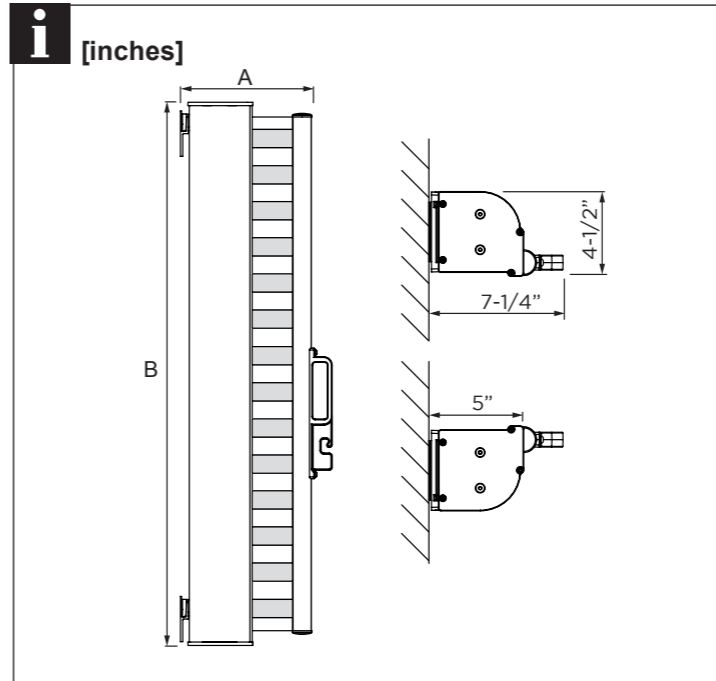
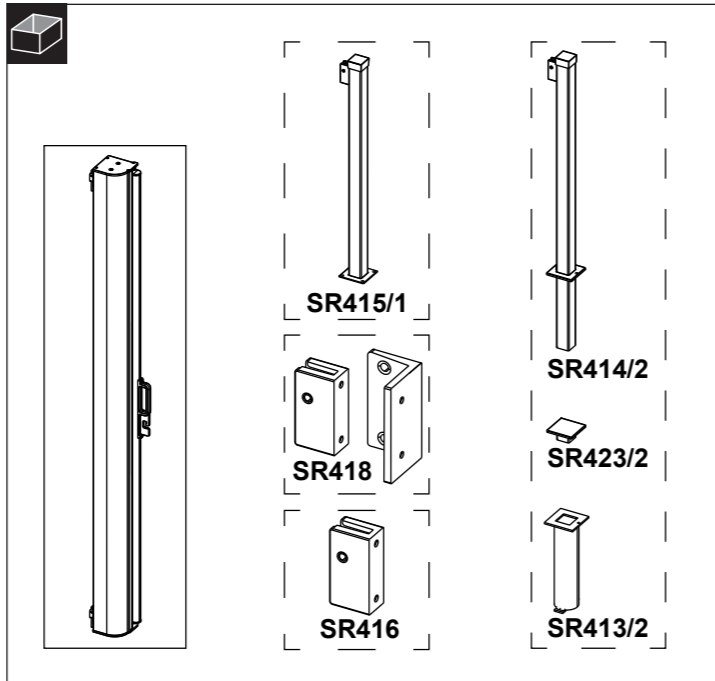
MANUAL SIDE AWNING SHADE SYSTEM





SR6000

Art. 252235 V02 2018-02-01
© STOBAG AG www.stobag.com



EN 13561:2004+A1:2008

INSTALLATION IS ONLY TO BE CARRIED OUT BY TRAINED SPECIALISTS. IT IS EXTREMELY IMPORTANT THAT THE SAFETY INSTRUCTIONS IN THE OPERATING MANUAL BE FOLLOWED.

