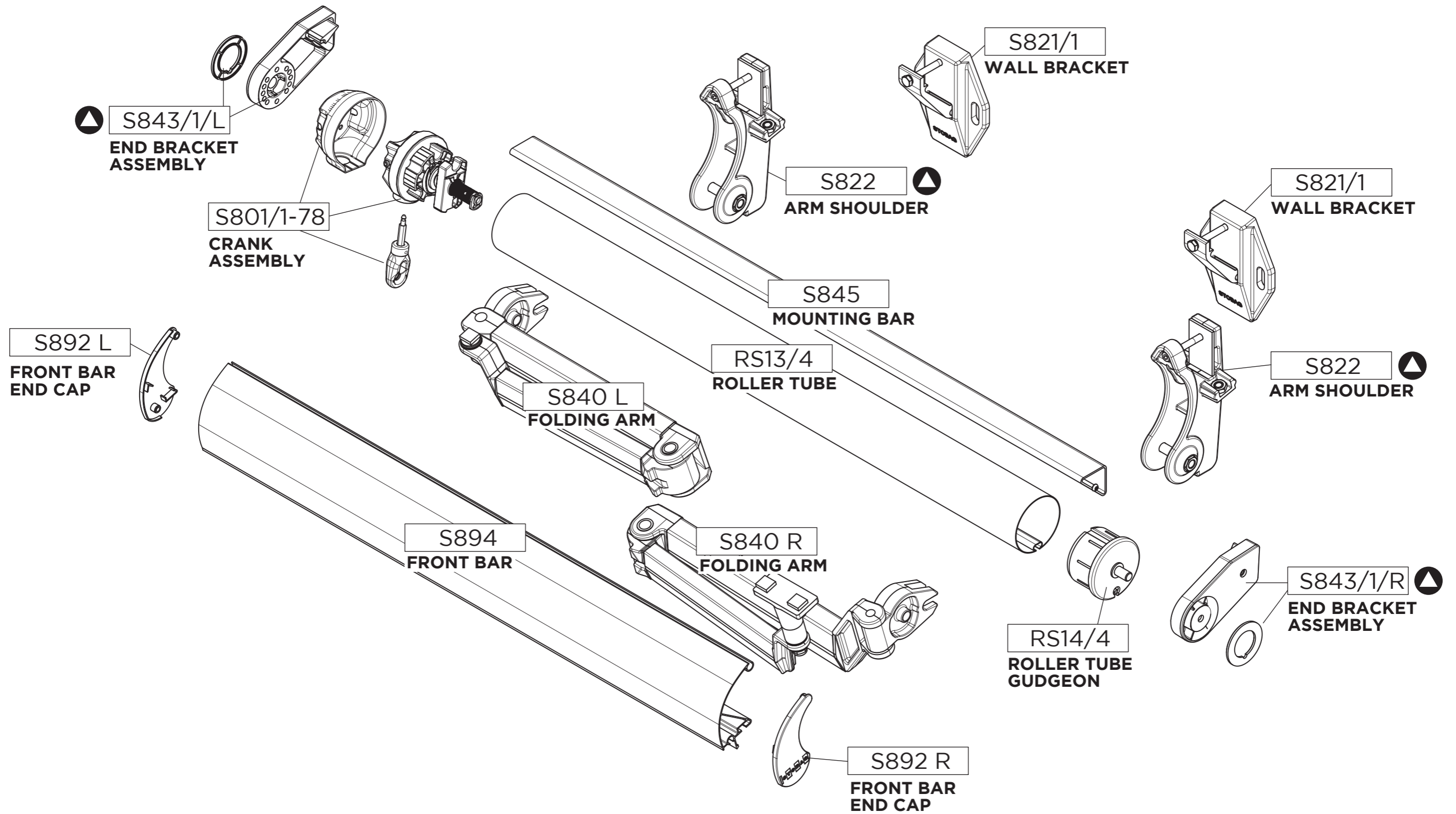
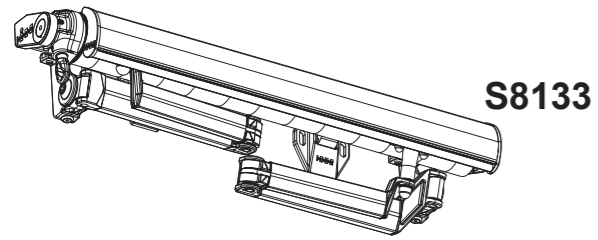




STOBAG SELECT PLUS

CRANK OPERATED OPEN ROLLER FOLDING ARM AWNING SYSTEM

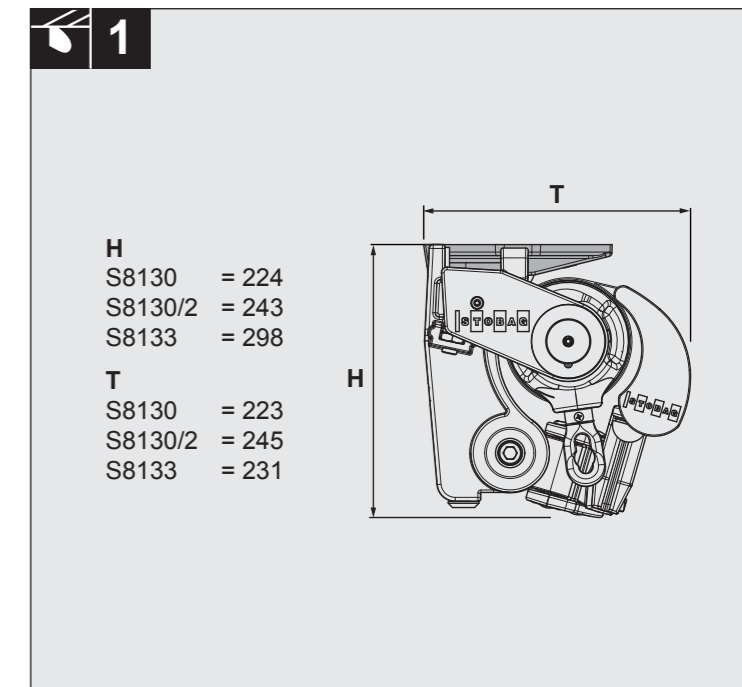
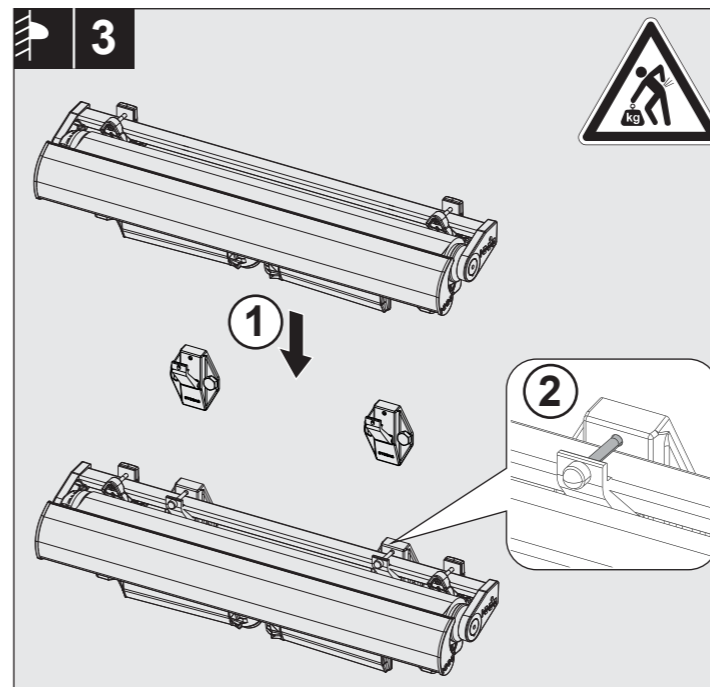
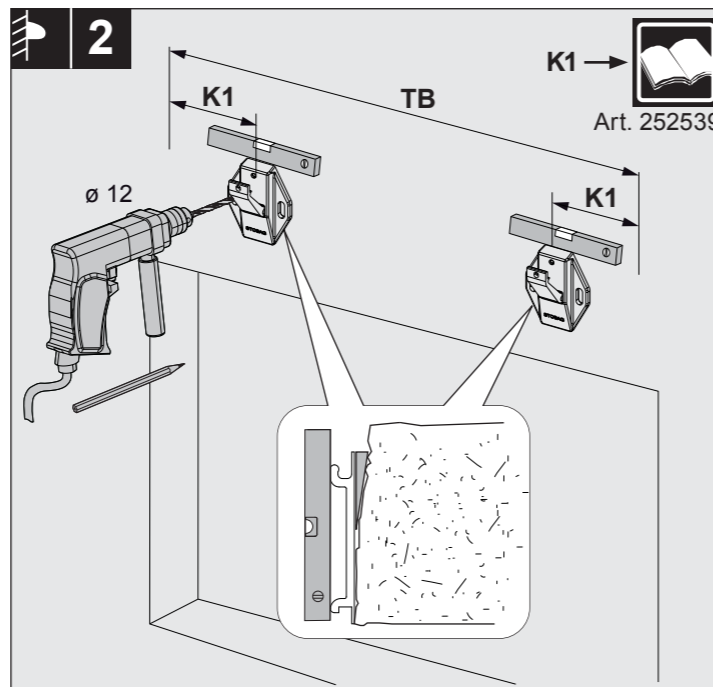
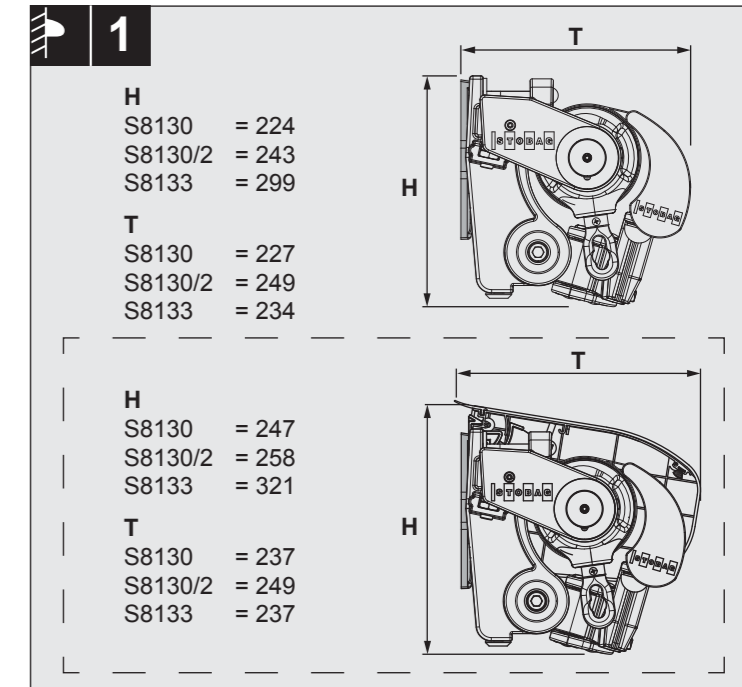
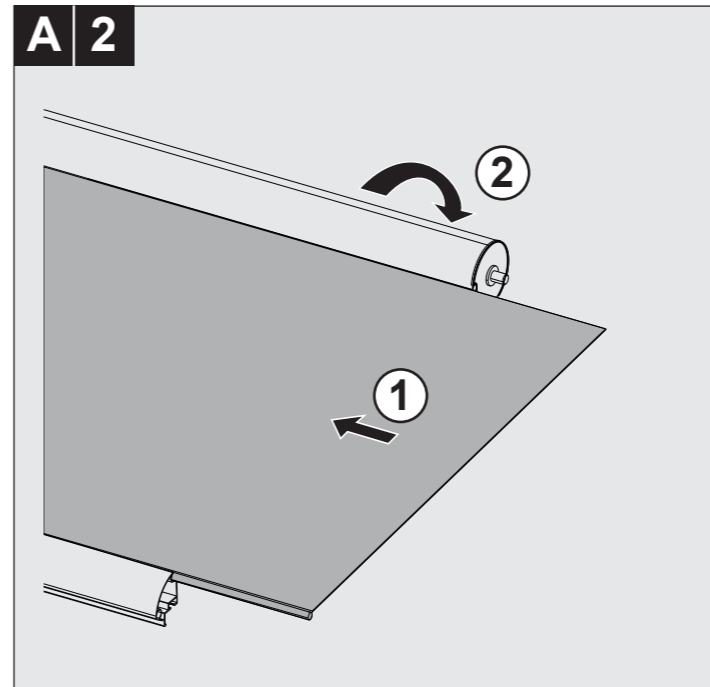
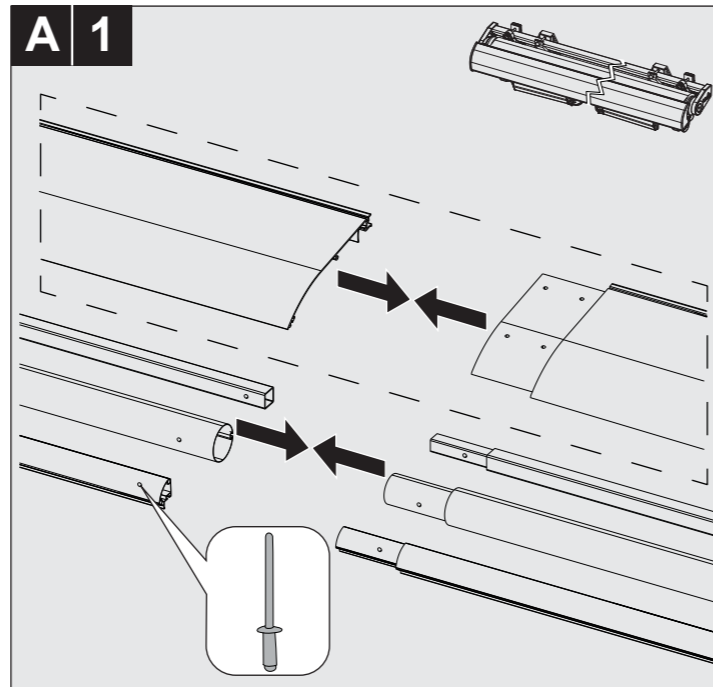
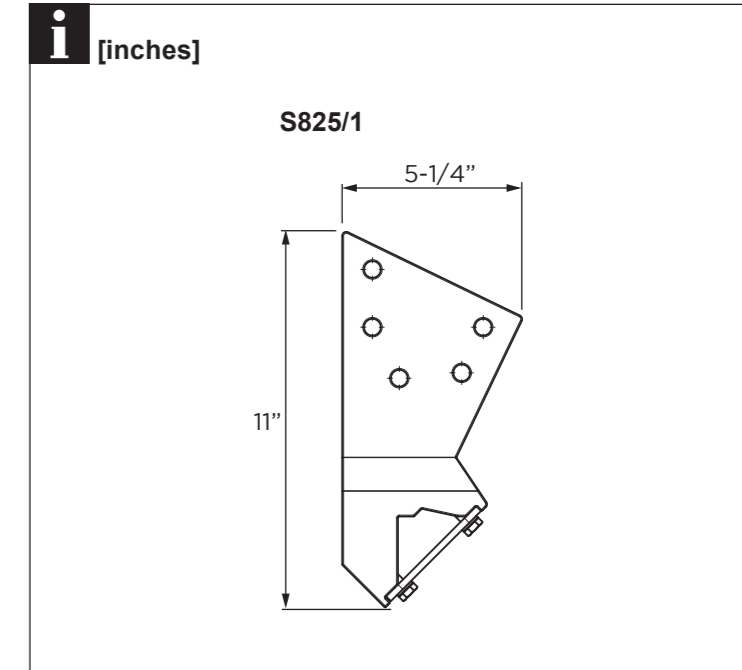
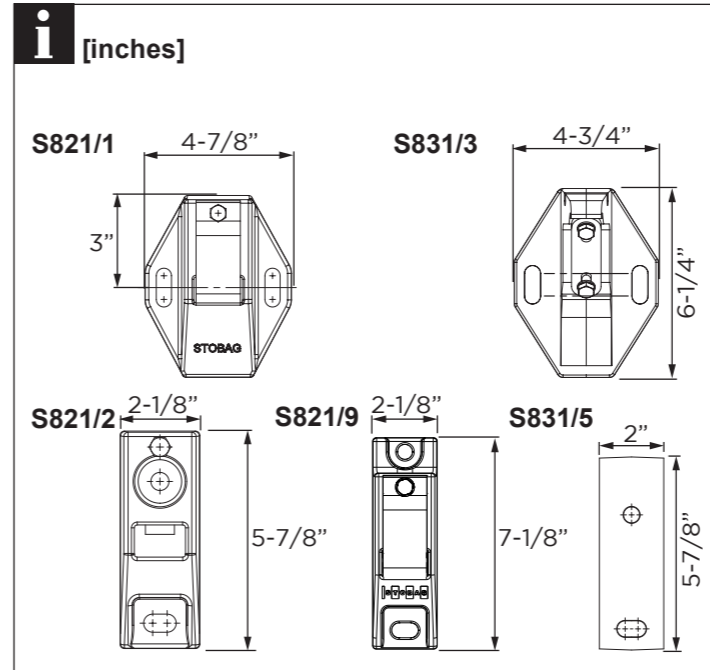
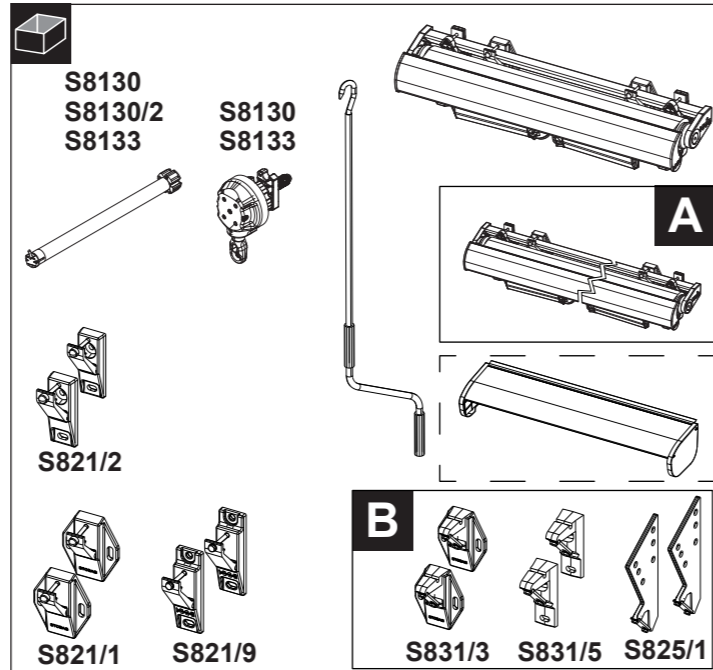




S8133

S8130 / S8130/2 / S8133

Art. 252846_V02 2016-11-10
© STOBAG AG www.stobag.com



INSTALLATION IS ONLY TO BE CARRIED OUT BY TRAINED SPECIALISTS. IT IS EXTREMELY IMPORTANT THAT THE SAFETY INSTRUCTIONS IN THE OPERATING MANUAL BE FOLLOWED.

