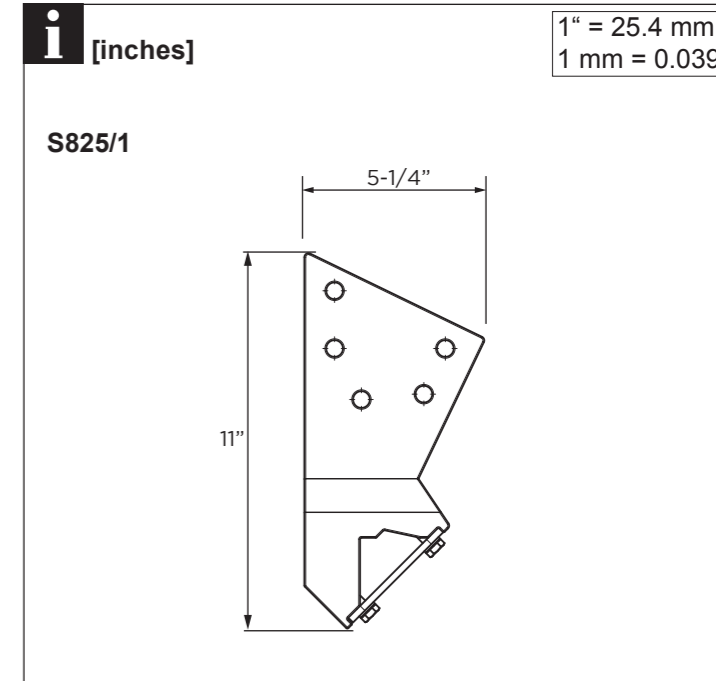
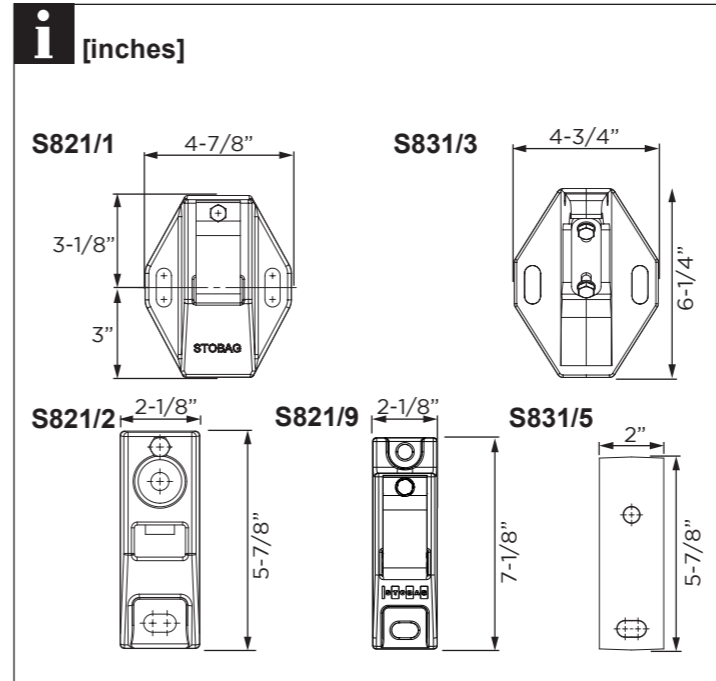
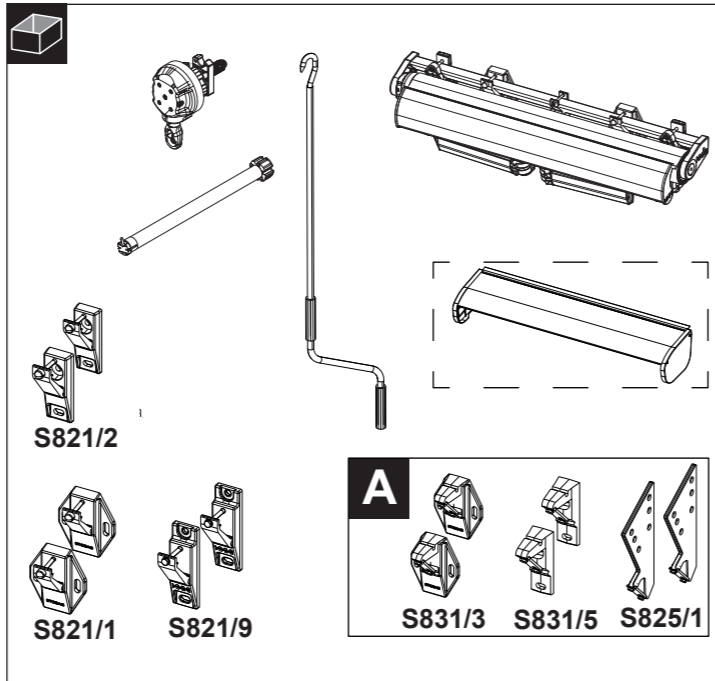


S8135

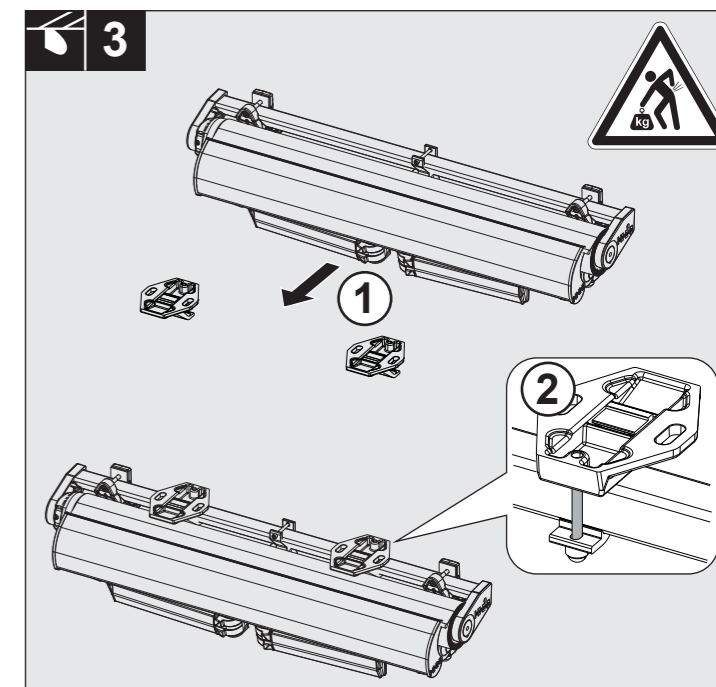
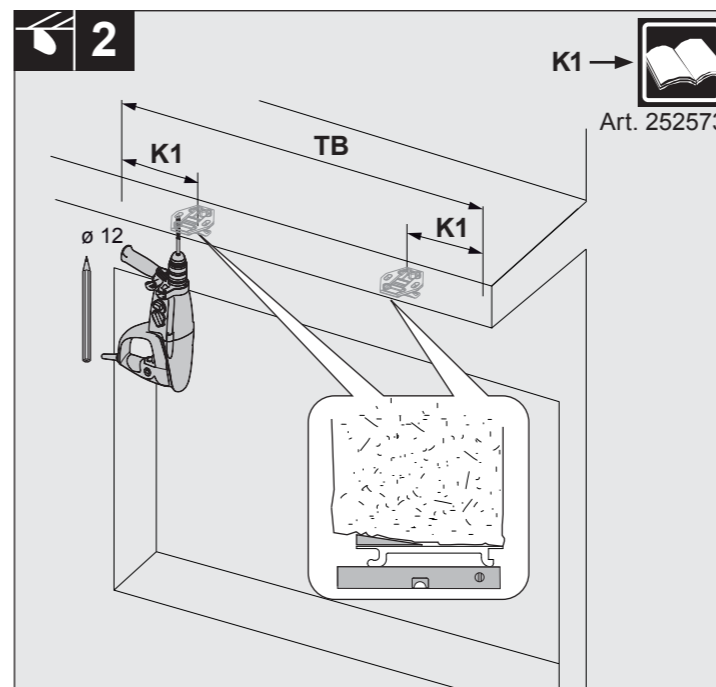
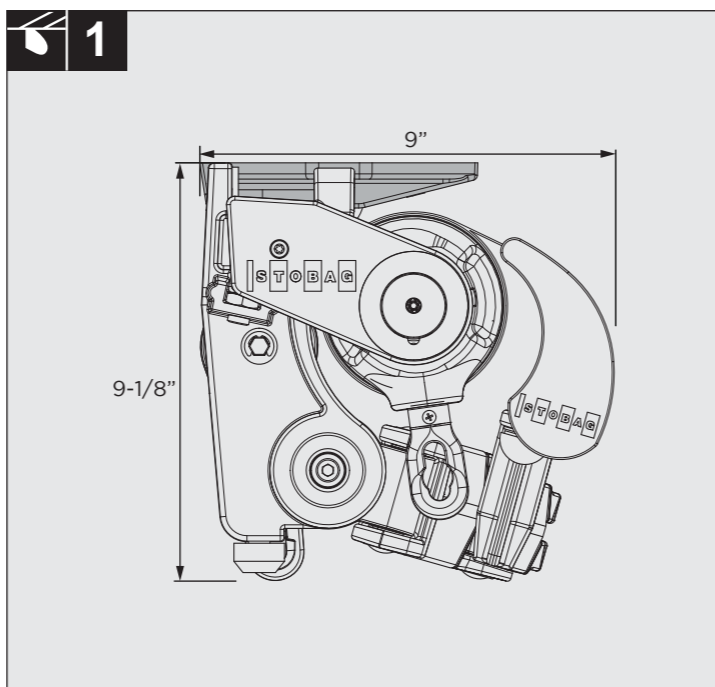
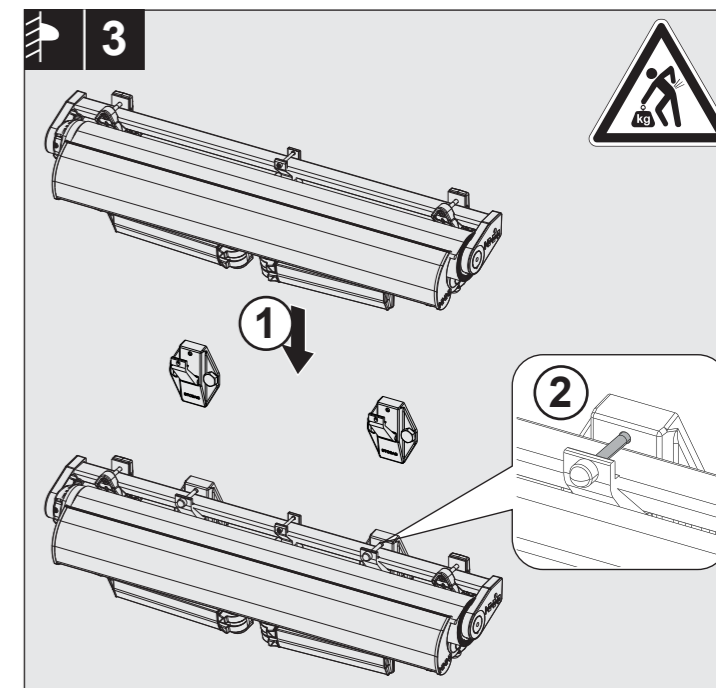
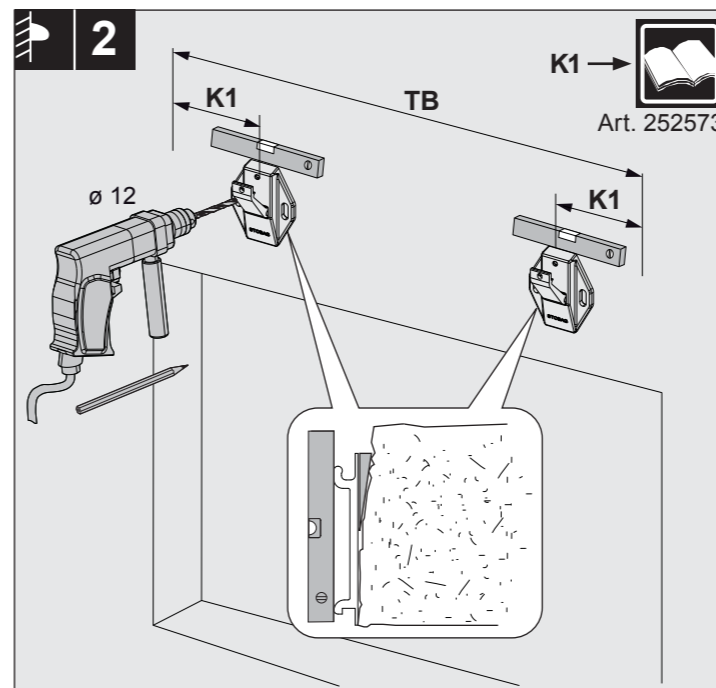
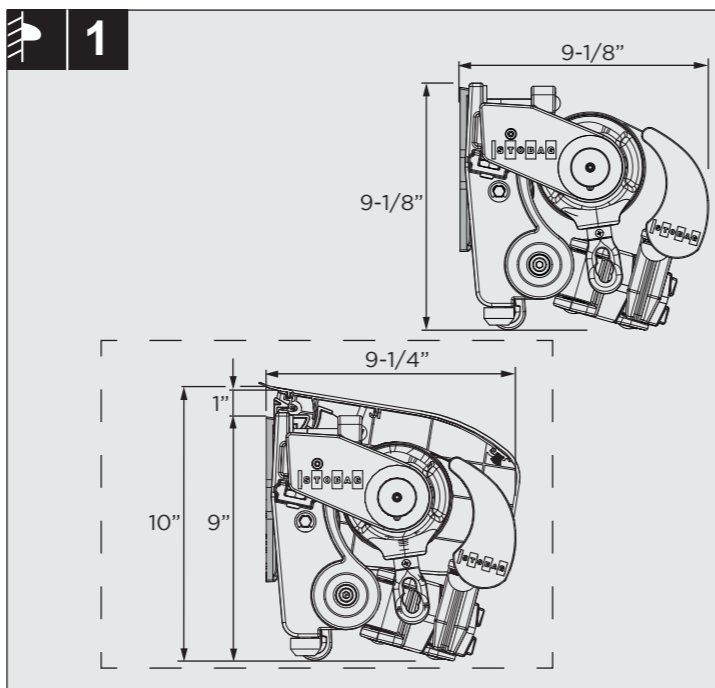
Art. 252844_V01 2016-11-10
© STOBAG AG www.stobag.com



1" = 25.4 mm
1 mm = 0.039"



EN 13561:2004+A1:2008



INSTALLATION IS ONLY TO BE CARRIED OUT BY TRAINED SPECIALISTS. IT IS EXTREMELY IMPORTANT THAT THE SAFETY INSTRUCTIONS IN THE OPERATING MANUAL BE FOLLOWED.

