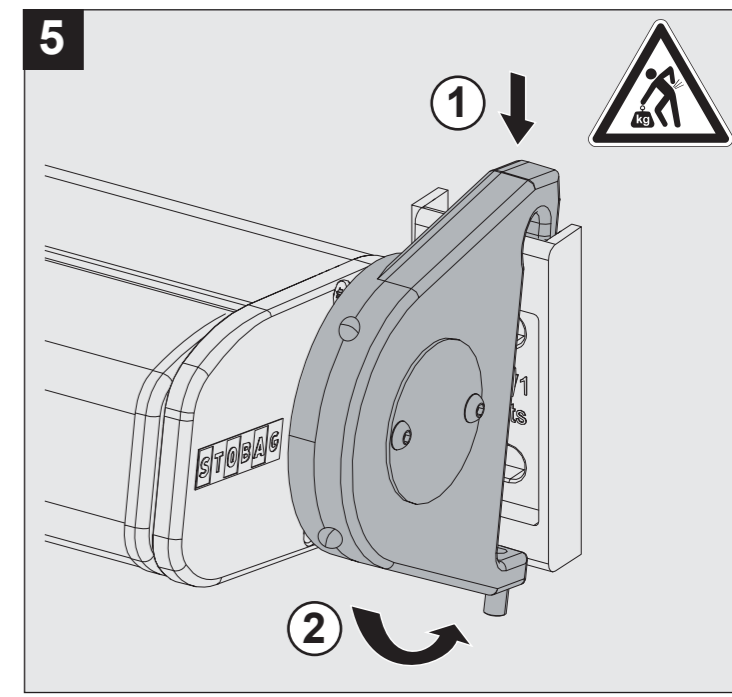
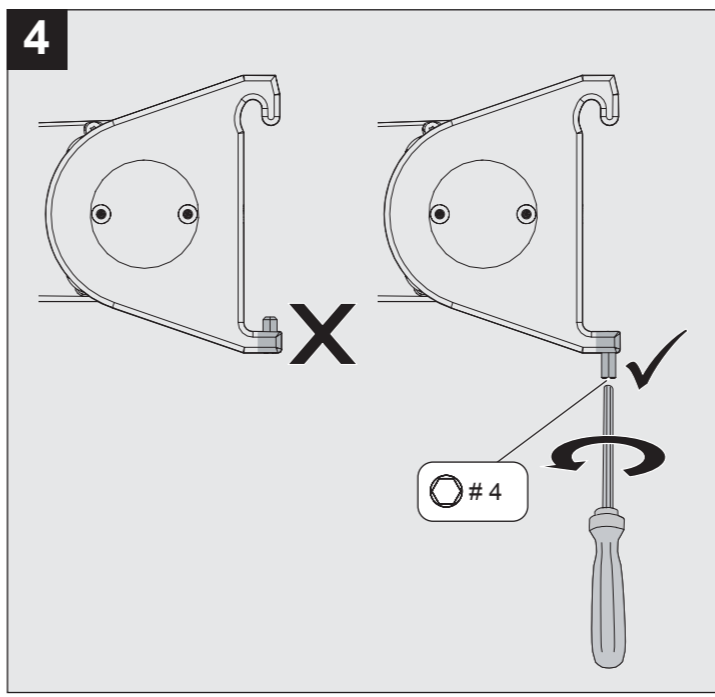
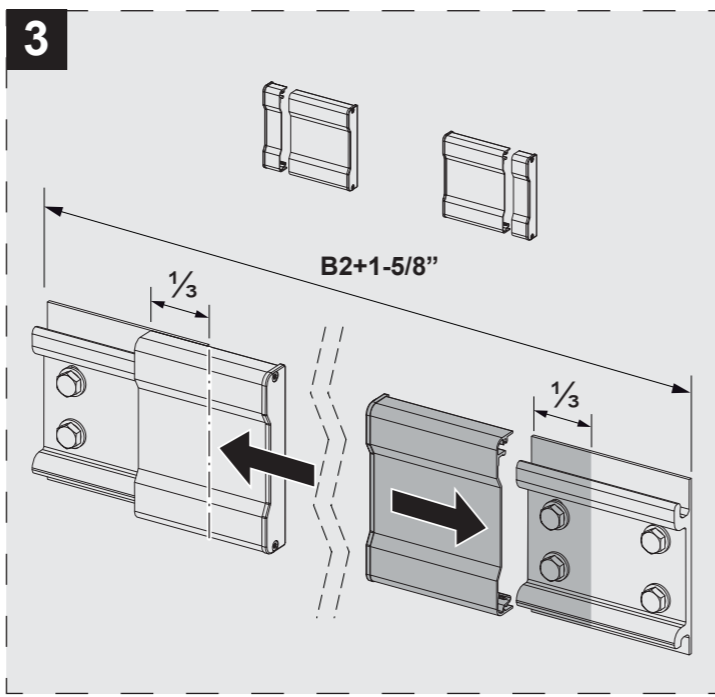
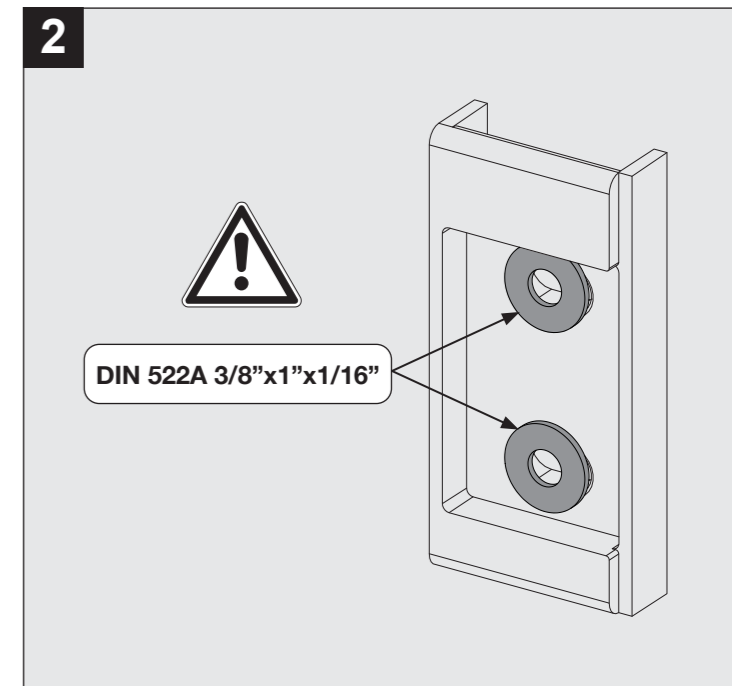
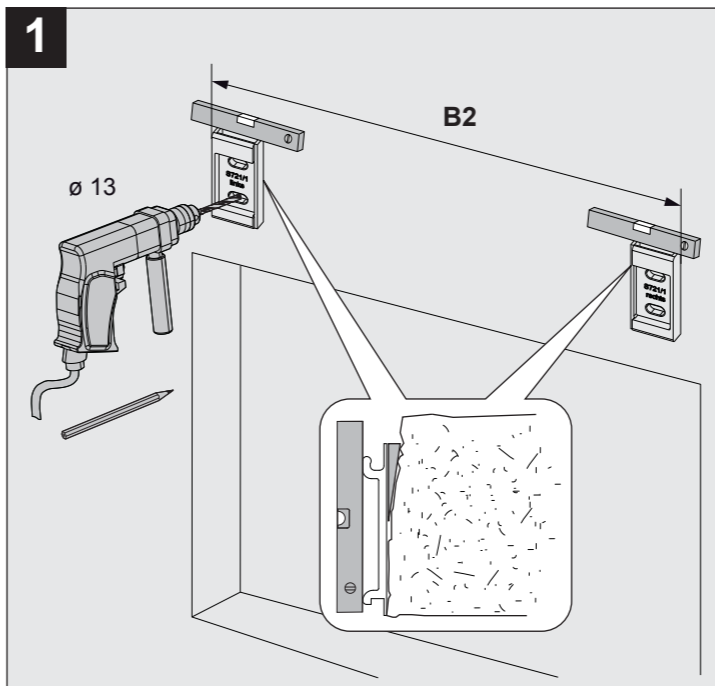
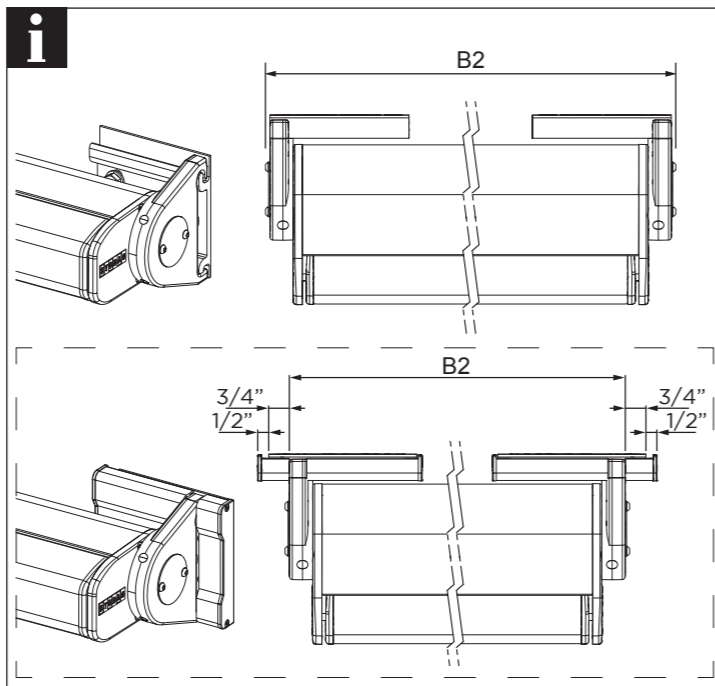
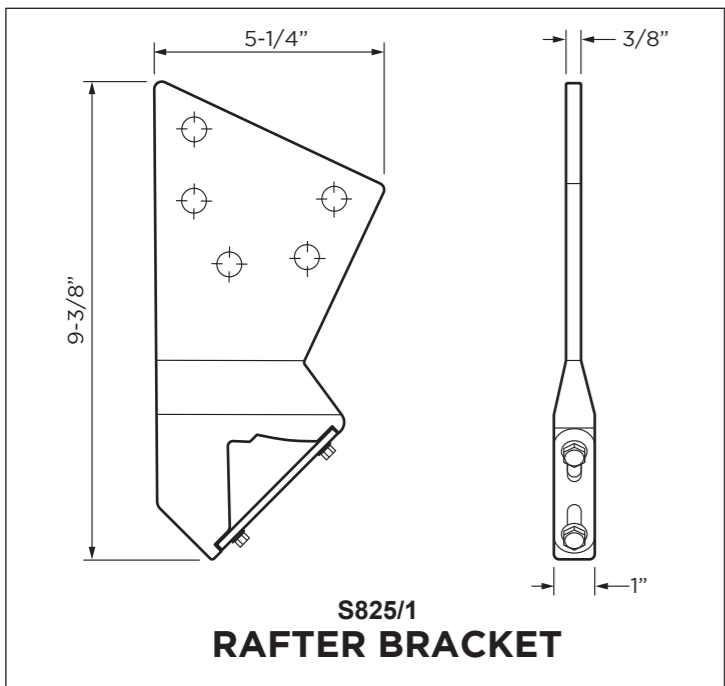
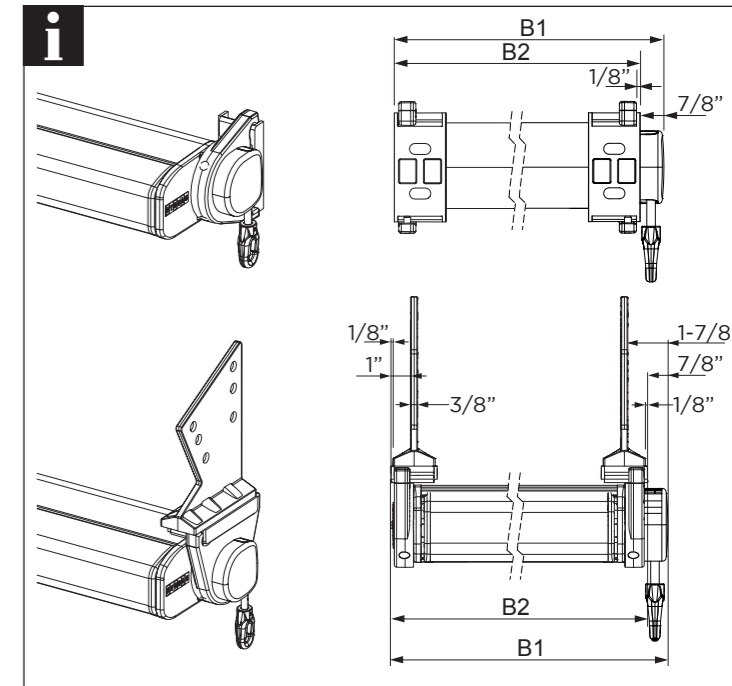
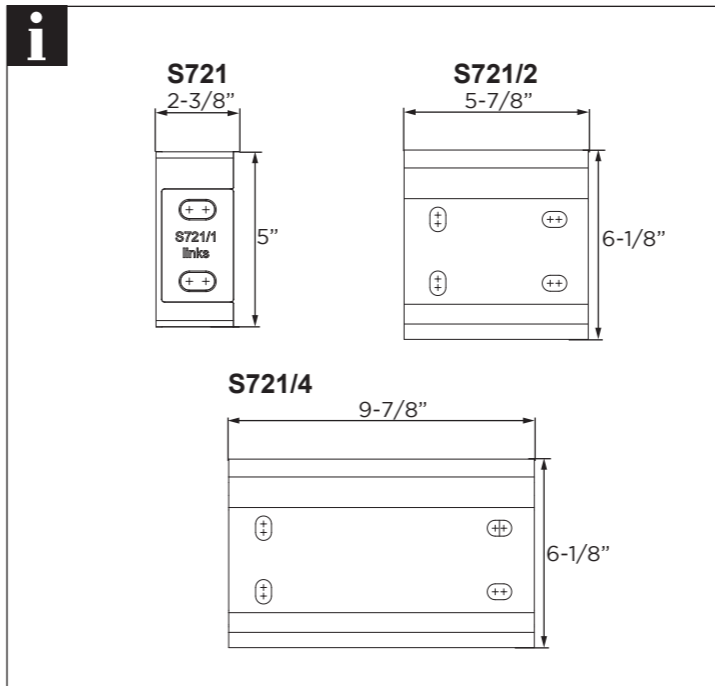
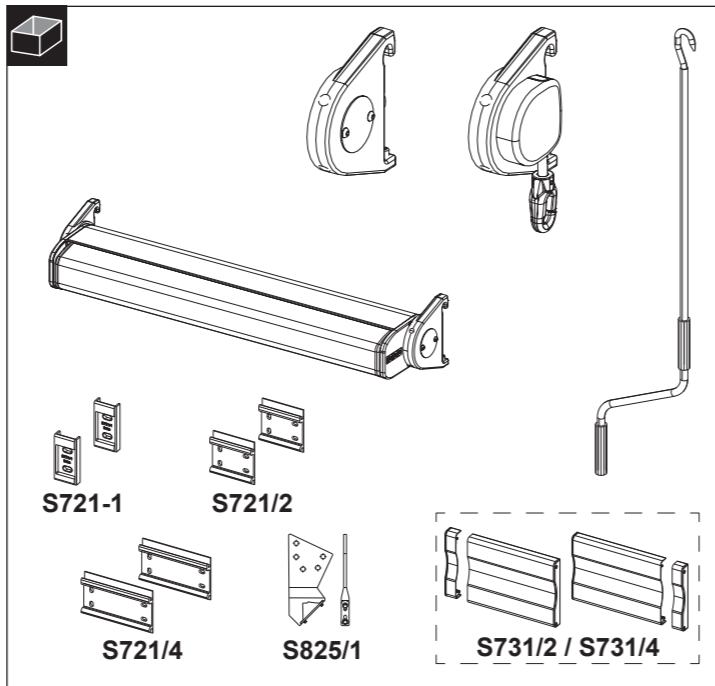
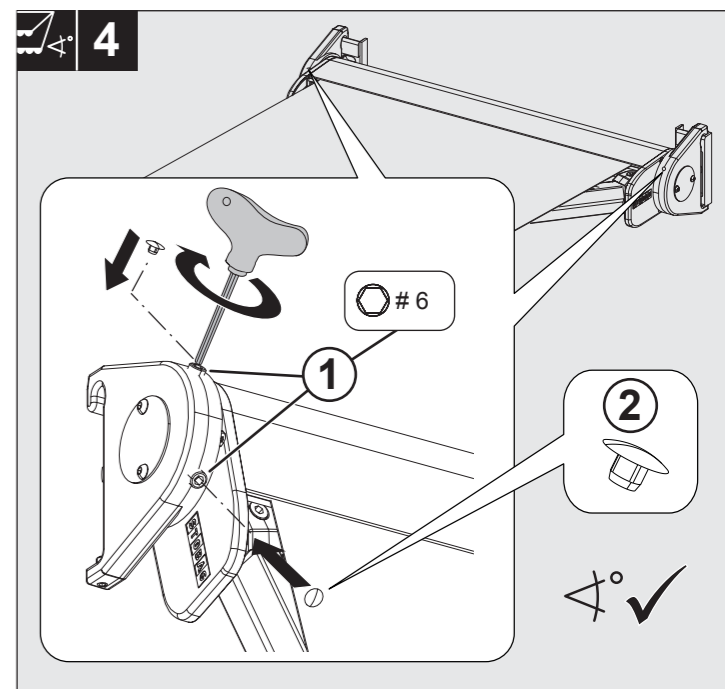
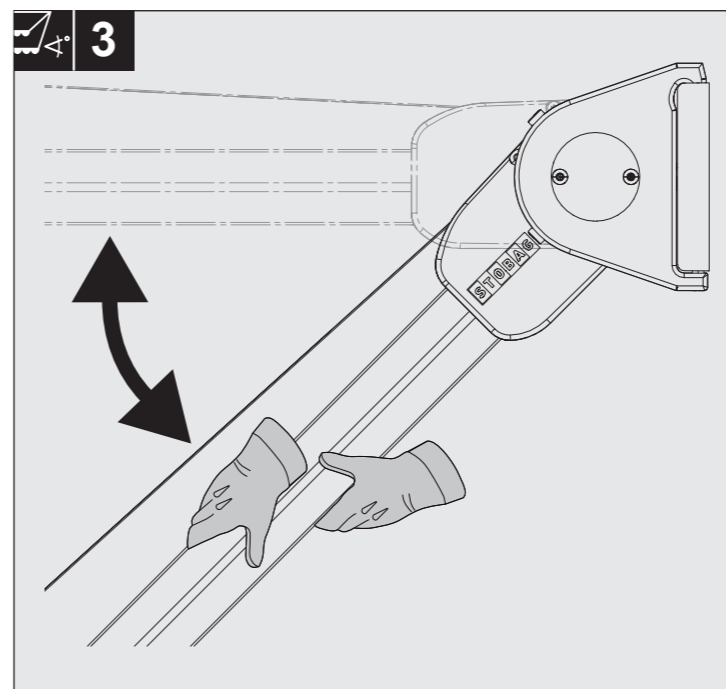
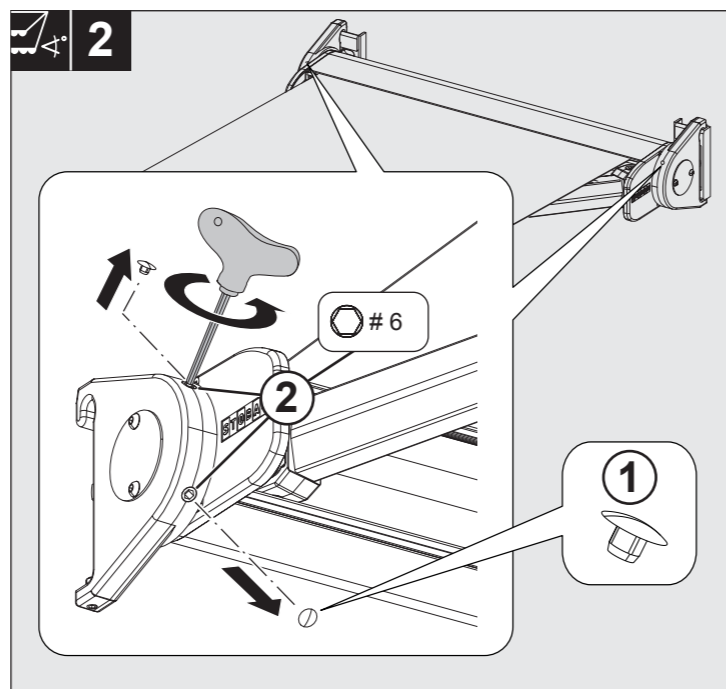
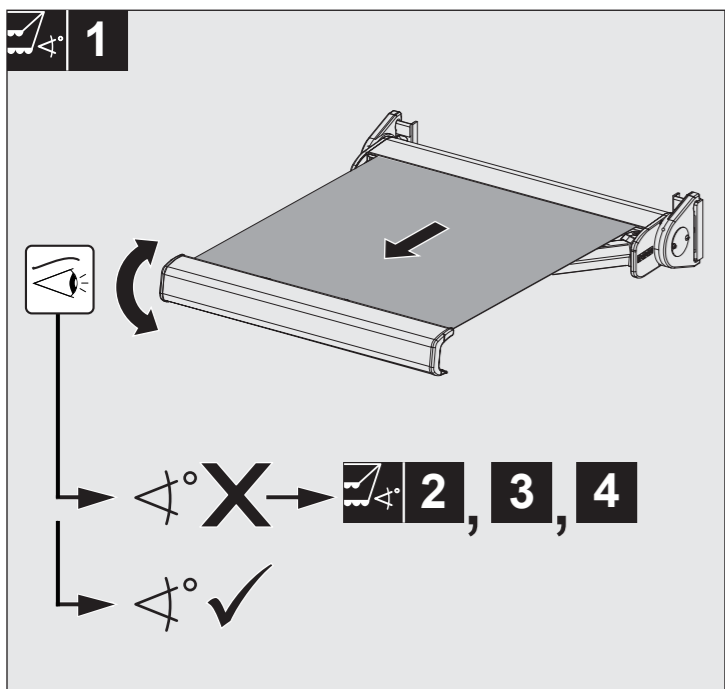
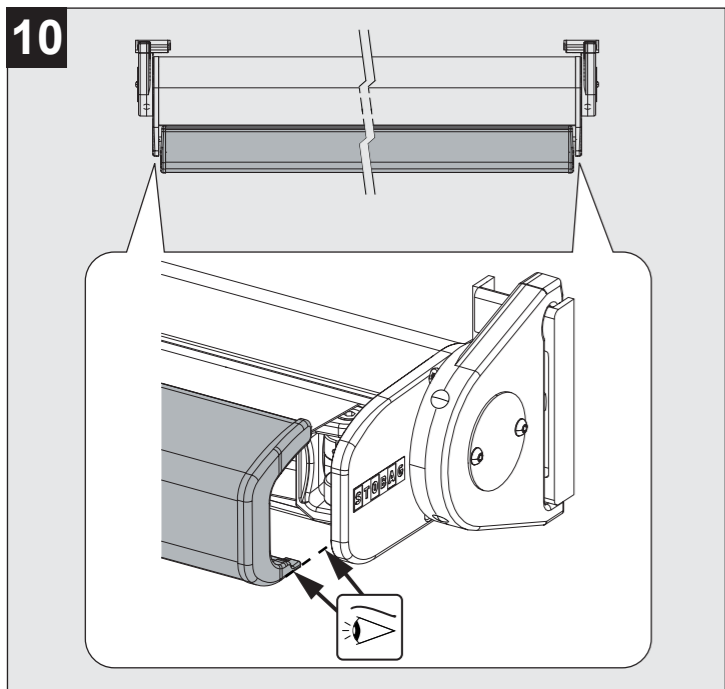
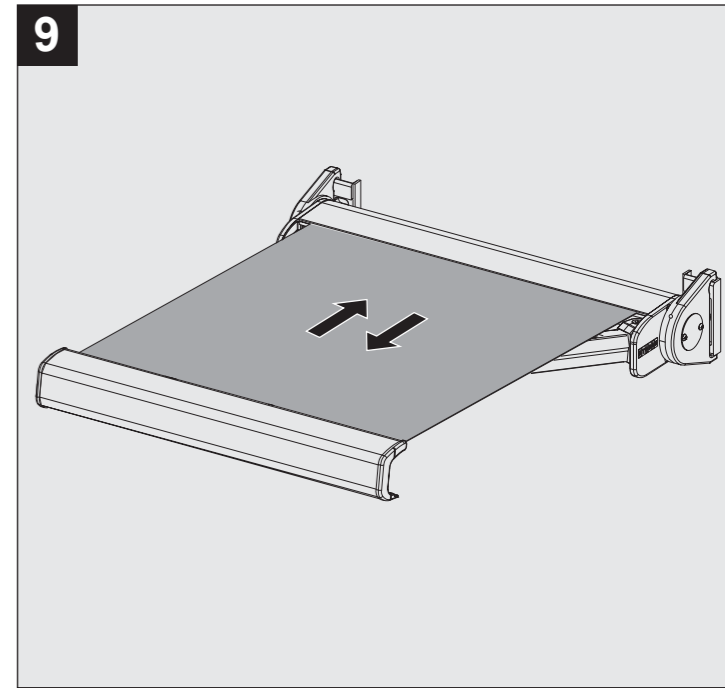
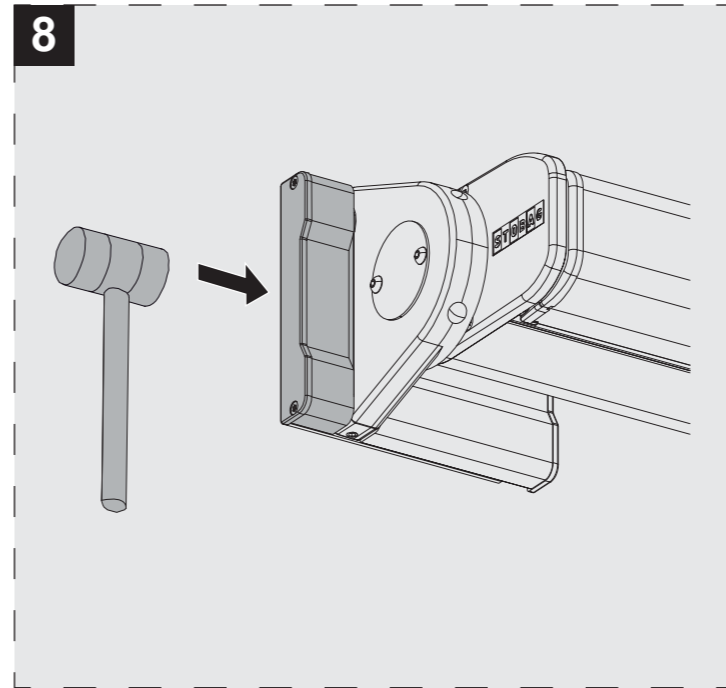
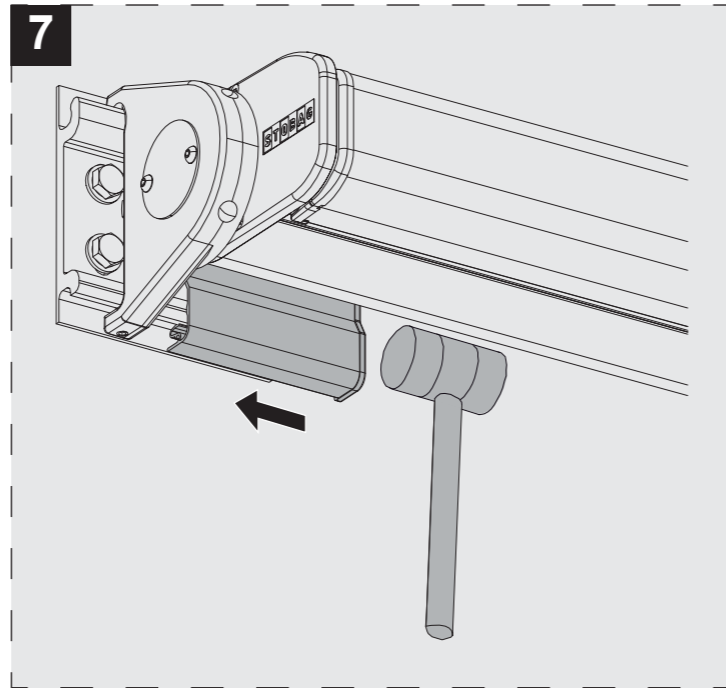
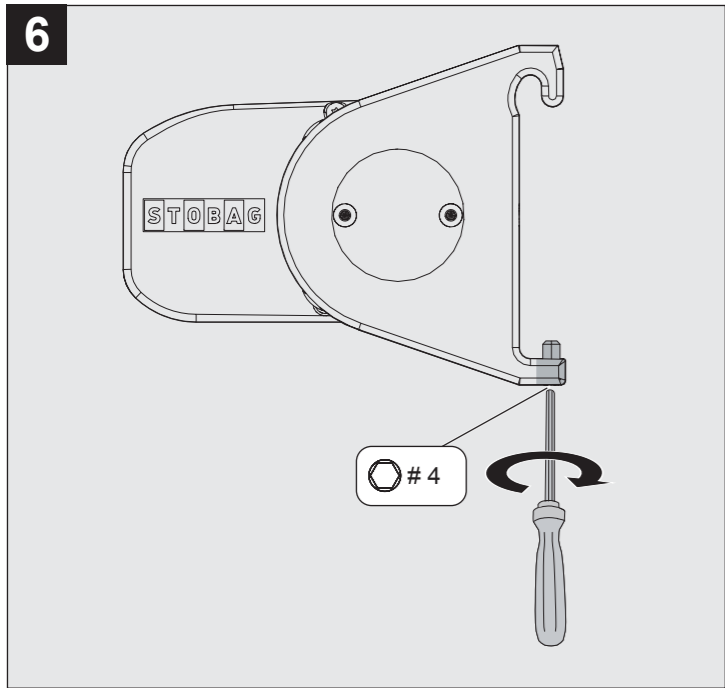


BX1500
 Art. 252956 V01.2 2020-04-01
 © STOBAG AG www.stobag.com



EN 13561:2004+A1:2008

INSTALLATION IS ONLY TO BE CARRIED OUT BY TRAINED SPECIALISTS. IT IS EXTREMELY IMPORTANT THAT THE SAFETY INSTRUCTIONS IN THE OPERATING MANUAL BE FOLLOWED.





STOBAG PURABOX

CRANK OPERATED FULL CASSETTE FOLDING ARM AWNING SYSTEM

