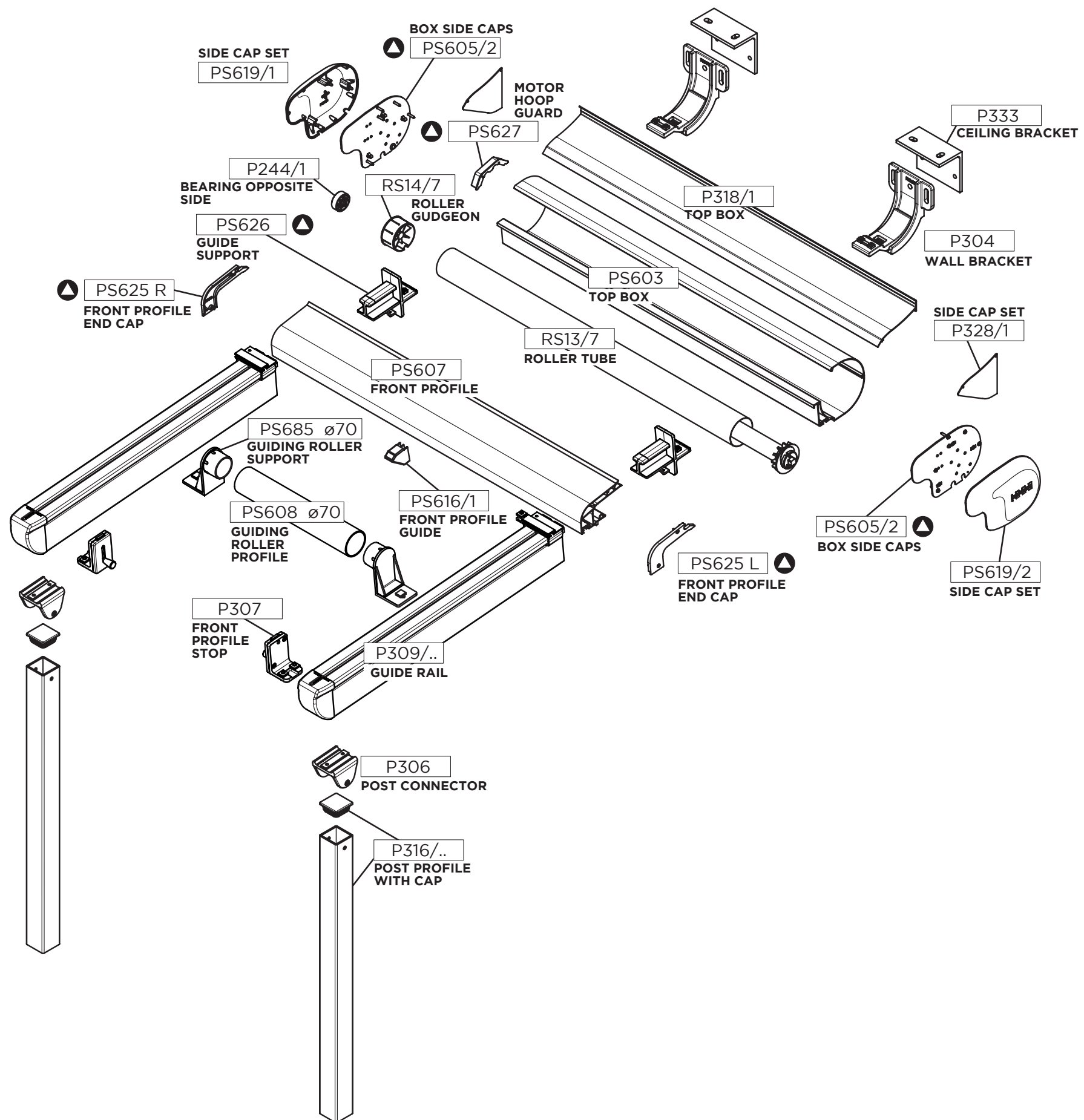
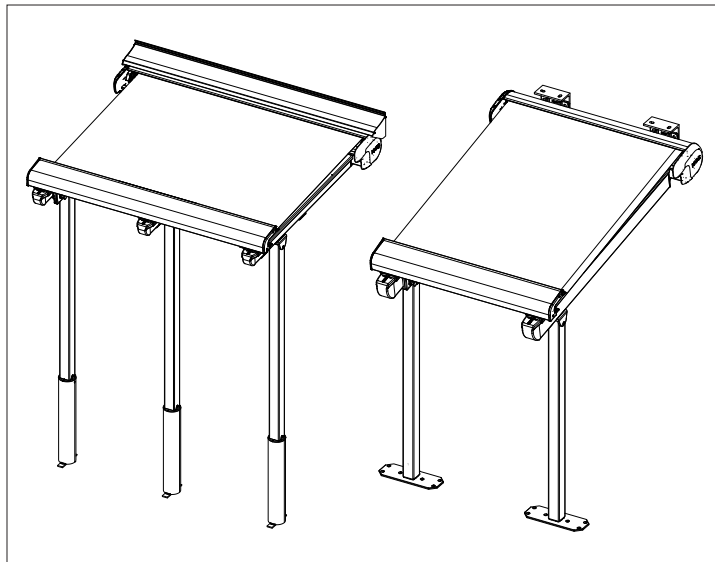


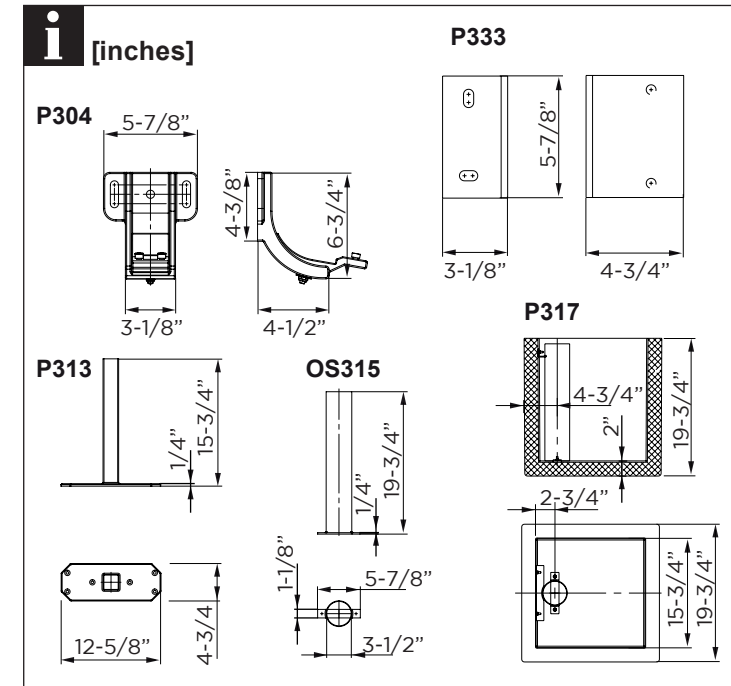
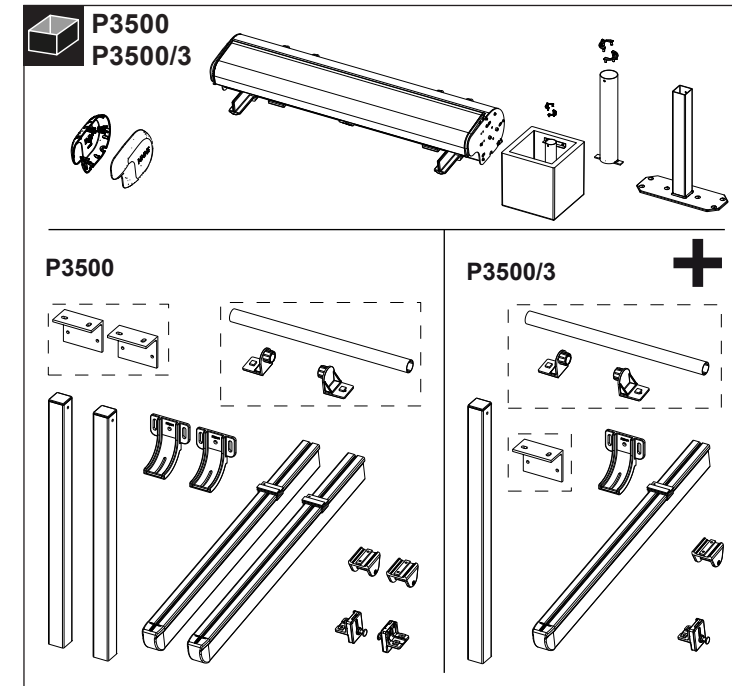
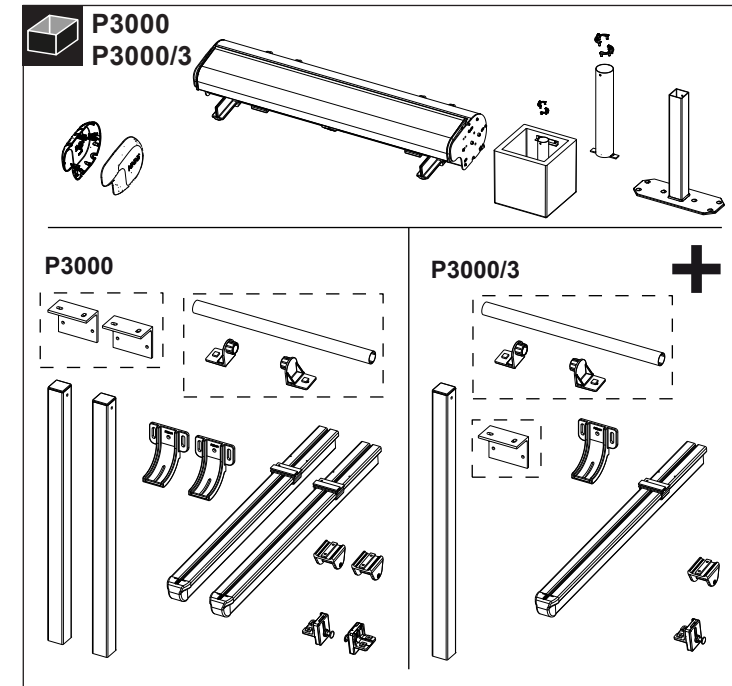
STOBAG PERGOLINO

MOTORIZED PERGOLA AWNING SYSTEM

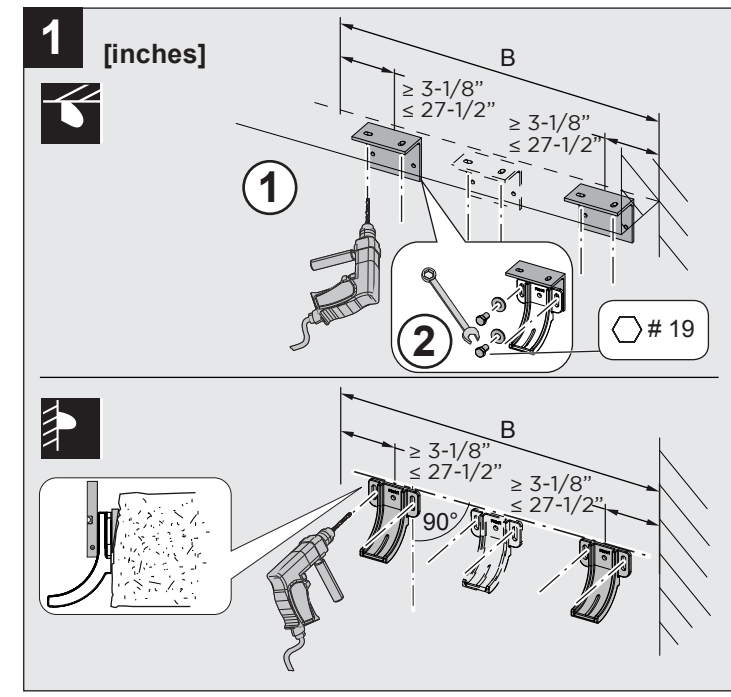
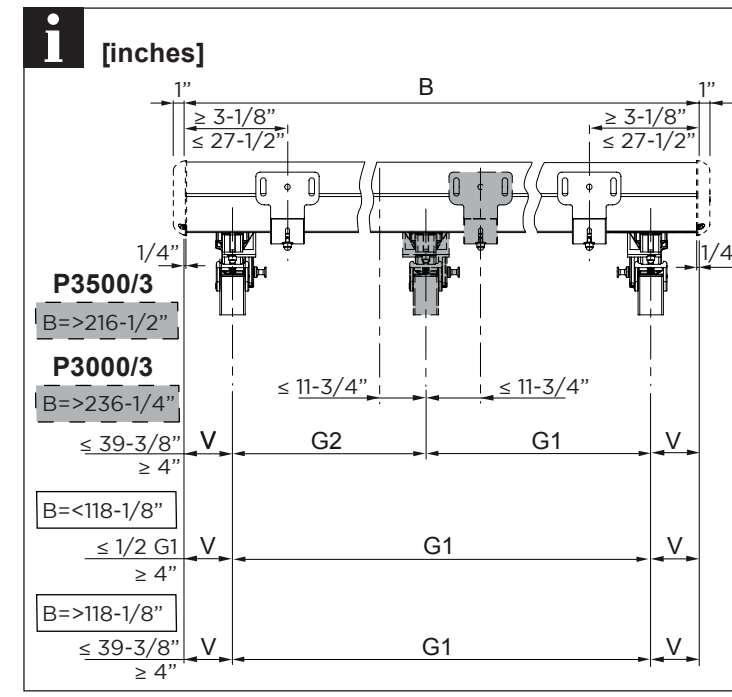
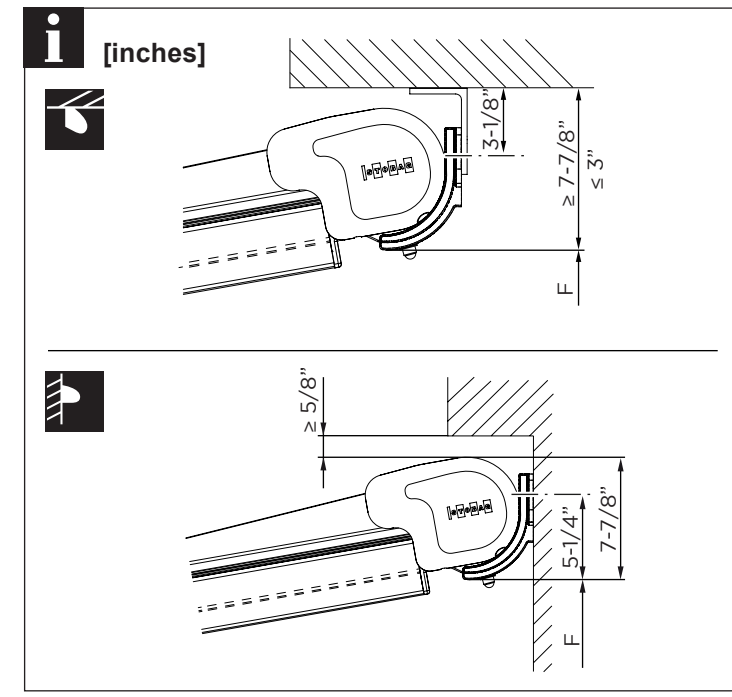




P3000, P3500
 Art. 253695 V00 2014-06-26
 © STOBAG AG www.stobag.com



EN 13561:2004+A1:2008 CE



INSTALLATION IS ONLY TO BE CARRIED OUT BY TRAINED SPECIALISTS. IT IS EXTREMELY IMPORTANT THAT THE SAFETY INSTRUCTIONS IN THE OPERATING MANUAL BE FOLLOWED.

