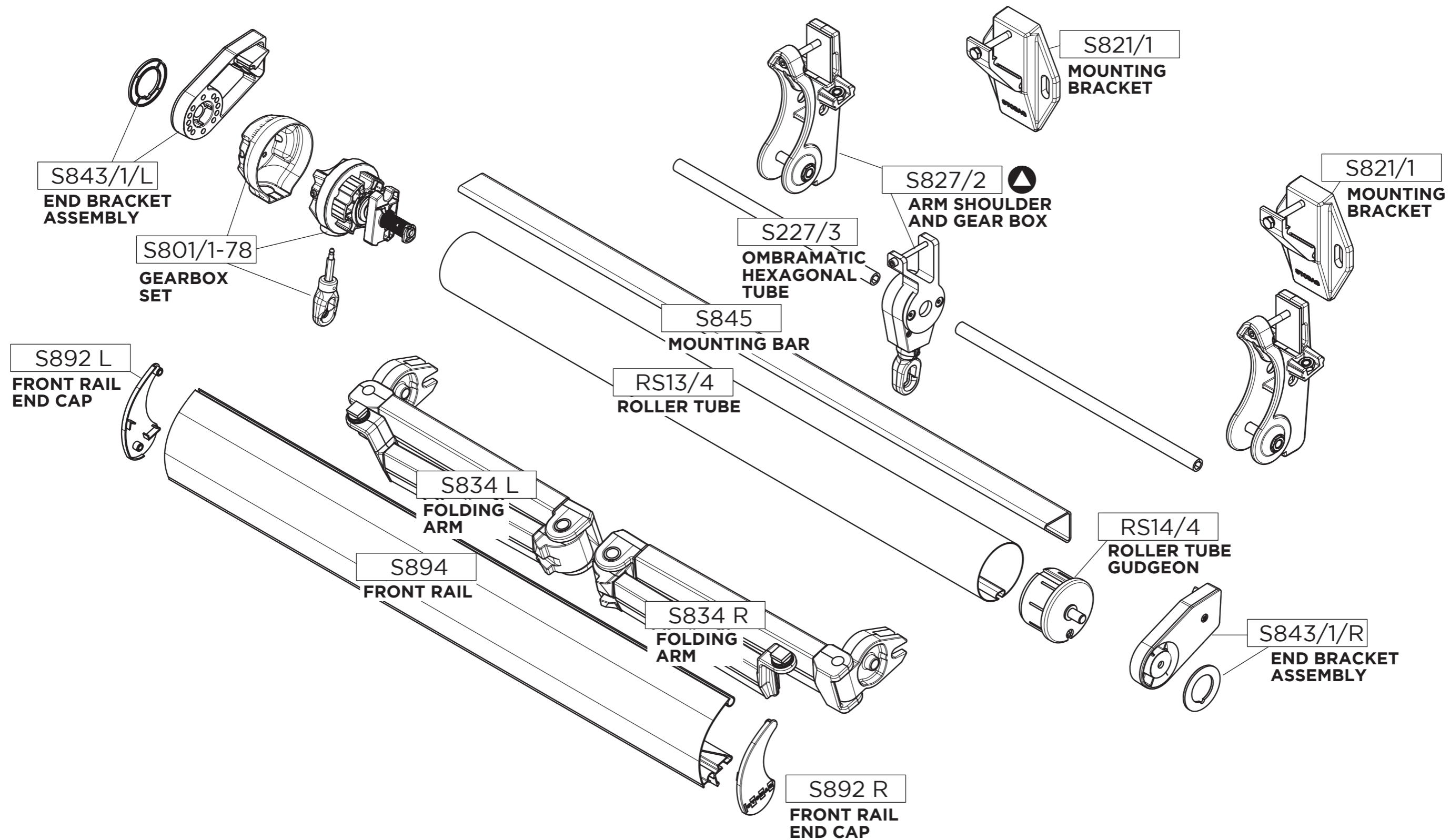
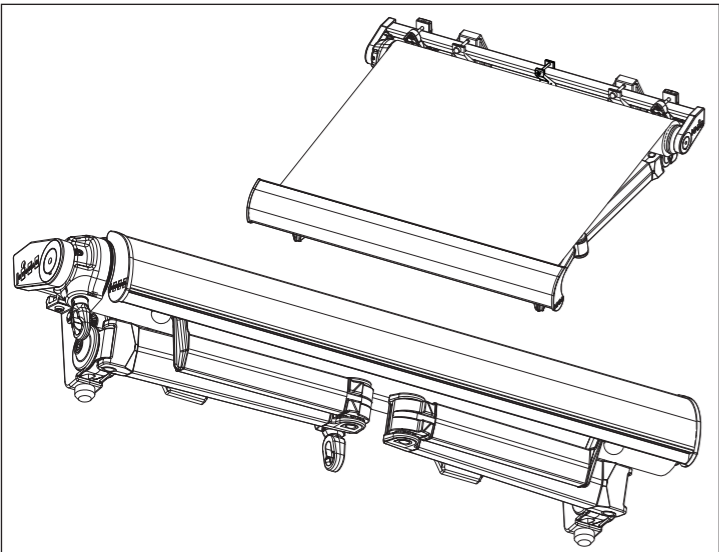




# STOBAG OMBRAMATIC

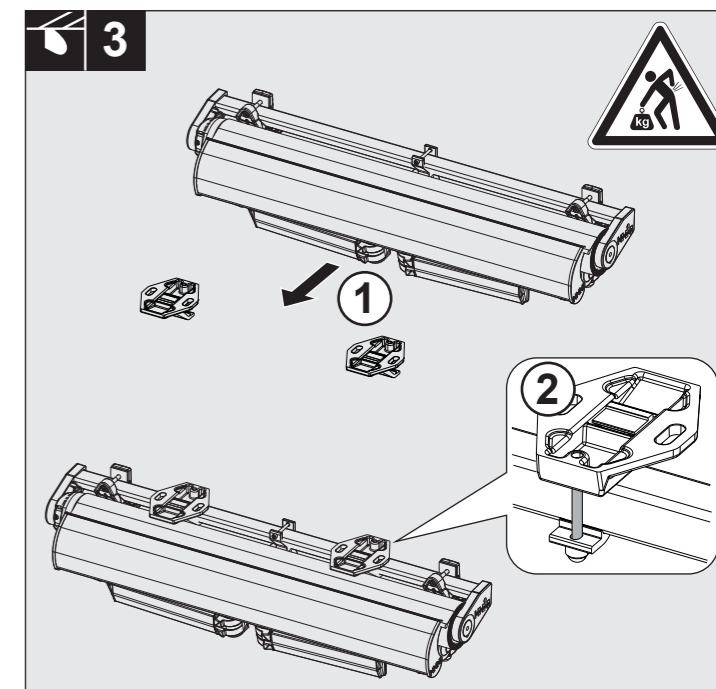
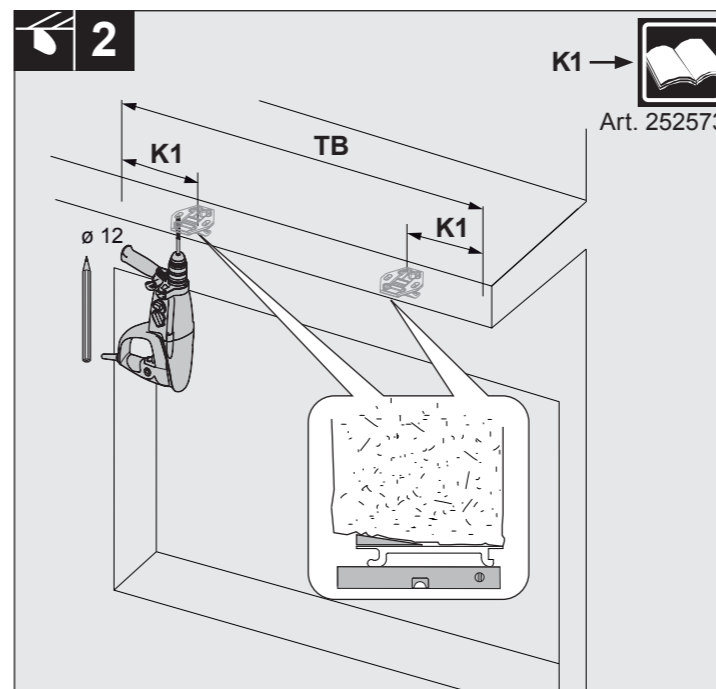
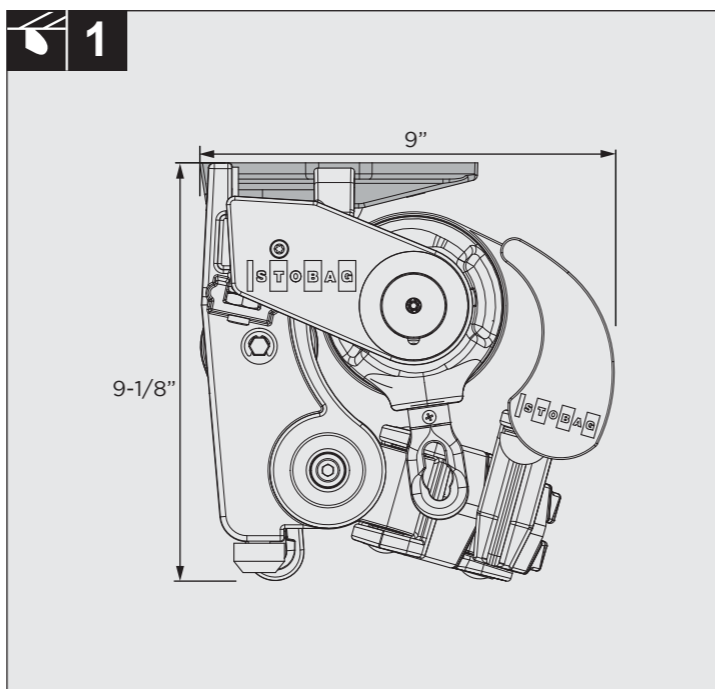
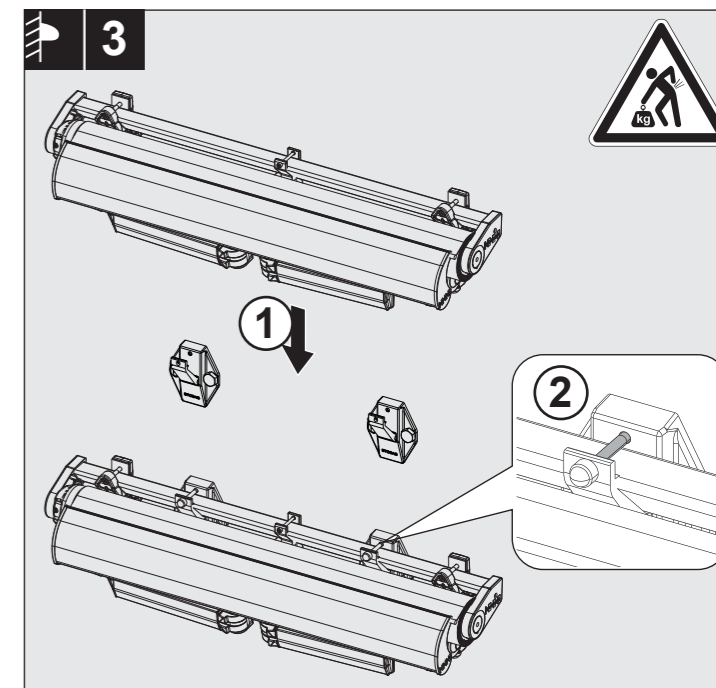
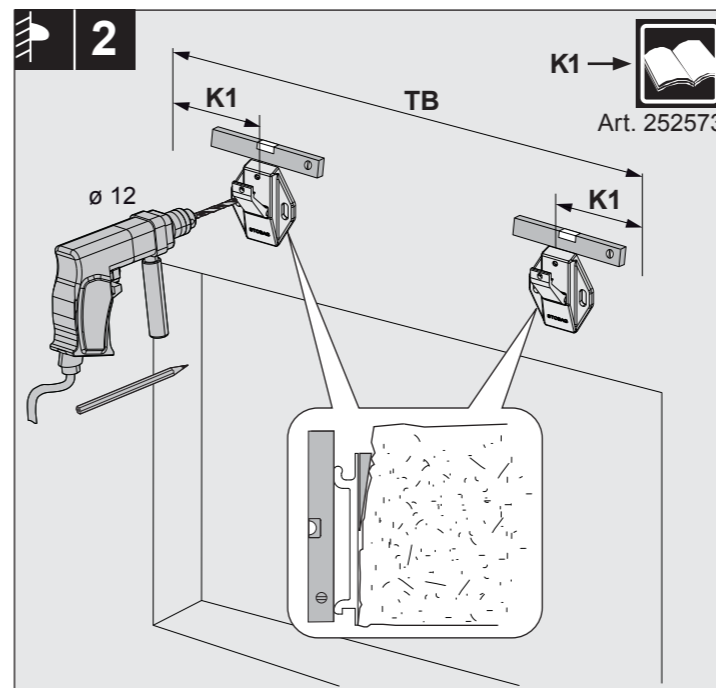
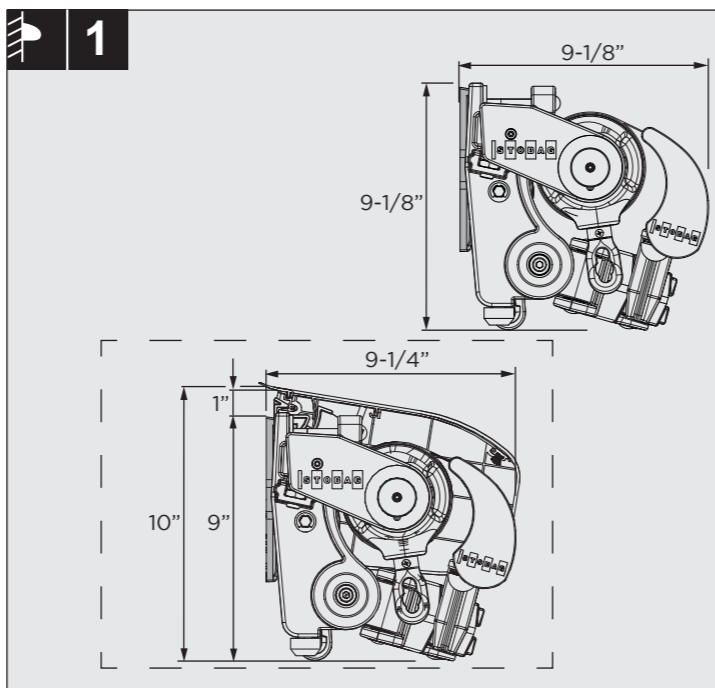
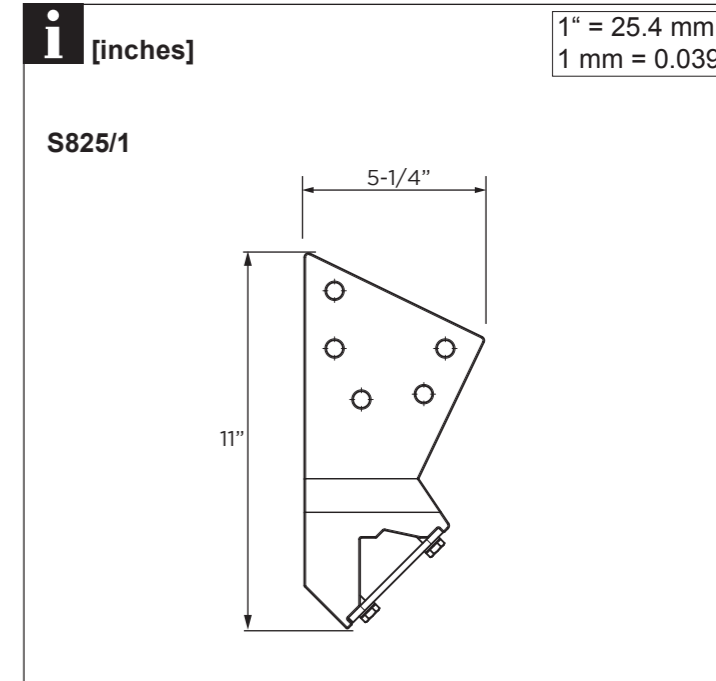
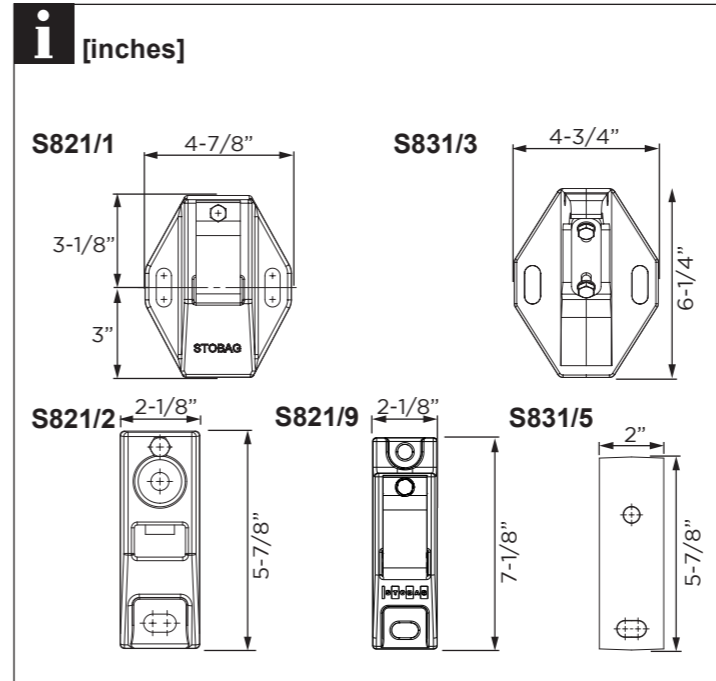
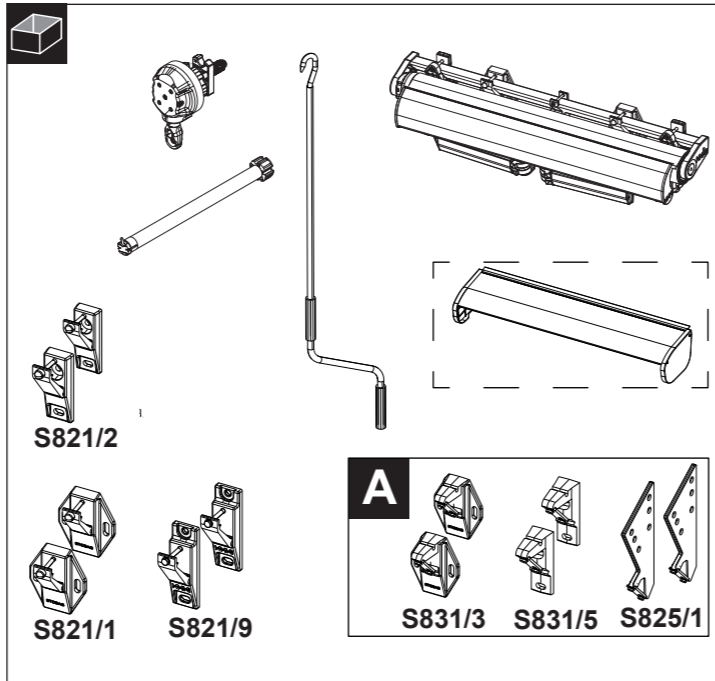
CRANK OPERATED OPEN ROLLER FOLDING ARM AWNING SYSTEM





**S8135**

Art. 252844\_V01 2016-11-10  
© STOBAG AG www.stobag.com



**INSTALLATION IS ONLY TO BE CARRIED OUT BY TRAINED SPECIALISTS. IT IS EXTREMELY IMPORTANT THAT THE SAFETY INSTRUCTIONS IN THE OPERATING MANUAL BE FOLLOWED.**

