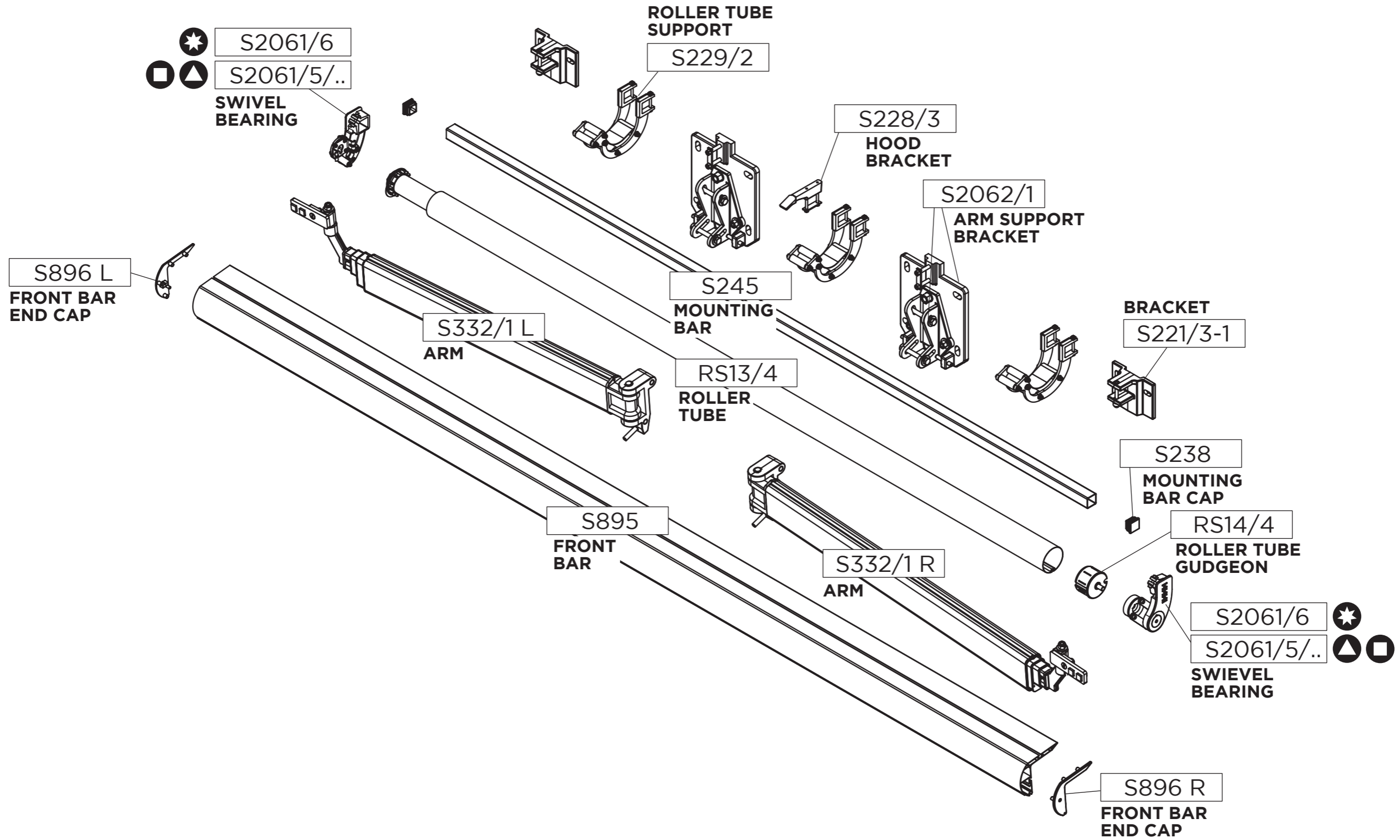
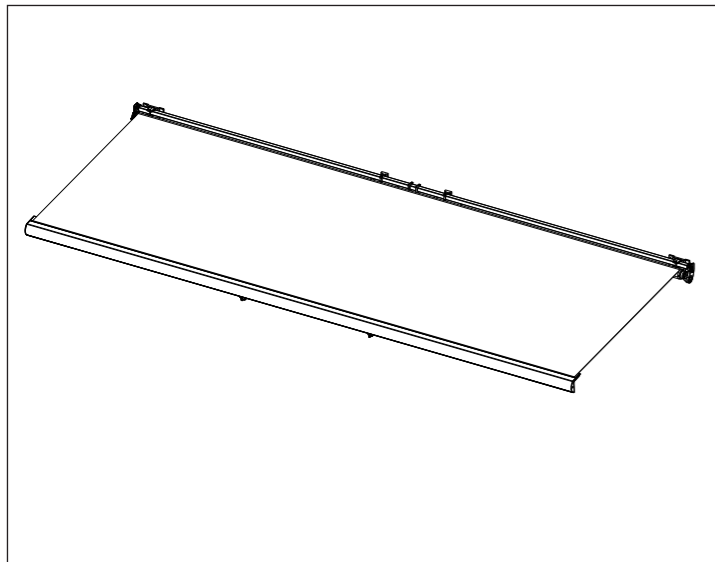




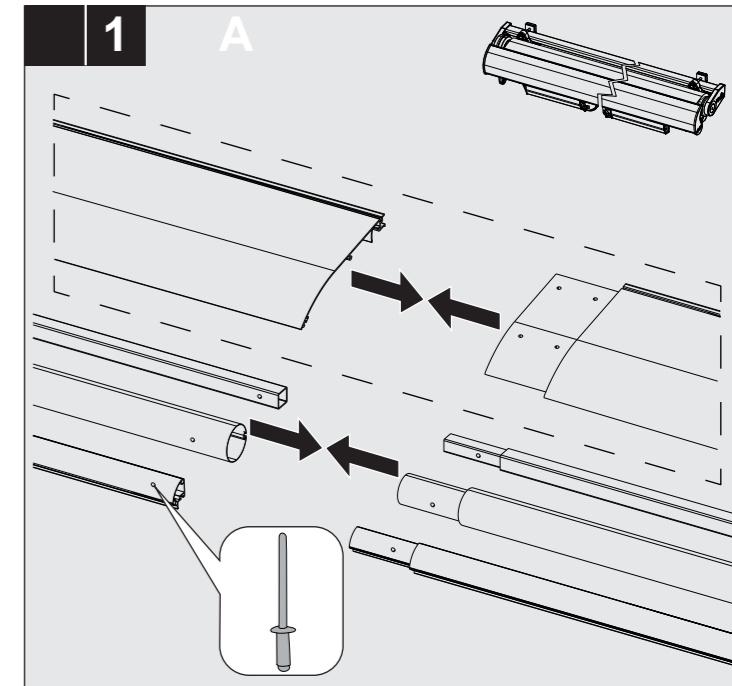
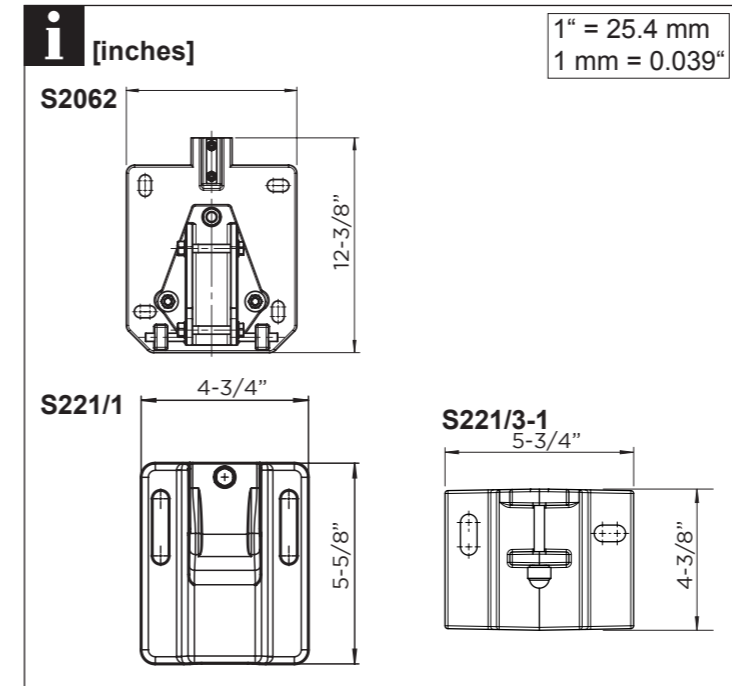
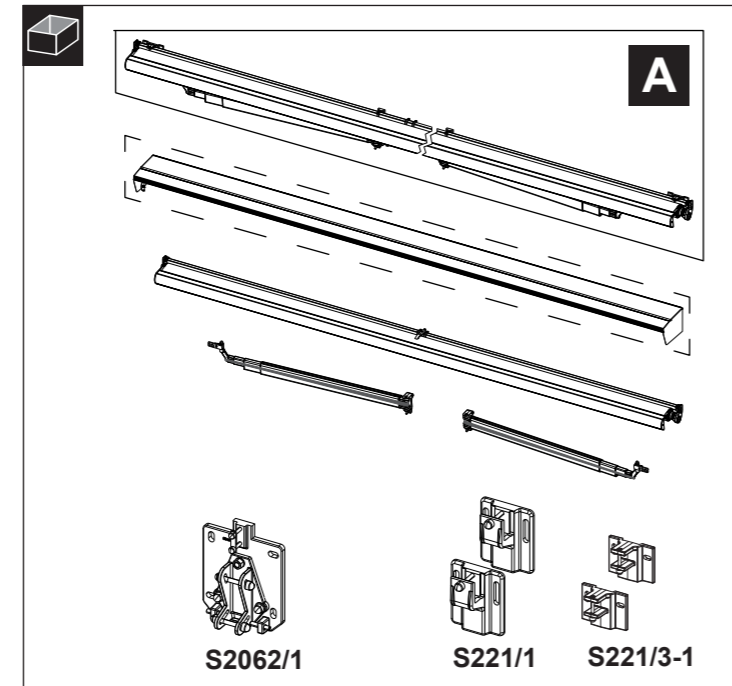
STOBAG JUMBO

MOTORIZED TELESCOPIC ARM AWNING SYSTEM

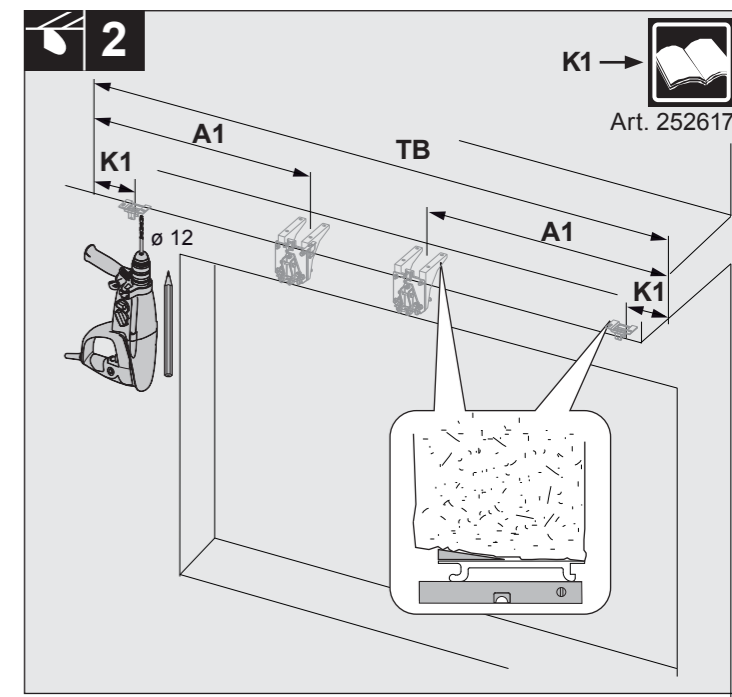
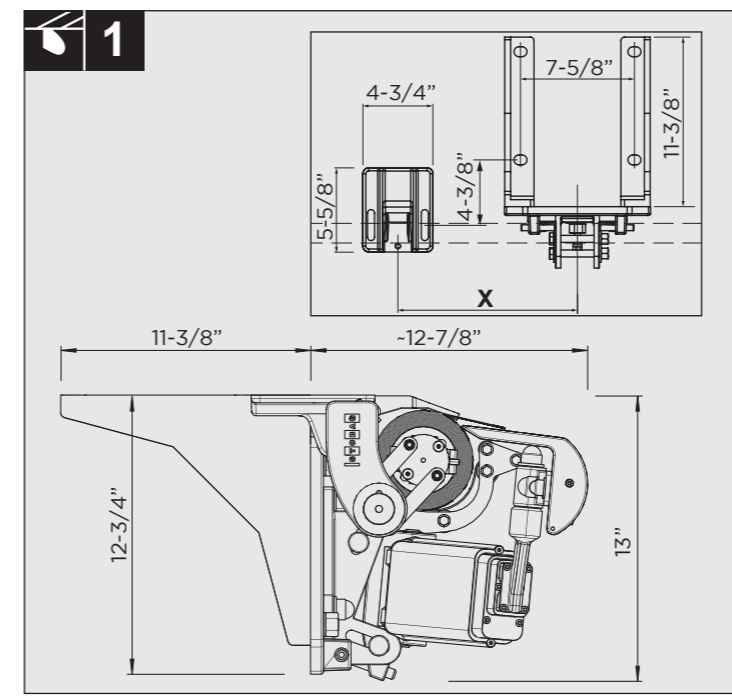
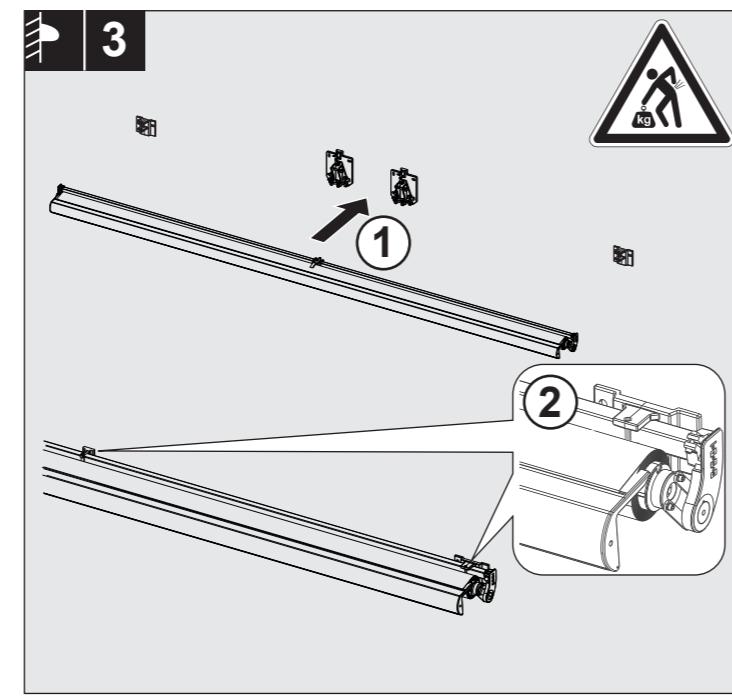
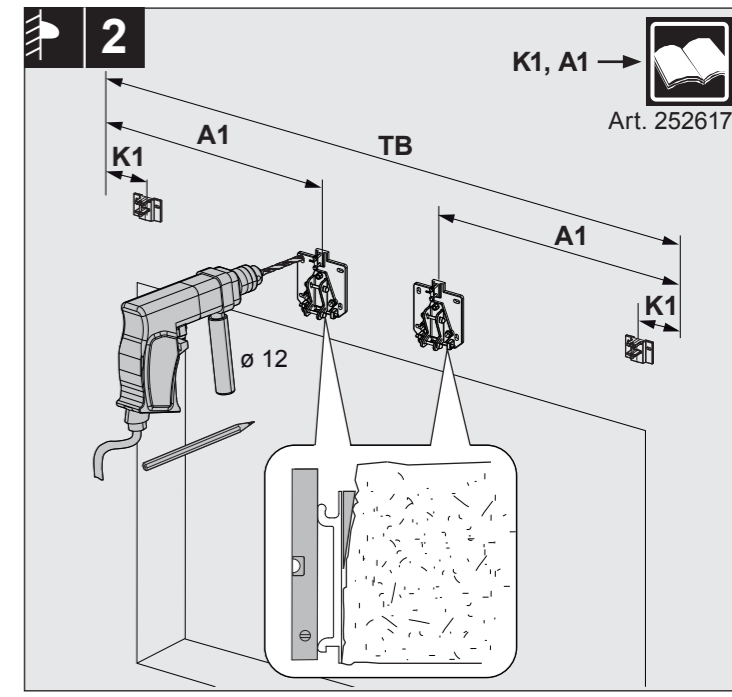
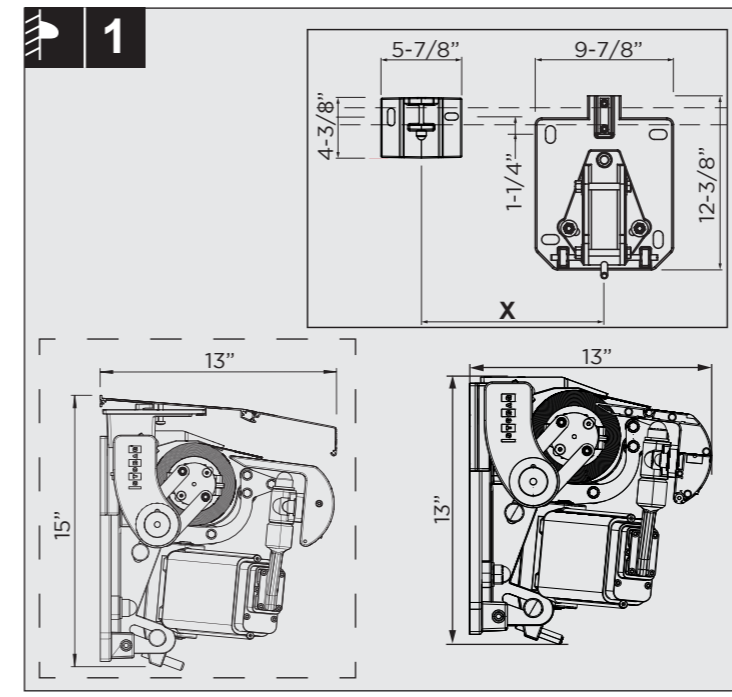
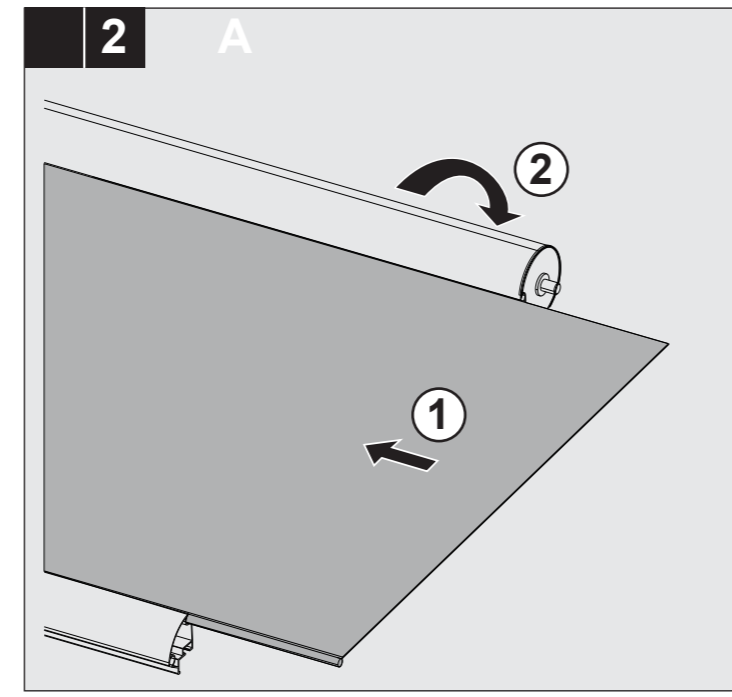
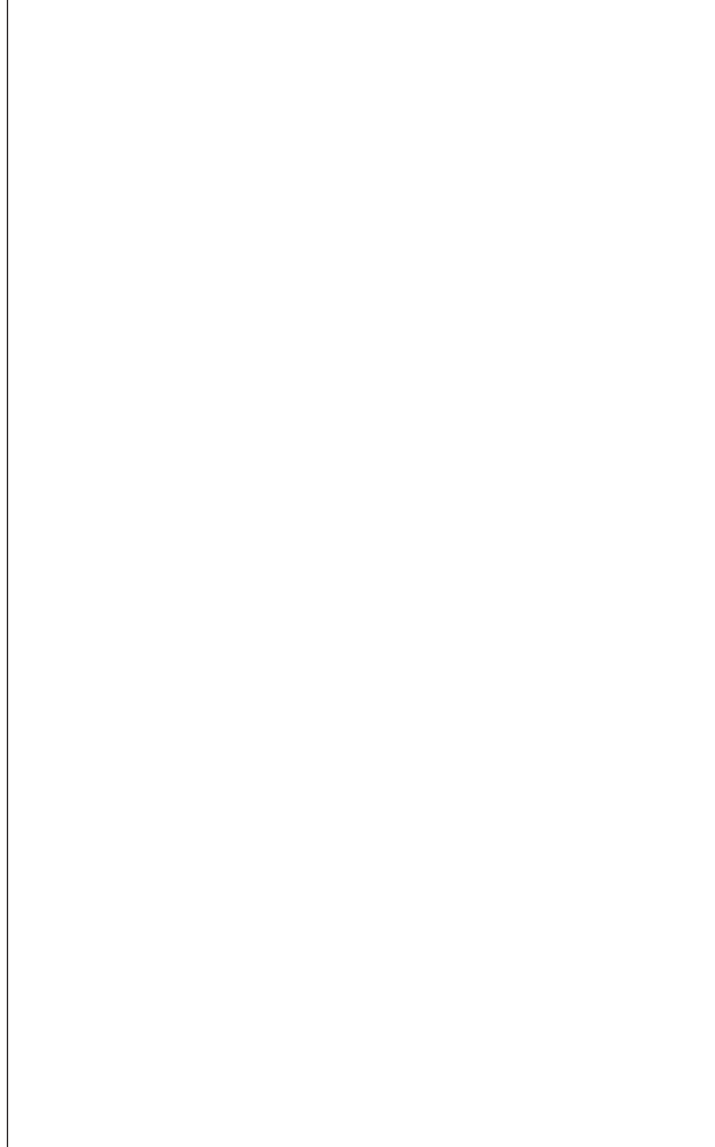




S2160/2
 Art. 252843 V02 2017-10-17
 © STOBAG AG www.stobag.com



EN 13561:2004+A1:2008 CE



INSTALLATION IS ONLY TO BE CARRIED OUT BY TRAINED SPECIALISTS. IT IS EXTREMELY IMPORTANT THAT THE SAFETY INSTRUCTIONS IN THE OPERATING MANUAL BE FOLLOWED.

