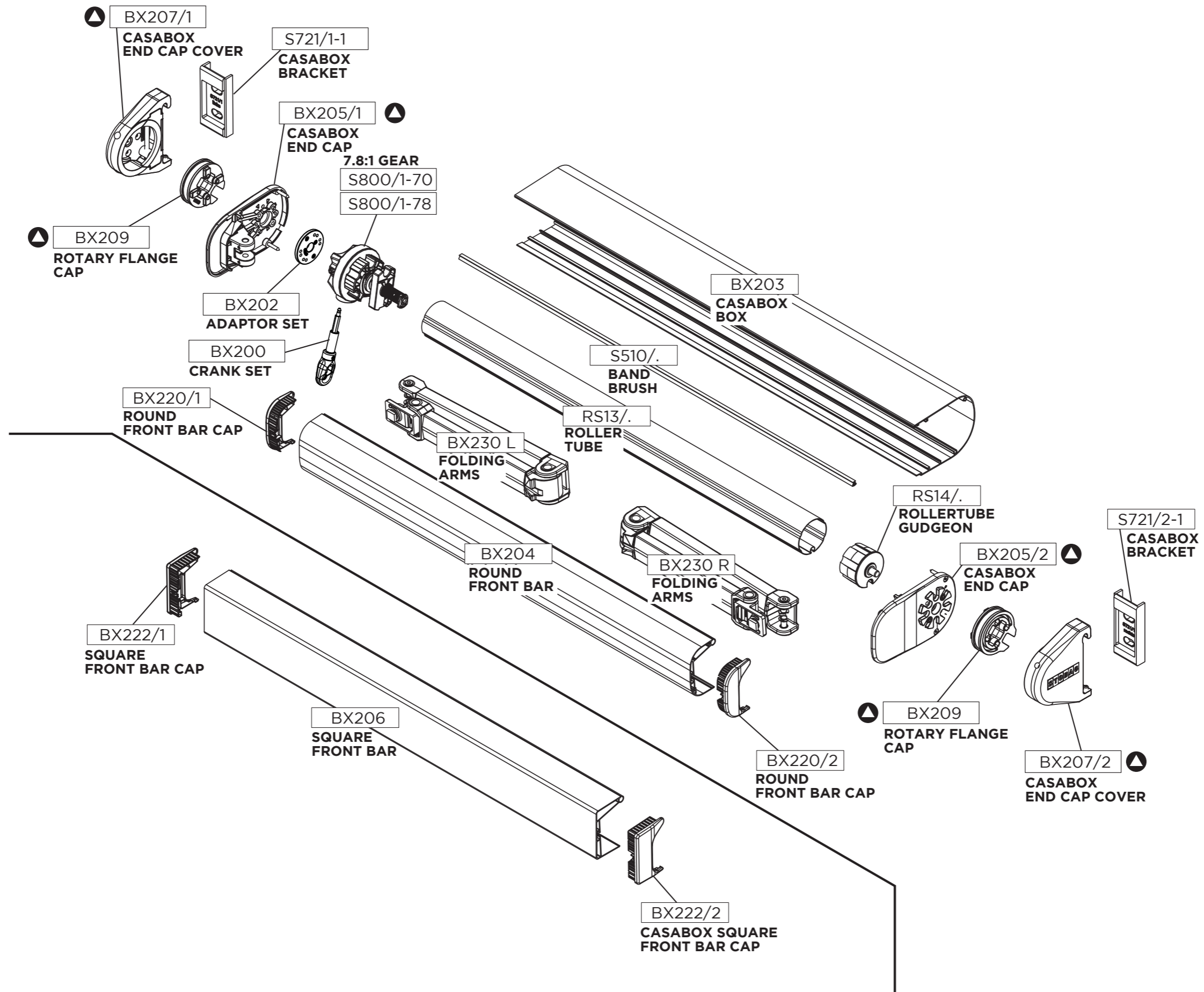
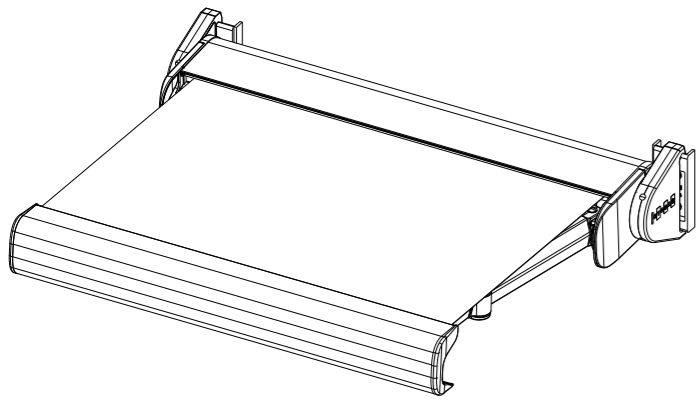




STOBAG CASABOX

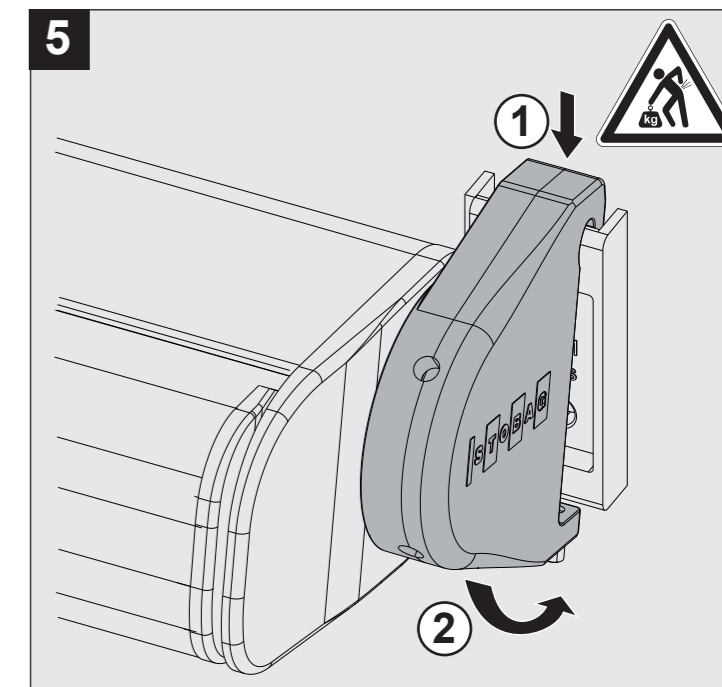
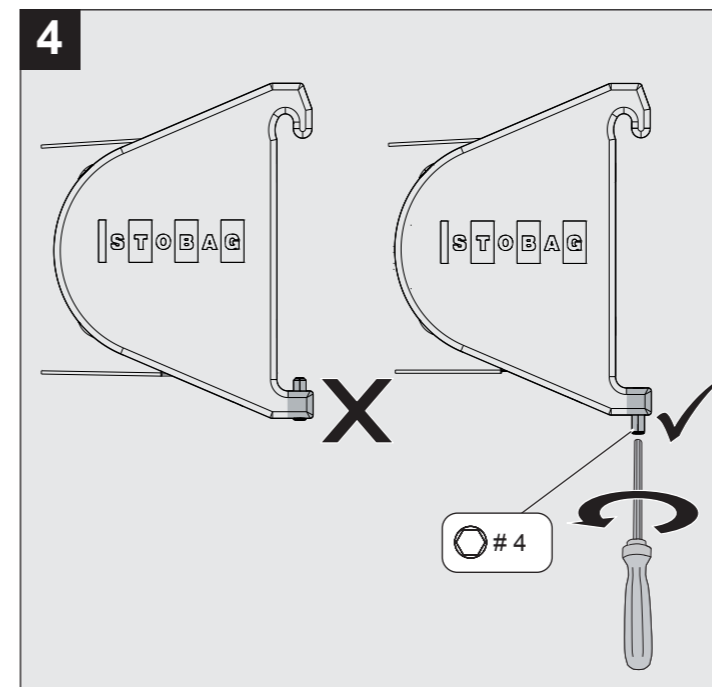
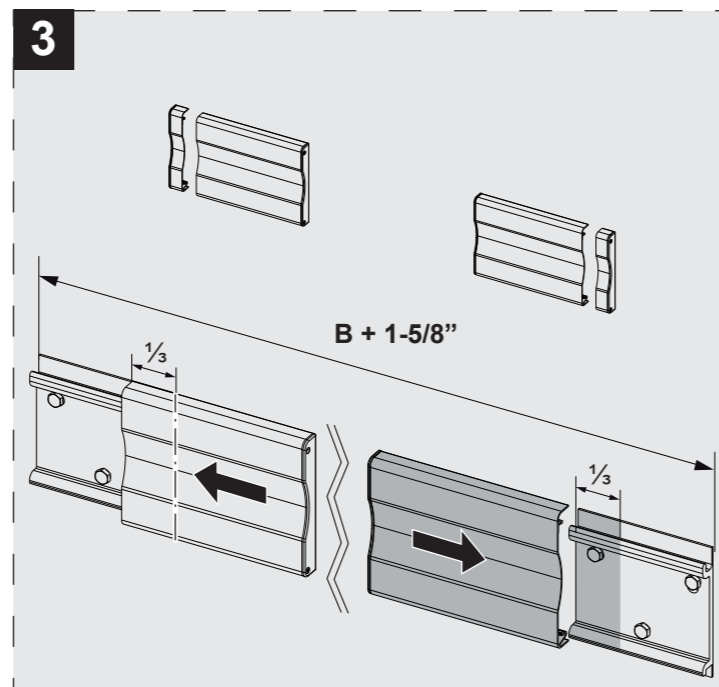
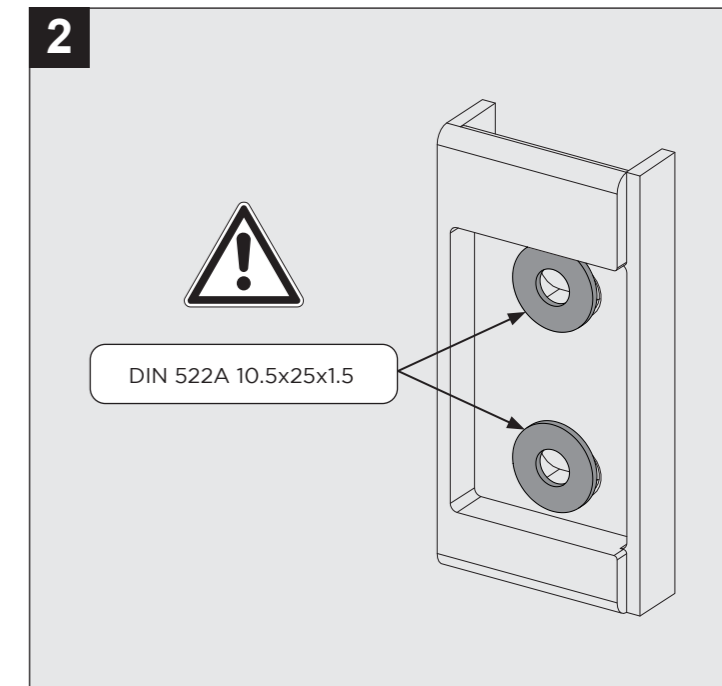
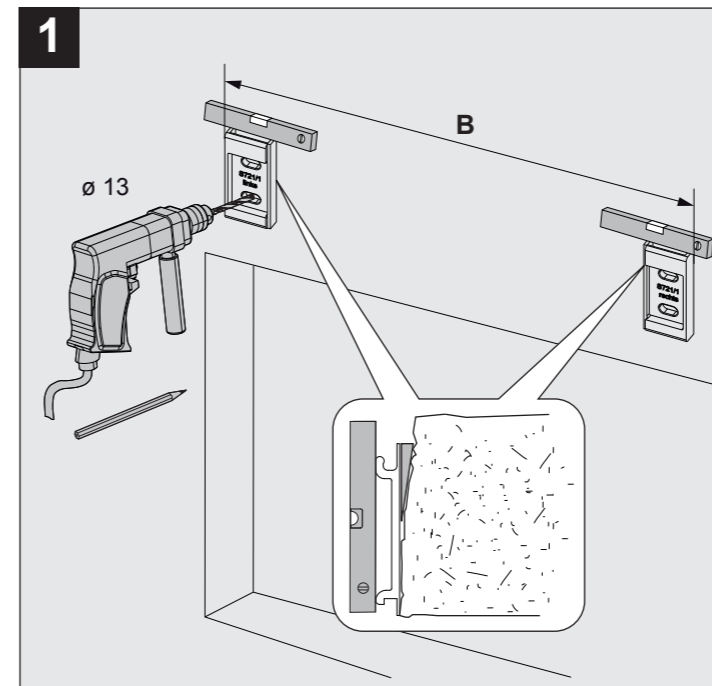
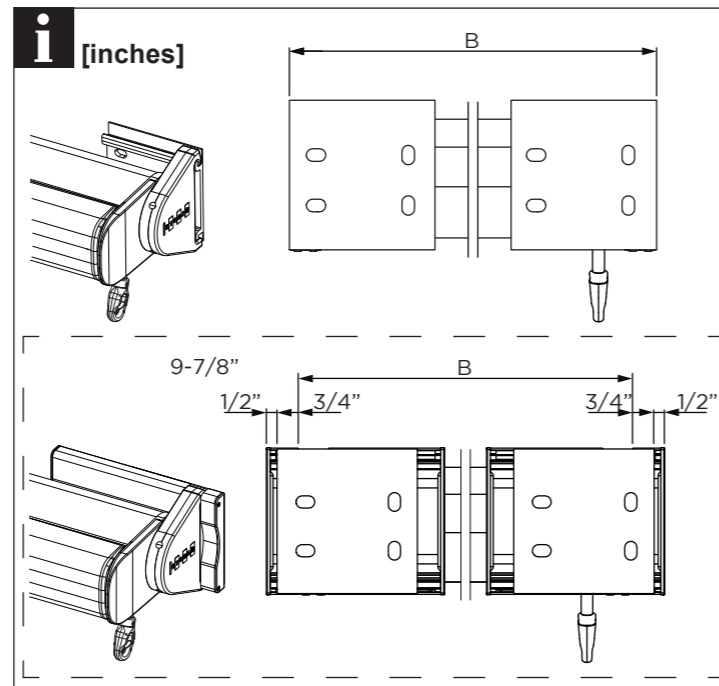
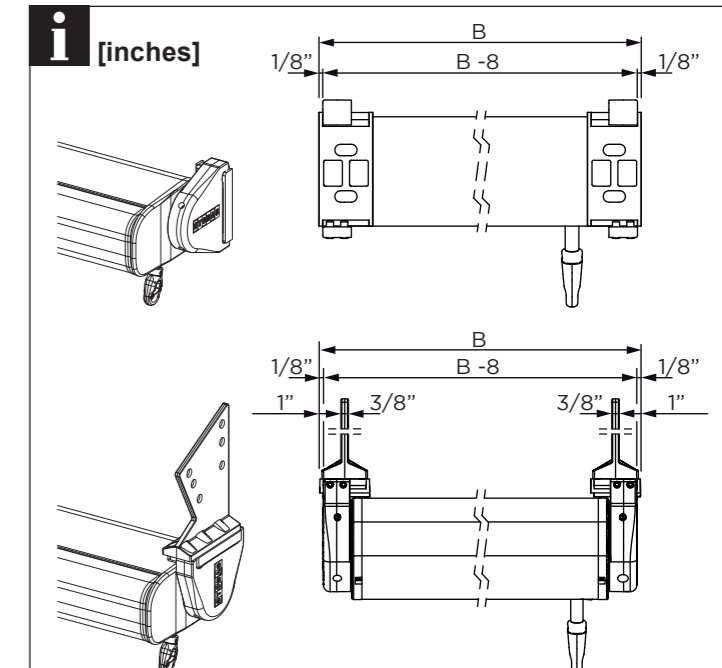
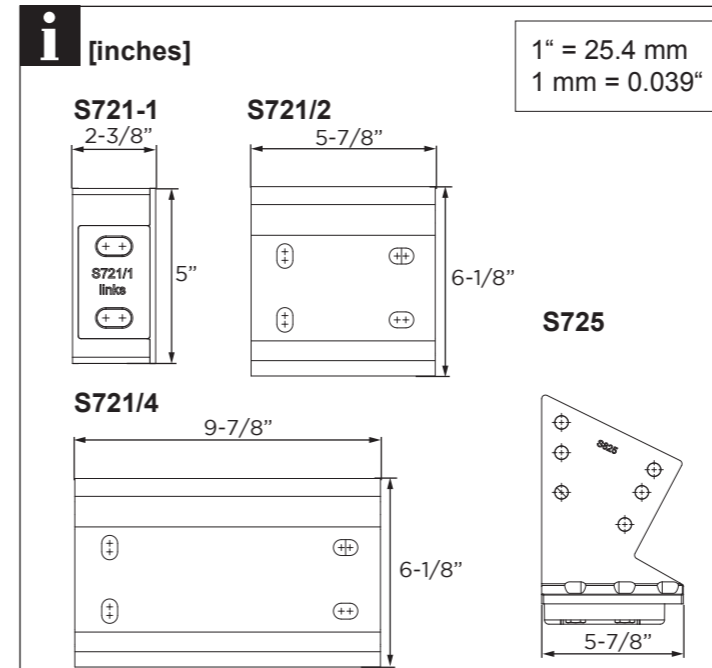
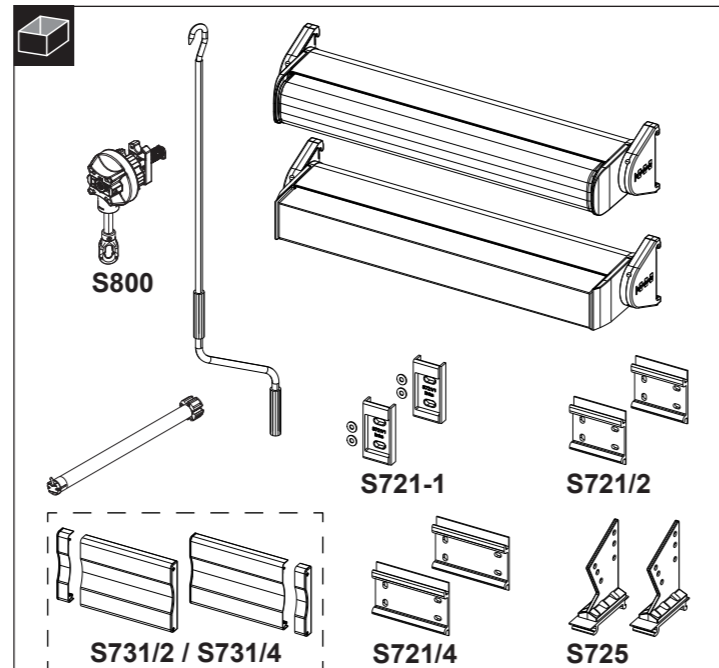
CRANK OPERATED FULL CASSETTE FOLDING ARM AWNING SYSTEM





BX2000

Art. 252233 V01.1 2019-08-19
© STOBAG AG www.stobag.com



INSTALLATION IS ONLY TO BE CARRIED OUT BY TRAINED SPECIALISTS. IT IS EXTREMELY IMPORTANT THAT THE SAFETY INSTRUCTIONS IN THE OPERATING MANUAL BE FOLLOWED.

