

B300(XL)-ODL

HOLIDAY AT HOME

Mounting instructions



BRUSTOR[®] 
OUTDOOR SUN SYSTEMS

www.brustor.com

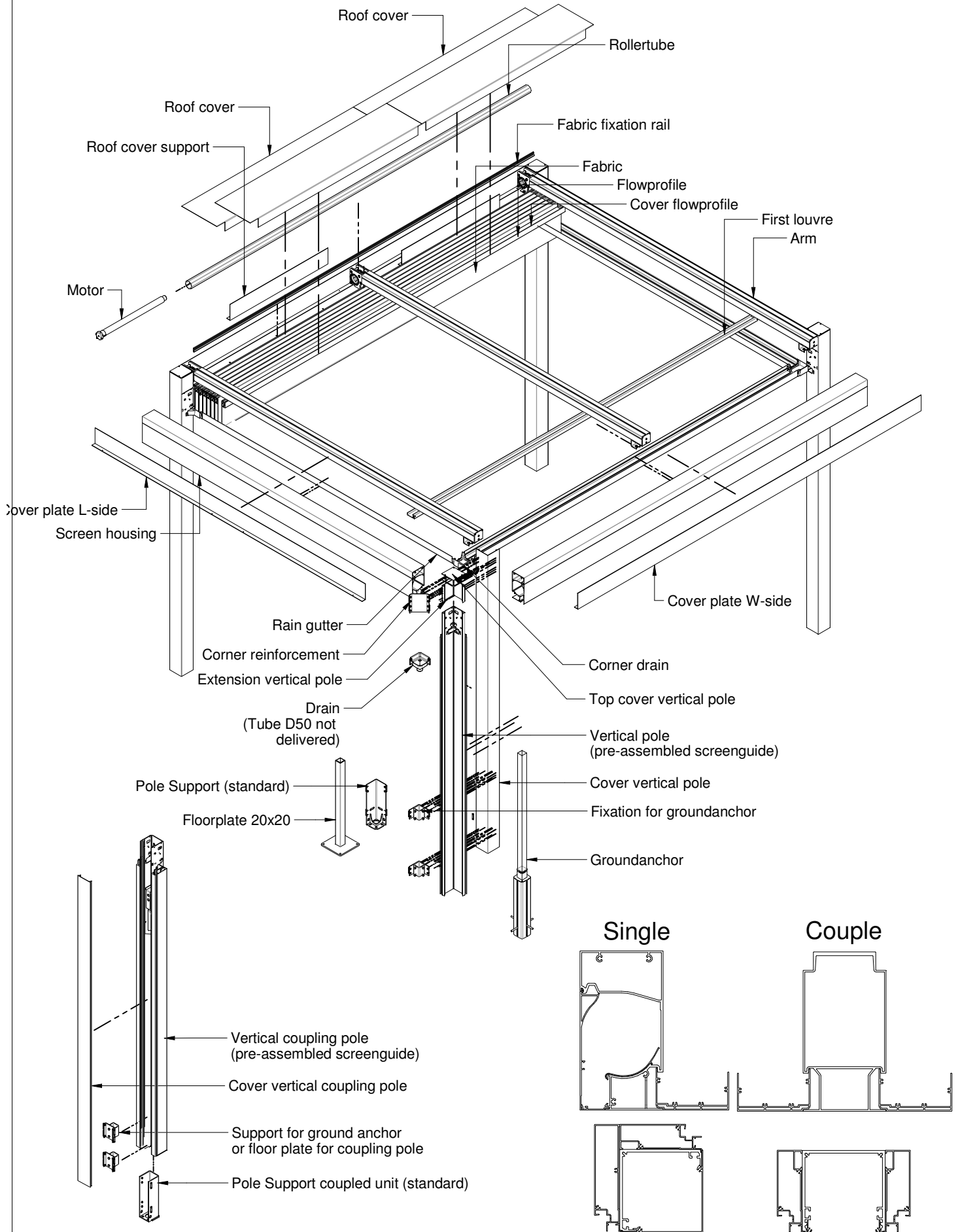
GB

V2018 04

01	0. OVERVIEW
02	1. PLACING THE SUPPORTS
02	1.a Stand Alone
03	1.b Wall Fixation
04	2. PLACING THE VERTICAL POLES
04	3. MOUNTING THE CROSS MEMBERS
07	4. ADJUSTING THE CONSTRUCTION
07	4.a Levelness
07	4.b Perpendicularity
08	5. SCREENS
08	5.a Rollertubes
09	5.b Motorcable
10	6. DRAIN
11	7. SCREENGUIDES
11	7.a Guides Leadrail
11	7.b PVC- guides
12	8. ASSEMBLY SLIDING COVER
12	8.a Arms and rollertube
14	8.b Corner reinforcement
14	8.c Extensie vertical pole
15	8.d Drain side
15	8.e Mounting the fabric
16	8.f Mounting the fabric fixation rail
18	9. FINISHING ROOF
18	9.a Coverplates W-and L-side
19	9.b Rooftop covers
20	10. PROGRAMMING THE SCREENMOTOR AND FABRIC MOTOR
20	11. SCREEN COVER
21	12. PLACING THE RAIN GUTTERS
21	12.a Corner piece
22	12.b Rain gutter
22	13. FINISHING
22	13.a Drain
23	13.b Cover vertical poles
23	14. WIRE DIAGRAM
23	14.a Electricity grid
23	14.b Screens

0. OVERVIEW

› Check if all parts are present, and check if the dimensions are as ordered

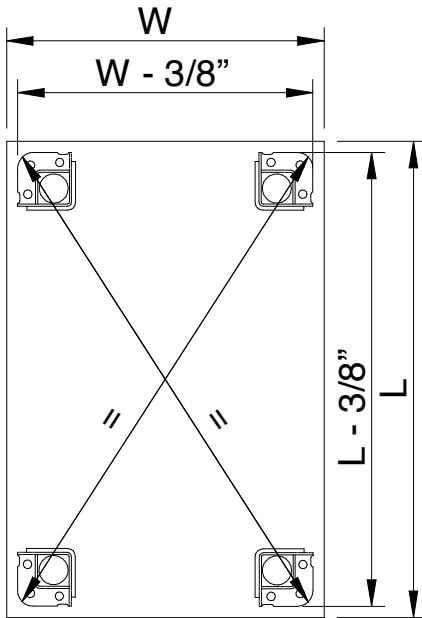


1. PLACING THE SUPPORTS

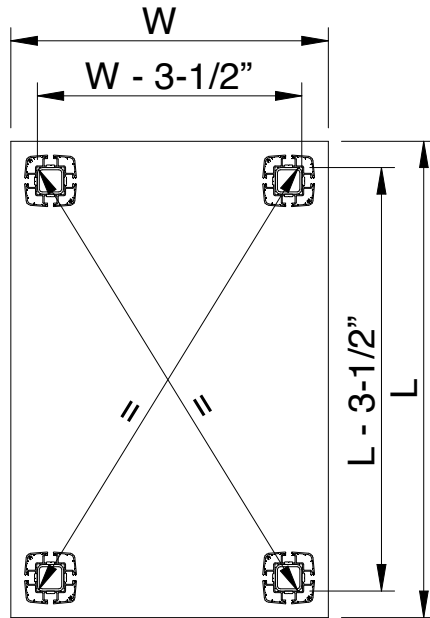
- › Place the supports as indicated on the following drawings.
- › Check the diagonals, the difference should not be more than 5mm.

1.a STAND ALONE

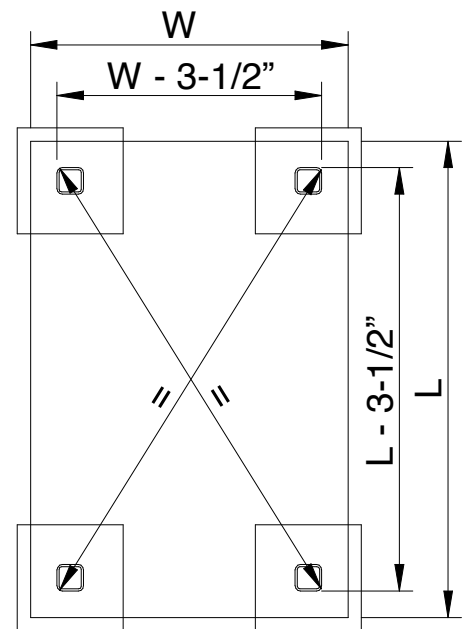
SINGLE



Pole Support

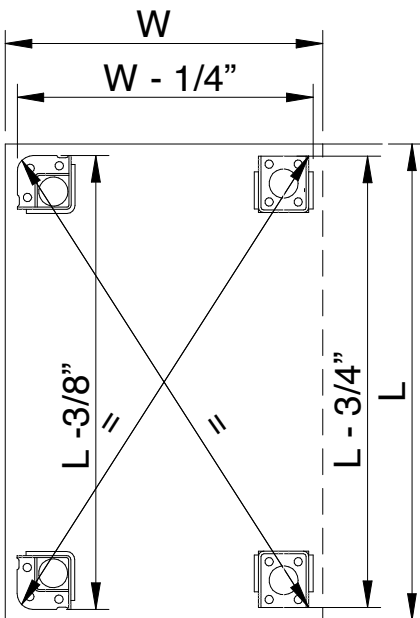


Ground Anchor

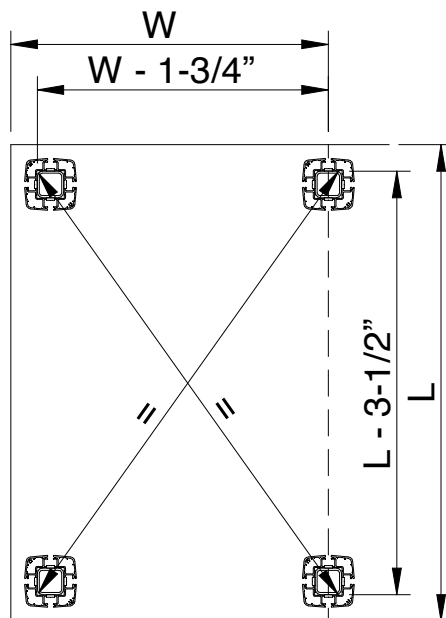


Floorplate 20x20

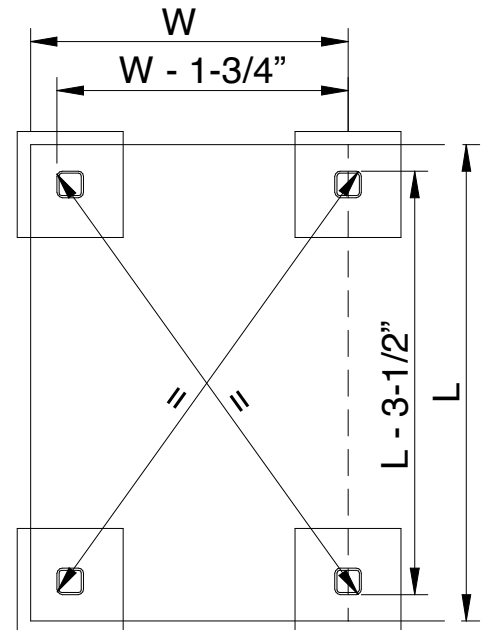
COUPLE



Pole Support



Ground Anchor

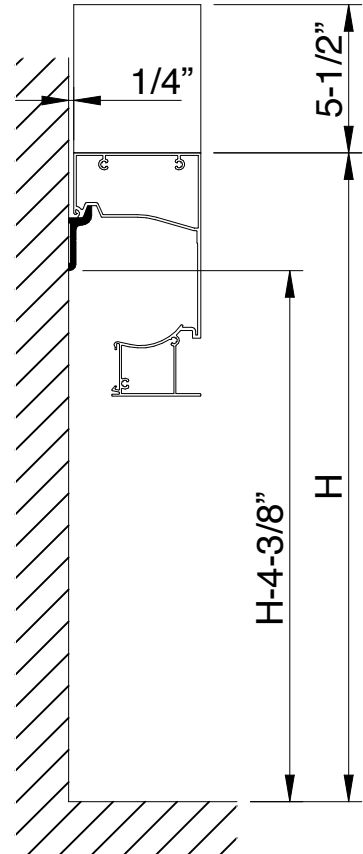
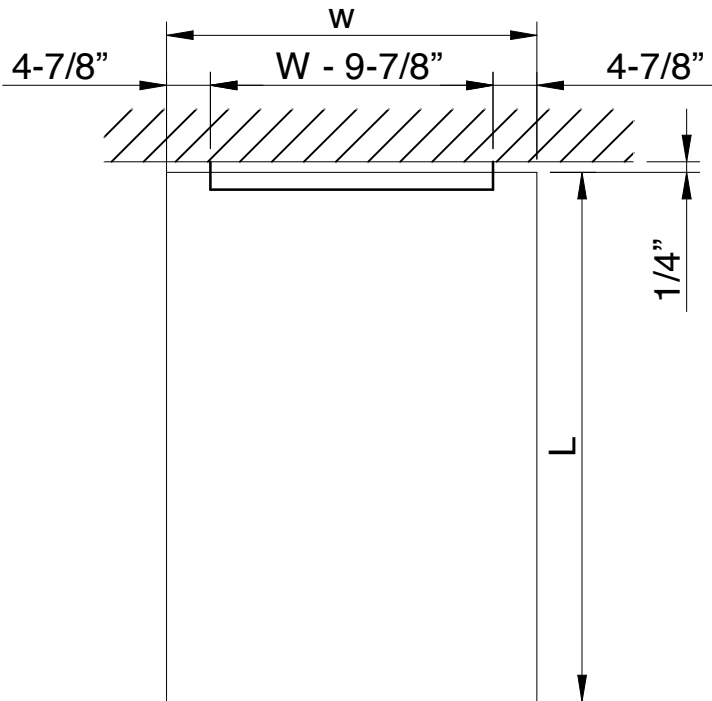


Floorplate 20x20

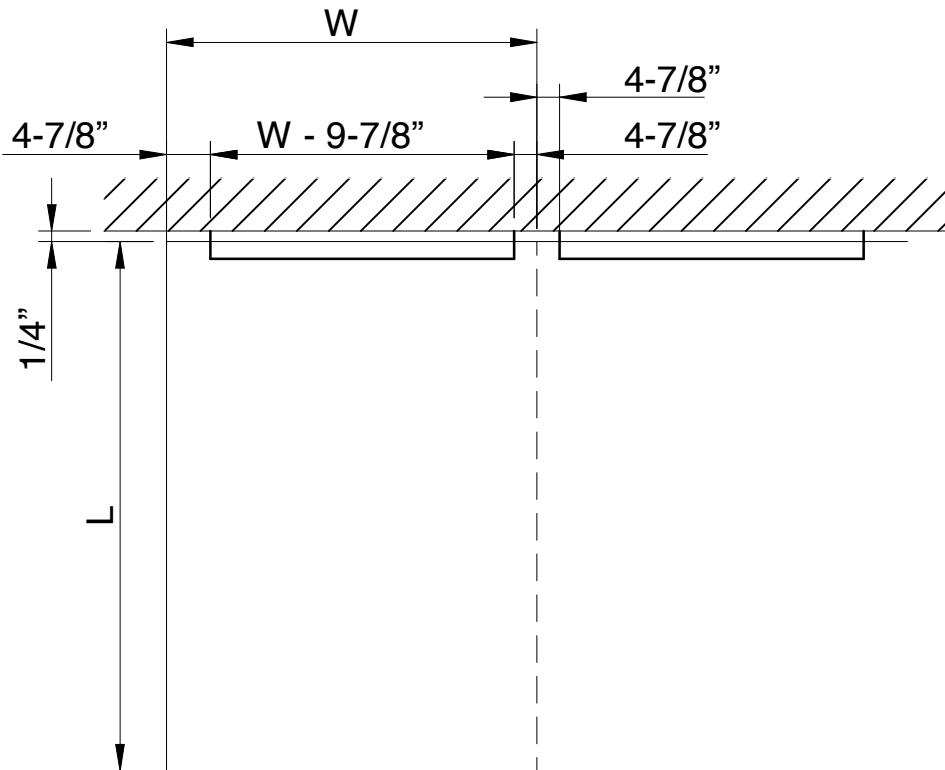
1.b WALL FIXATION

› Use the dimensions mentioned above, but add 1/4" next to the wall.

SINGLE

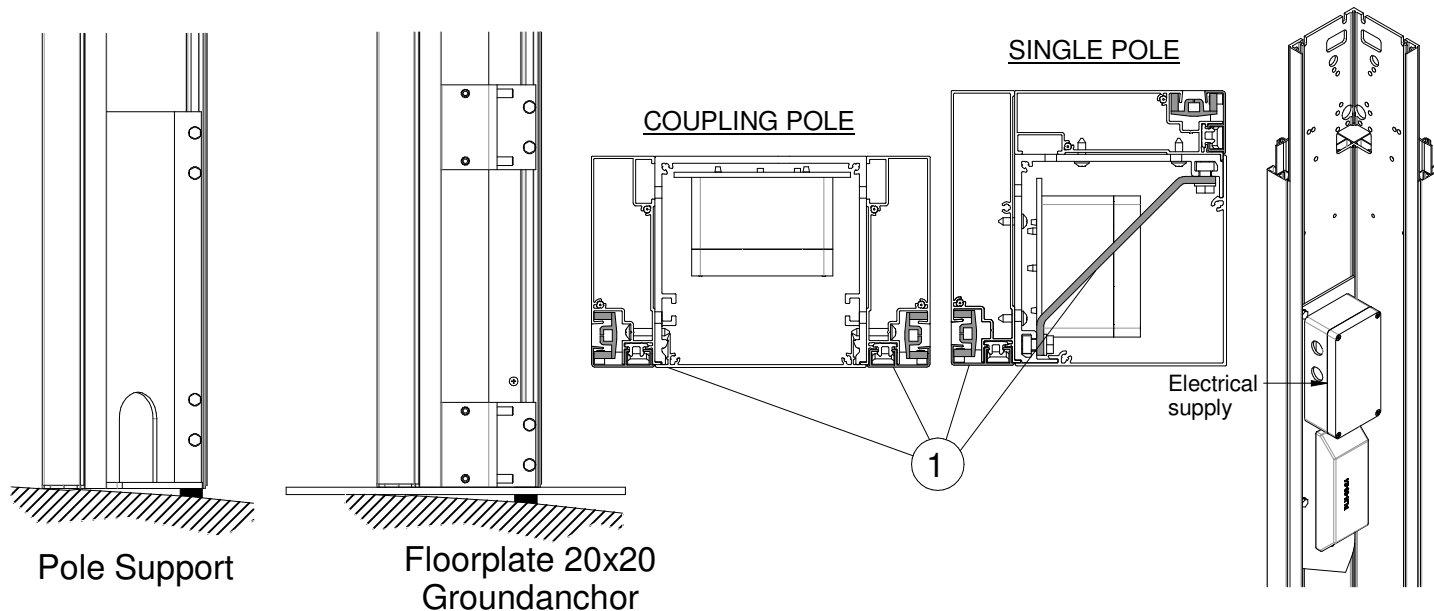


COUPLE



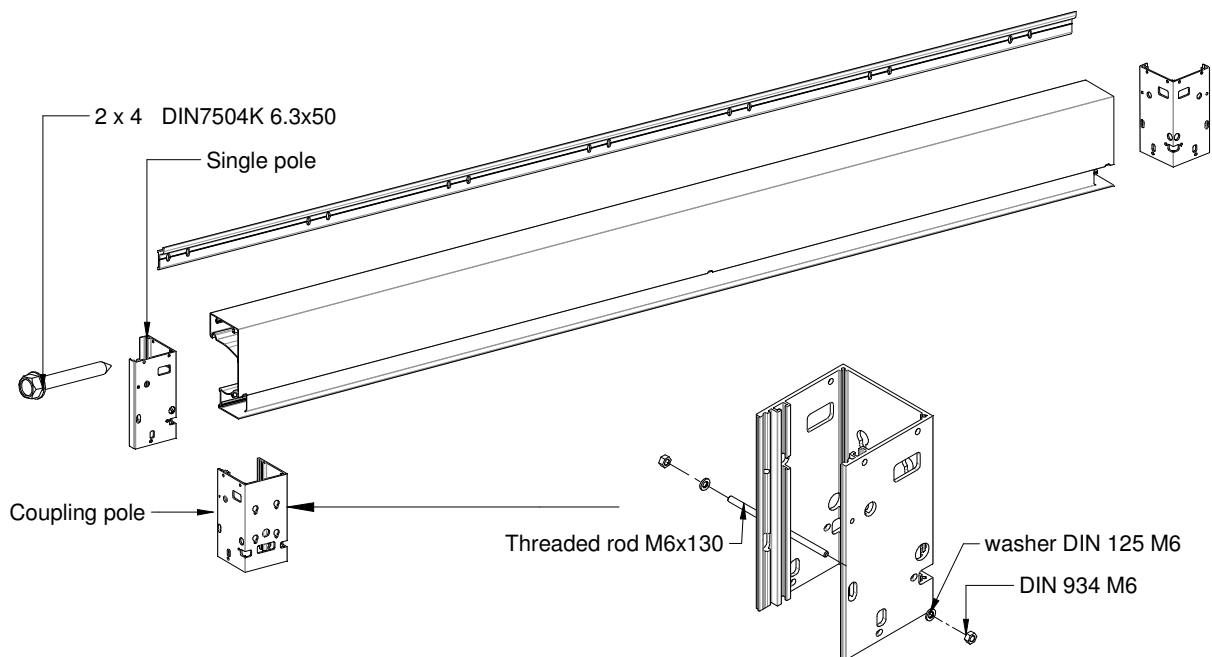
2. PLACING THE VERTICAL POLES

- › Remove the Pole supports from the vertical poles, also remove the premounted screenguides, and the reinforcement (1)
- › Attach the pole supports or floorplates onto the floor.
- › Check the dimensions from the previous page again, before fastening the bolts.
- › Place the vertical pole over the supports.
- › Make sure that the pole is mounted perfectly vertical.
- › If necessary fill up the bumps.
- › One of the poles contains the electrical supply for the louvremotor and, possibly, the led lights.
Make sure this pole is placed on the right position (according to your order).

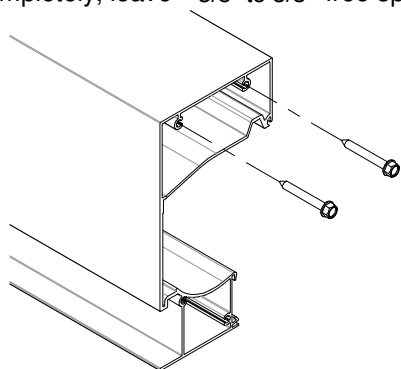


3. MOUNTING THE CROSS MEMBERS

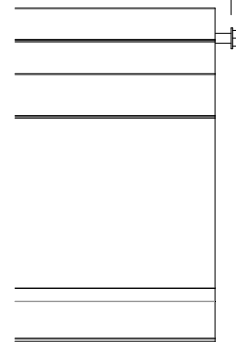
- › In case of wallfixation, screw the short poles on to the side of the cross members.
- › For a coupled unit prepare the junction part, as shown on the drawing below.
- › Hook the cross members on to the walladapter.



- > Remove the rollertubes from the screens.
- > On both ends of the screen, screw the two upper screws in the profile (6.3x50) (1 screw if coupled).
- > Do not fasten them completely, leave 3/8" to 5/8" free space.



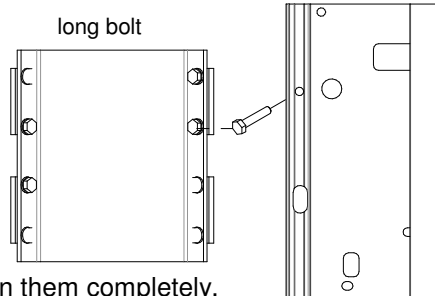
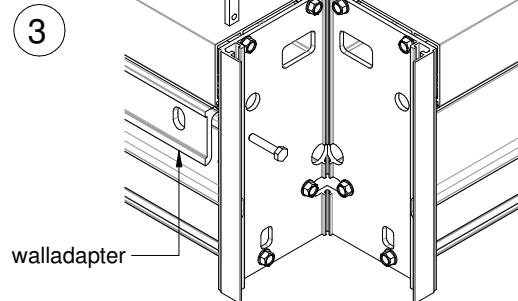
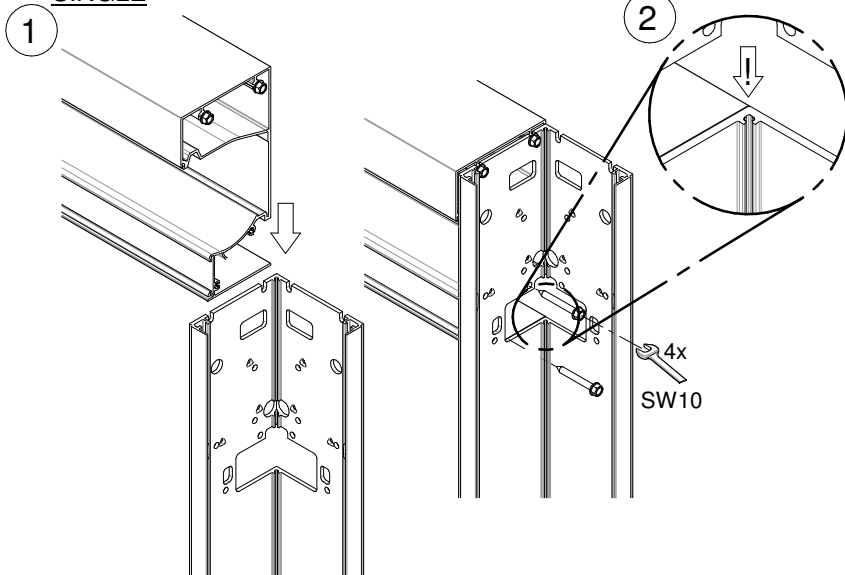
10 a 15



- > Hook the cross members on to the vertical poles. (1)
 - > Completely tighten both screws.
 - > Screw the two lower screws in the profile. (2)
- Make sure the mainhousing is well positioned compared to the hole in the pole.

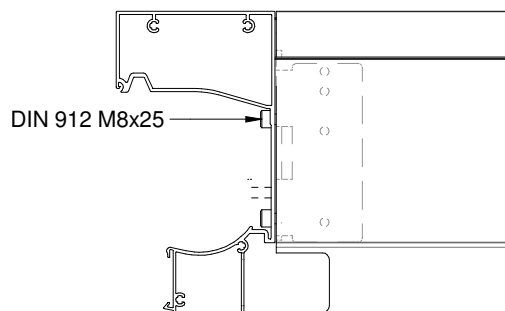
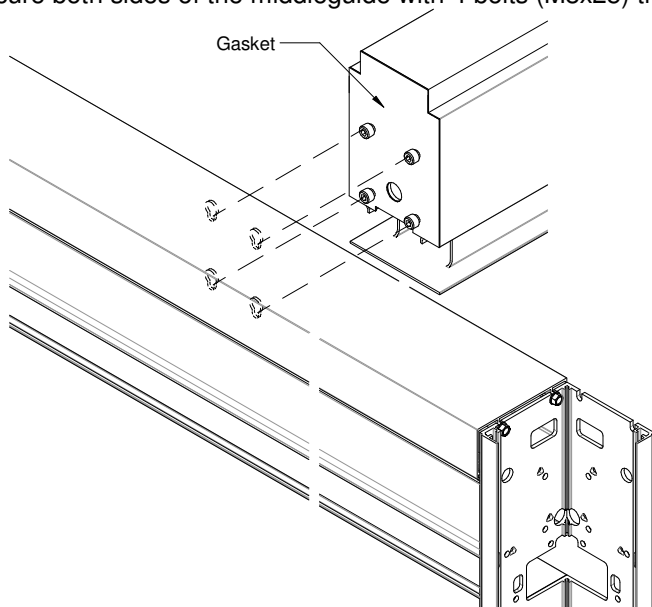
> In case of wallfixation, secure the cross member by mounting a bolt on both sides of the screen. (3)

SINGLE

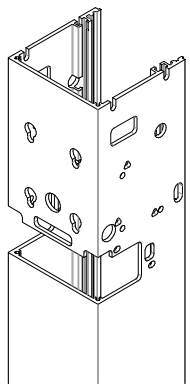


ROOF IN 2 PARTS

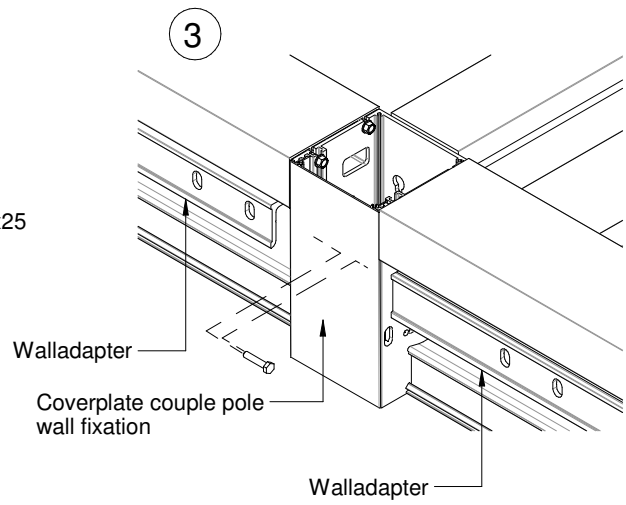
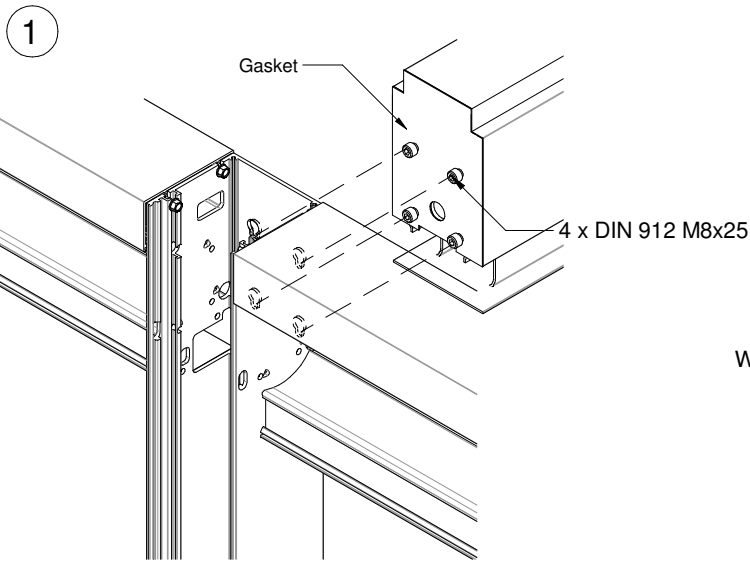
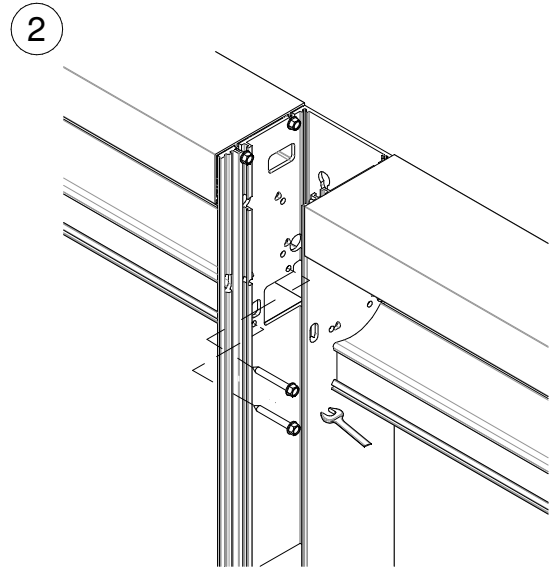
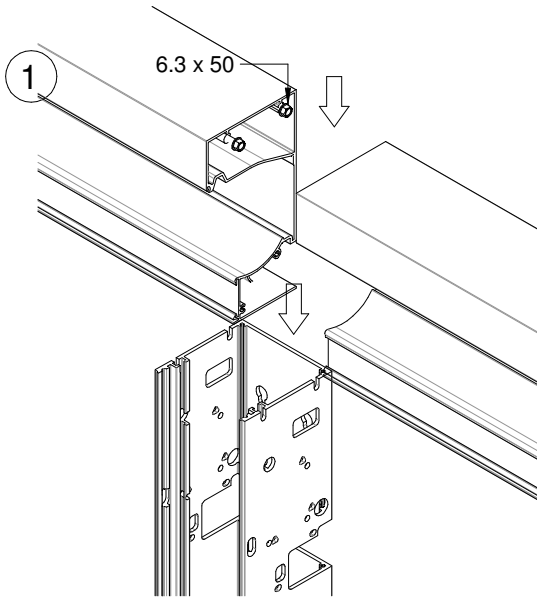
- > On both ends of the screen, screw four bolts in the profile (M8x25). Do not fasten them completely, leave 3/8" to 1/4" free space.
- > Make sure a gasket is placed at the end of the profile.
- > Hook the middleguide between the 2 screenboxes (1)
- > Secure both sides of the middleguide with 4 bolts (M8x25) through the mainhousing.



COUPLE

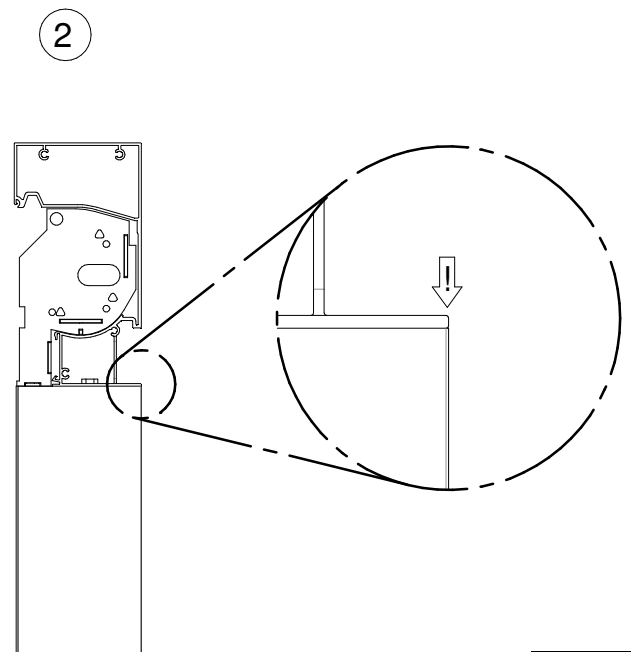
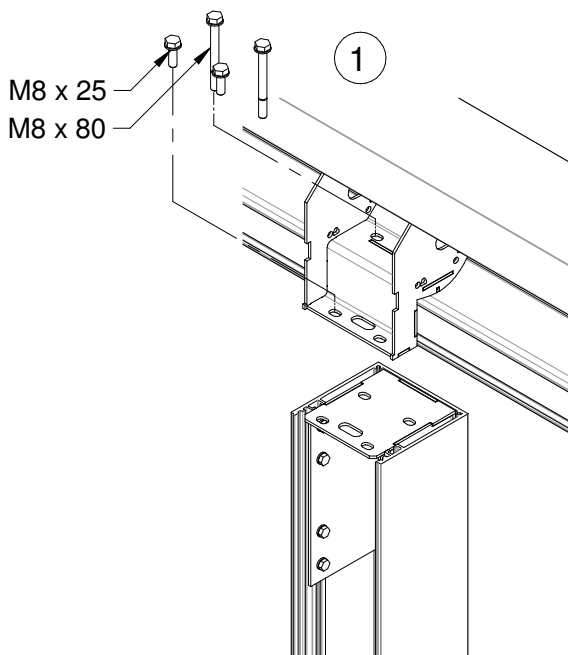


Coupling profile



DOOR PROFILE

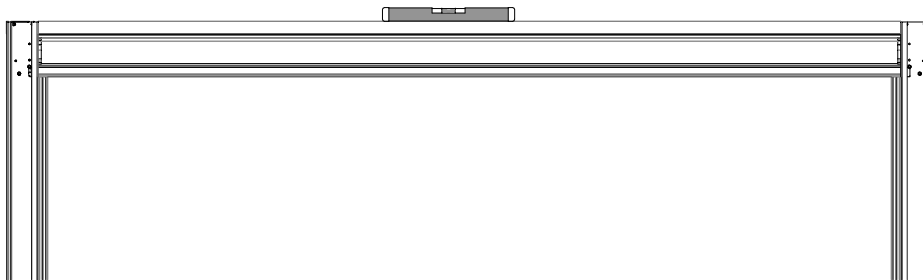
- › Remove the rollertubes from the screens.
- › Position the doorprofile below the structure and fix it. (1)
- › Make sure the post is flush with the main housing. (2)



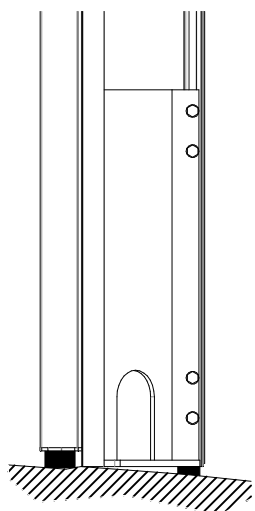
4 ADJUSTING THE CONSTRUCTION

4.a LEVELNESS

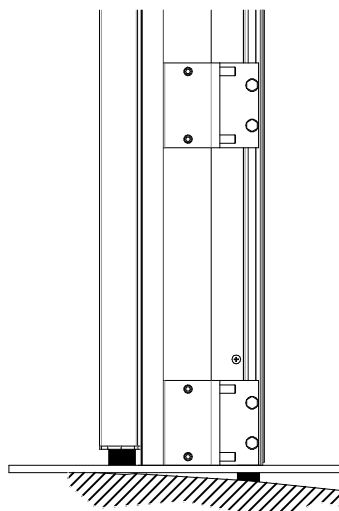
- › Check the top side of the construction with a laser or a level.



- › If necessary, adjust the construction
- › Move the vertical poles upward until the top side of the construction is completely level.
- › If necessary use some provisional filling.



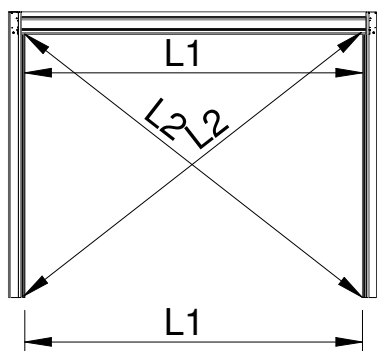
Pole Support



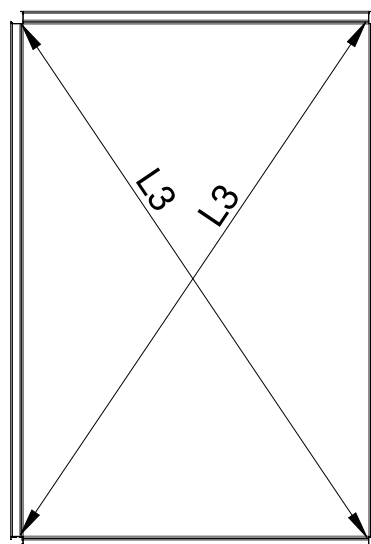
Floorplate 20x20
Groundanchor

4.b PERPENDICULARITY

- › Check the perpendicularity through the following dimension. ($L1 \pm 1/8''$!)
- › Also check the diagonals of the top side.
- › If necessary, the pole supports allow a small adjustment..



Sideview



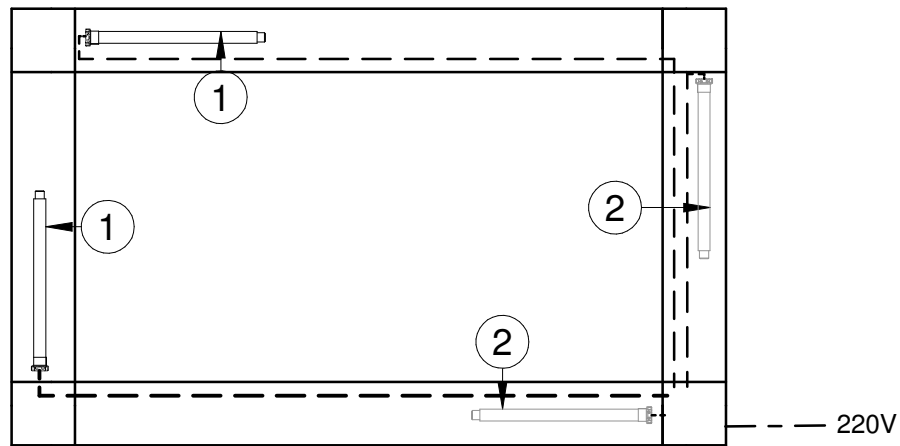
Topview

- › Once everything has been adjusted, tighten all the bolts.
- › Remove the provisional filling

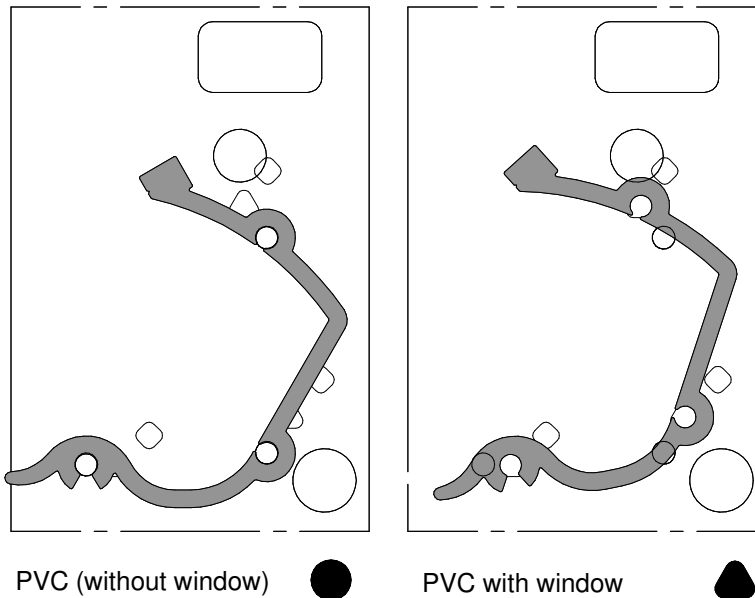
5. SCREENS

5.a ROLLERTUBE

- › If there are 3 or 4 screens, start with the screens with the longest distance from the electrical supply.
(number 1 on the following diagram)

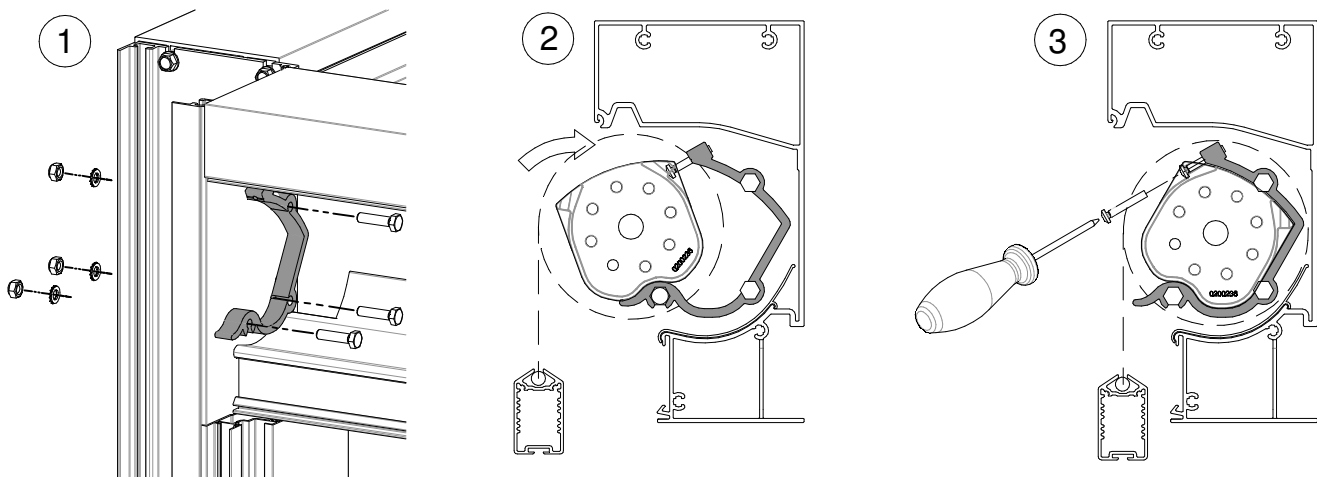


- › The rollertube support can be installed in 2 different ways depending on the type of fabric, see drawing underneath.
- › Before installing the rollertube supports, the gaskets should be pierced.



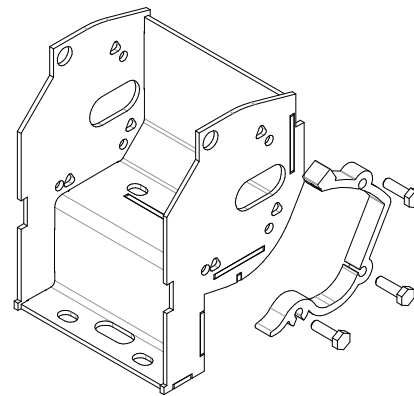
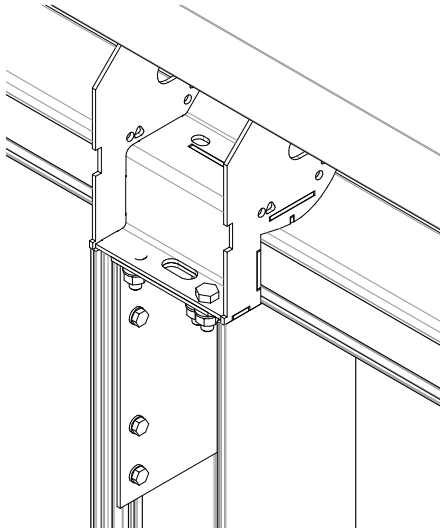
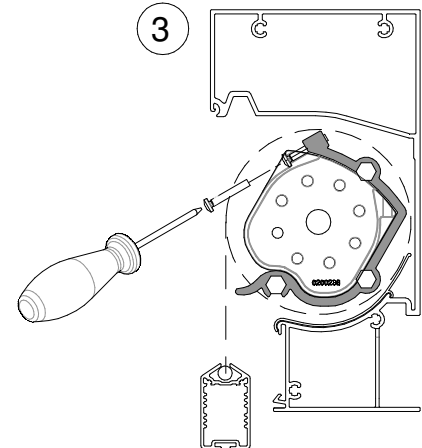
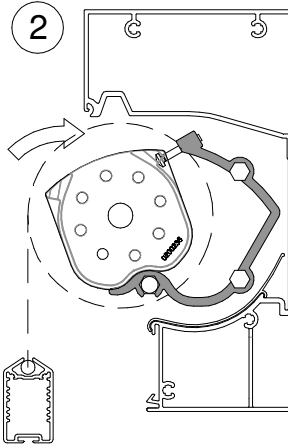
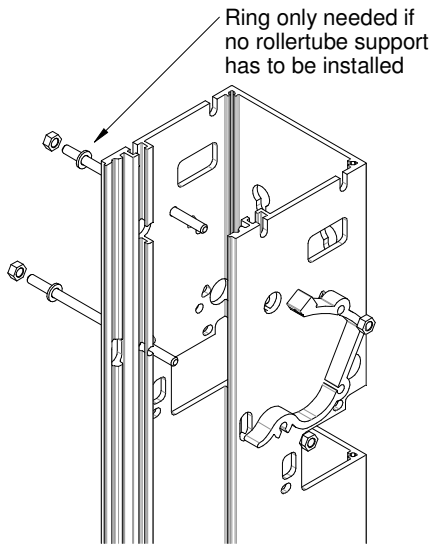
SINGLE

- › Attach the rollertube supports to the vertical poles (3 x M6x25) (1)
- › Insert the screens as shown below (2), and secure them on both sides (M4x20) (3).



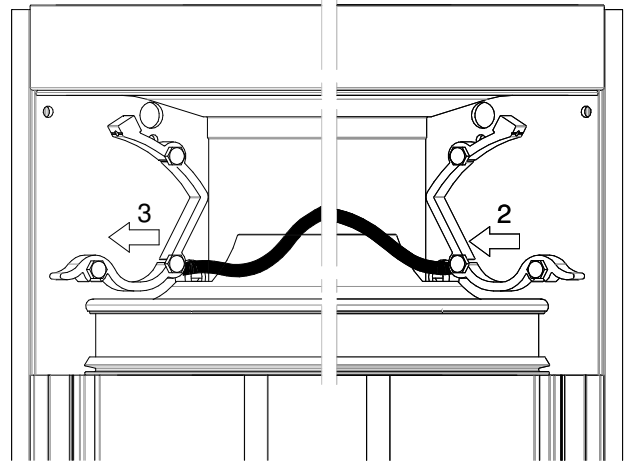
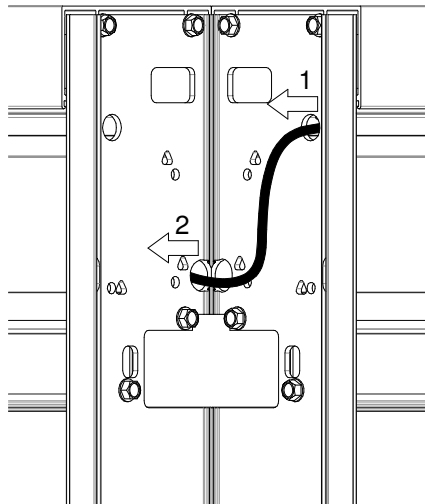
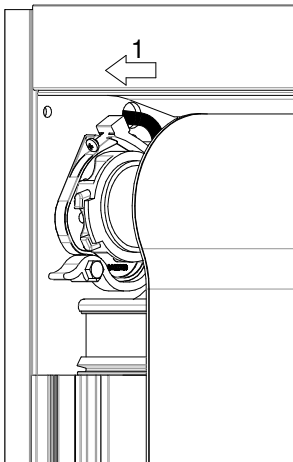
COUPLE/DOORPROFILE

- › Fix the rollertube support on the vertical poles as shown underneath.
- › Do "not" use a ring on the side where the rollertube support is installed.
- › Two rollertube supports can be installed at each pole
- › Tilt the screen in the brackets as shown on the drawing (2), and secure them at both ends (M4x20) (3).

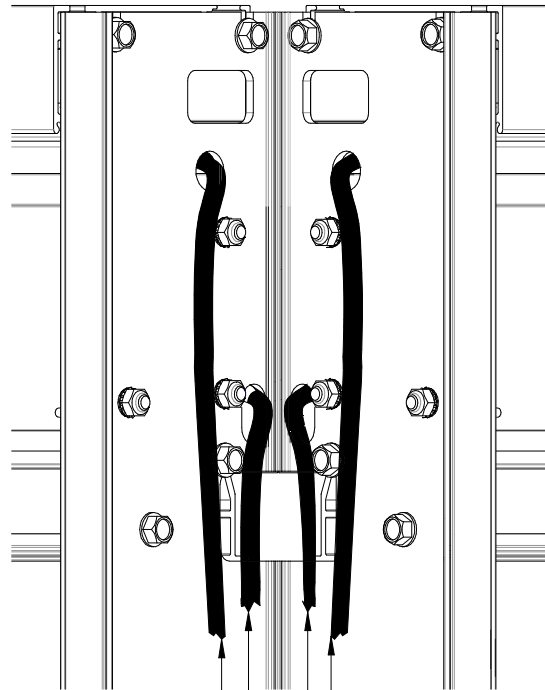


5.b MOTORCABLE

- › Place the cable as shown below.
- › numbers 2 and 3 only count for the most distant screens (number 1 on the diagram on top of this page)
- › Hide the cable behind the PVC fabric protection
- › In some cases it may be necessary to hide the cable behind its own rollertube !



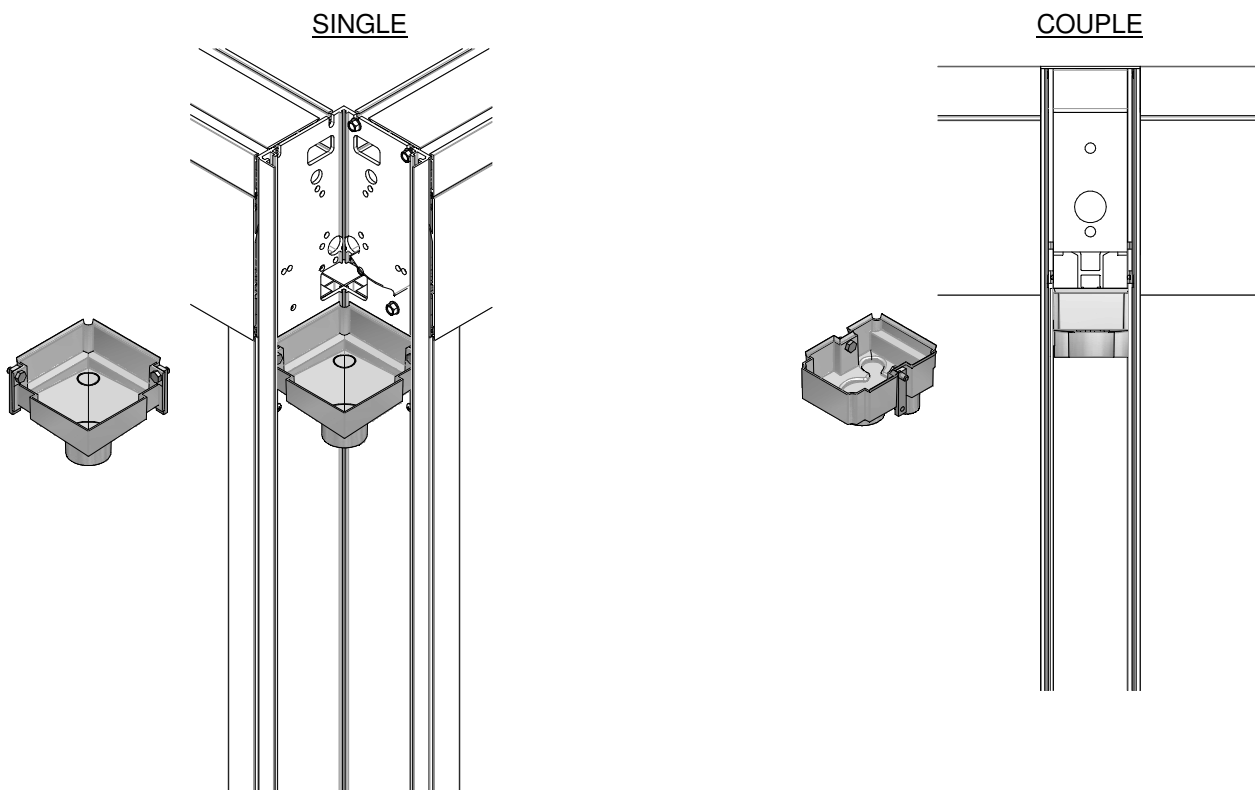
- › After installing all the motors, the vertical pole with the electrical supply should look like this:
- › The number of cables depend on the numbers of screens that have been installed.
- › The connection of the cables will be explained later on.



Cable screenmotor (nr 2 on previous page)
 Cable screenmotor (nr 1 on previous page)
 Cable screenmotor (nr 1 on previous page)
 Cable screenmotor (nr 2 on previous page)

6. DRAIN

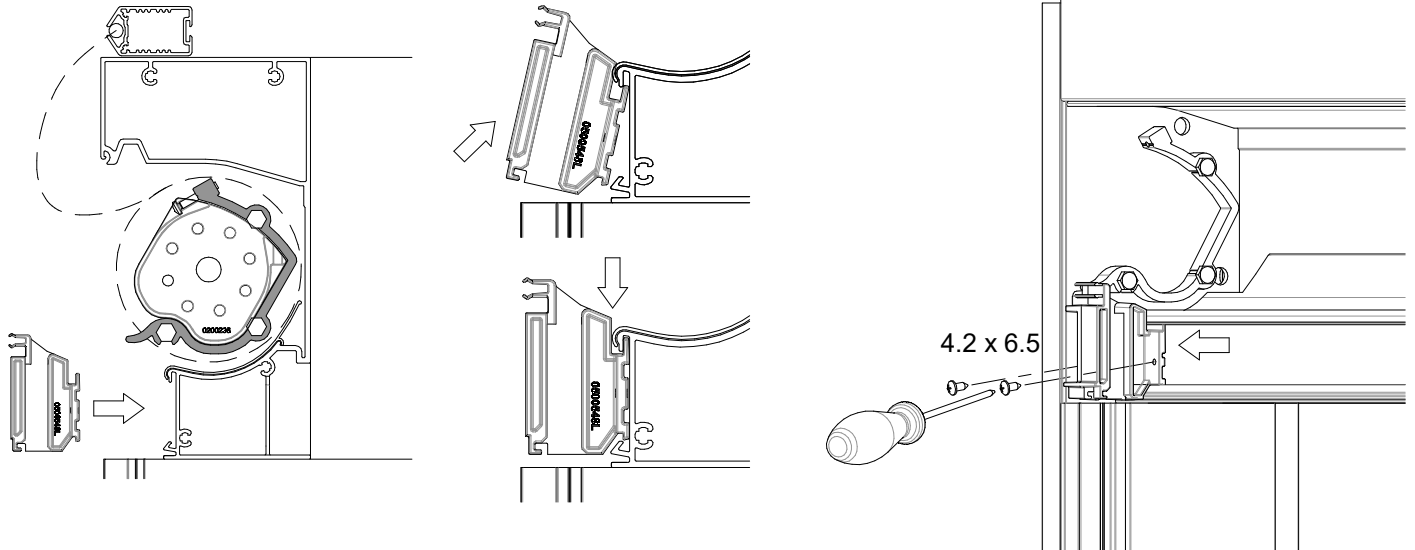
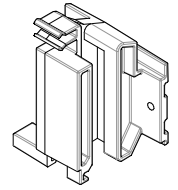
- › Place in one or more vertical pole a support for the drain.
- › Preferably, the drain is placed at the lowest side of the roof. (1 drain every 49ft²)
- › Tighten all bolts.
- › The water evacuation pipe can not be installed in a door profile.



7 SCREEN GUIDES

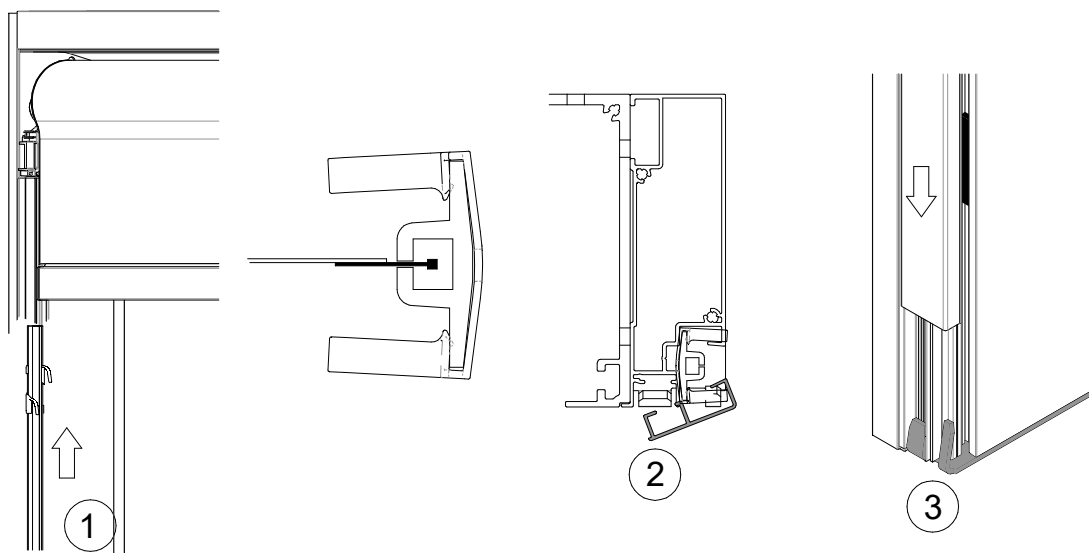
7.a GUIDES LEADRAIL

- › While mounting the plastic guides, place the leadrail on top of the screen.
- › Place the plastic guides in the groove under the rollertube.
- › Slide them completely to the left and right side of the screen, and secure them with two screws.
- › Push the pieces down while tightening the screws.

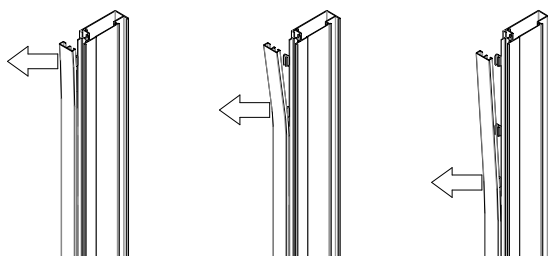


7.b PVC - GUIDES

- › Slide the leadrail, left and right, in the plastic guides and lower the fabric 11-3/4”.
- › Slide the PVC-guide over the zipper that has been welded to the fabric.
- › Hook the cover over the PVC-guide.
- › Close the guide at the bottom, and move the cover down over the pins that are mounted on the bottom of the guides.
- › Close the guide completely.

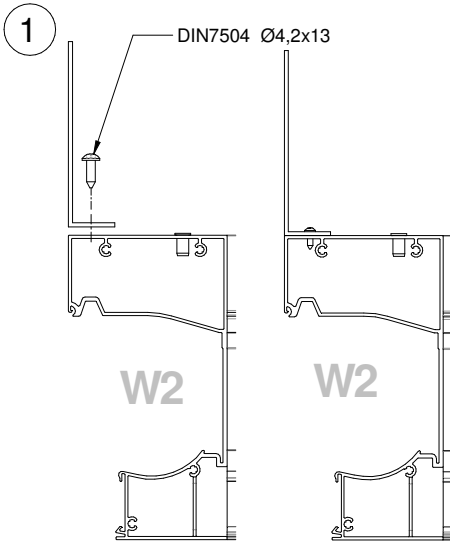


- › **WARNING** when opening a side guide.
- › When opening a side guide you must start at the upper clips and go down one by one.
- › Pull as close as possible on the clips profile in order not to deform it.

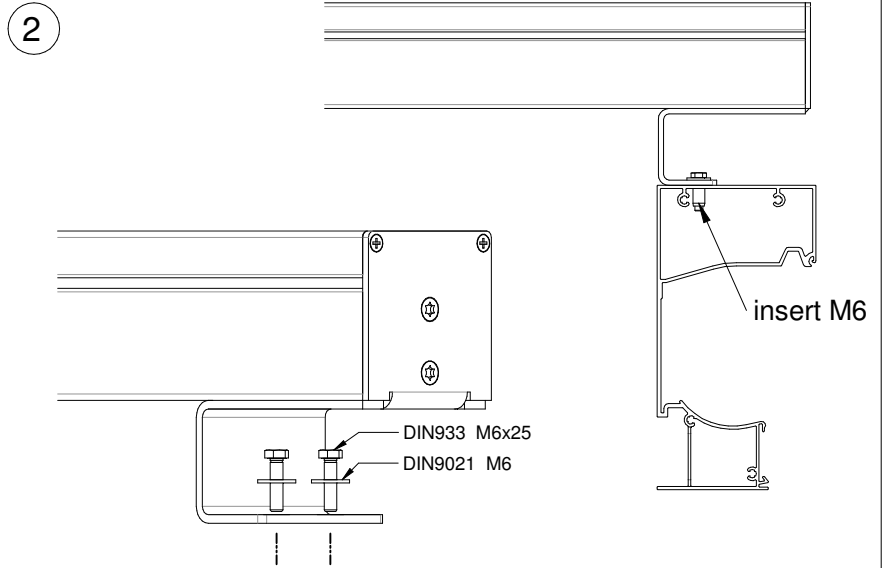
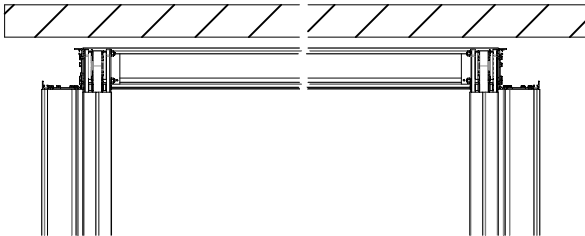


8 ASSEMBLY SLIDING COVER

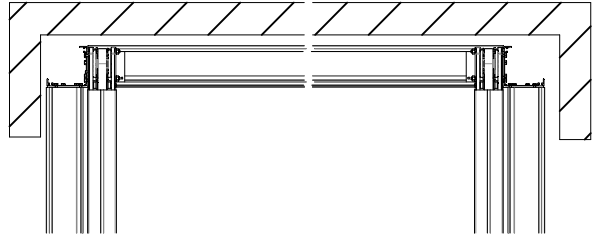
8.a ARMS AND ROLLERTUBE



1. STAND ALONE

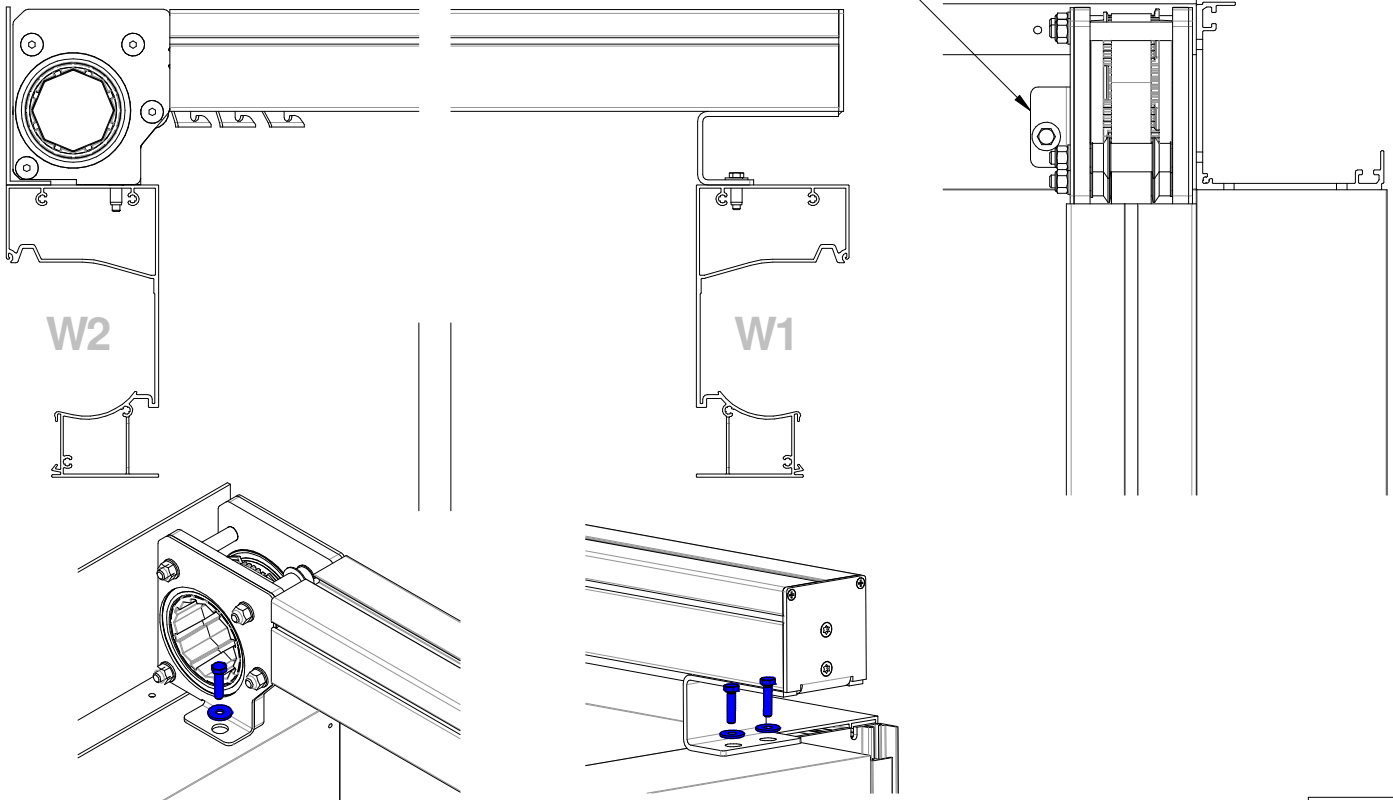


2. ENCLOSED MODULE

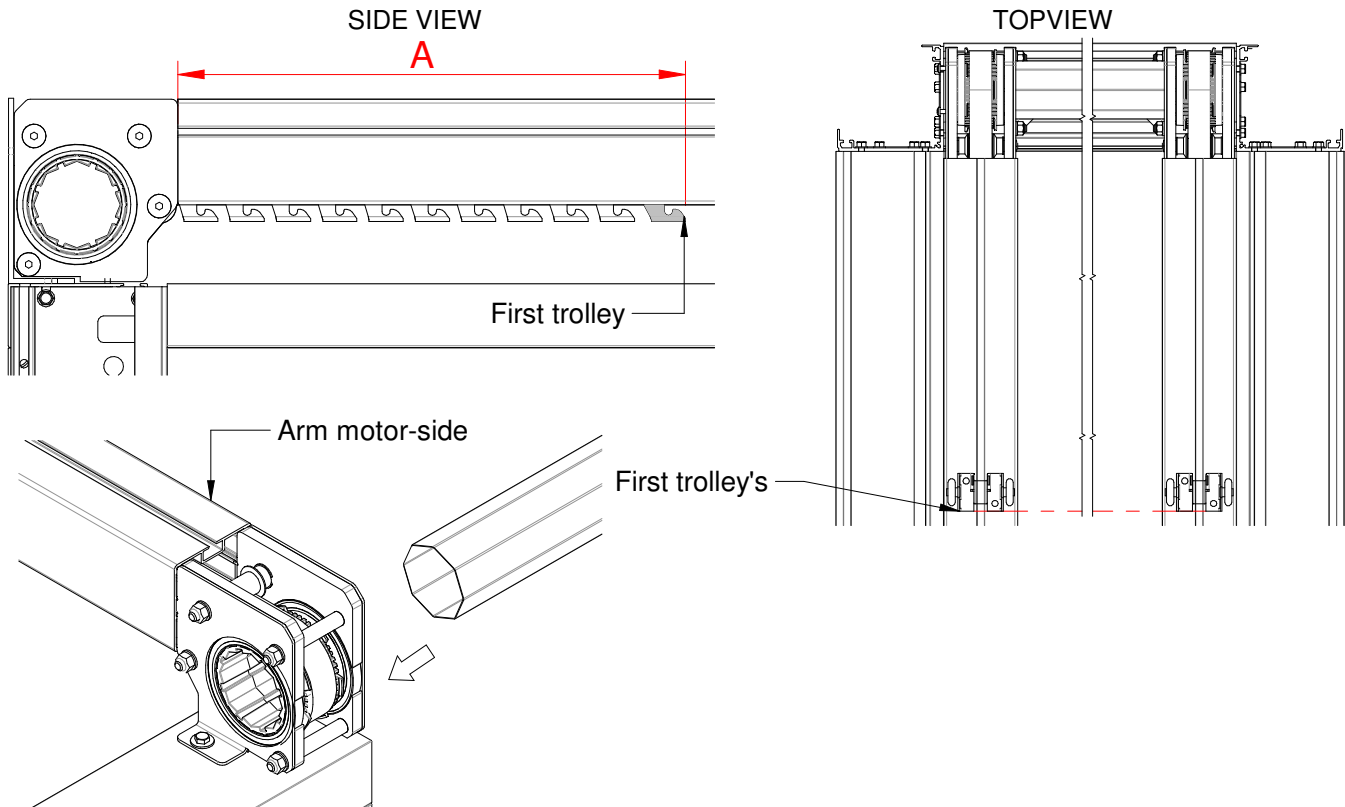


1. STAND ALONE

- > Place the arm on the main housings and make sure that the end and head piece cover the inserts M6.
- > The arm with the longest hooks is positioned on the side to which you want the rainwater to flow, with the arm with the shortest hooks on the other side. With a construction with 3 arms you position the third arm in the middle.
- > Position the arm parallel to the frame and place the outer arms right next to the vertical poles. See drawing.
- > Make sure the attachment lip on the rollertube-side of the arm is directed to the inside.
- > Tension the bolts at the end and head piece.

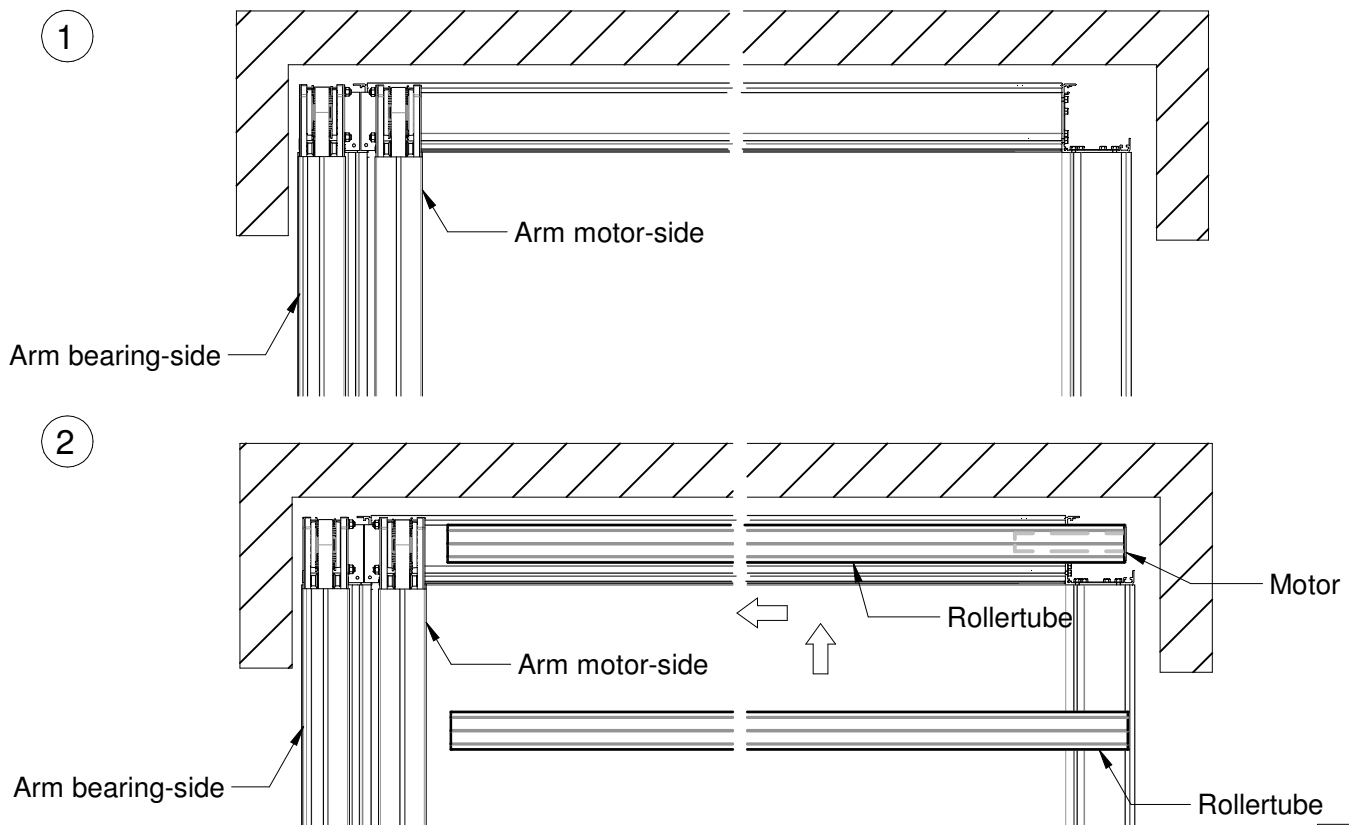


- › Check if the first trolley of each arm is in the same position (dimension A)
- › In case it's not, turn the belt until they are in the same position.
- › After checking the position, slide the rollertube through the bearings, first slide through the arm at the motor side.

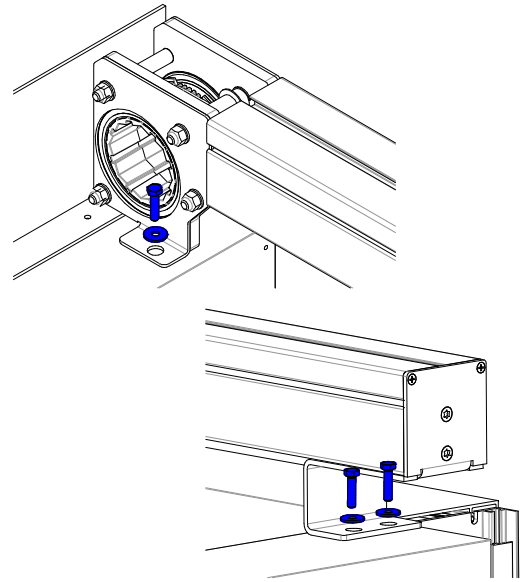
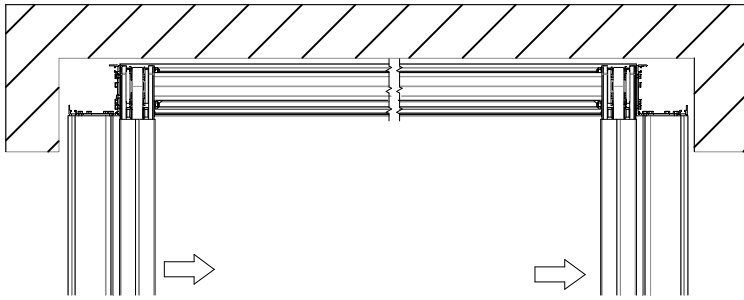


2. ENCLOSED

- › The arm with the longest hooks is positioned on the side to which you want the rainwater to flow, with the arm with the shortest hooks on the other side. With a construction with 3 arms you position the third arm in the middle.
- › Place the arms on the main housings and slide them together to the bearing-side just above the main housing L-side. (1)
- › Make sure the first trolley of each arm is in the same position (see previous page).
- › Slide the rollertube through both arms, first through the arm on the motor-side. (2)
- › Split up the arms again until they are positioned right next to the vertical poles. Then put the head piece and end piece of both arms over the socket set screws . (3)
- › Put the nuts on the socket set screws at the head and end piece. (3)

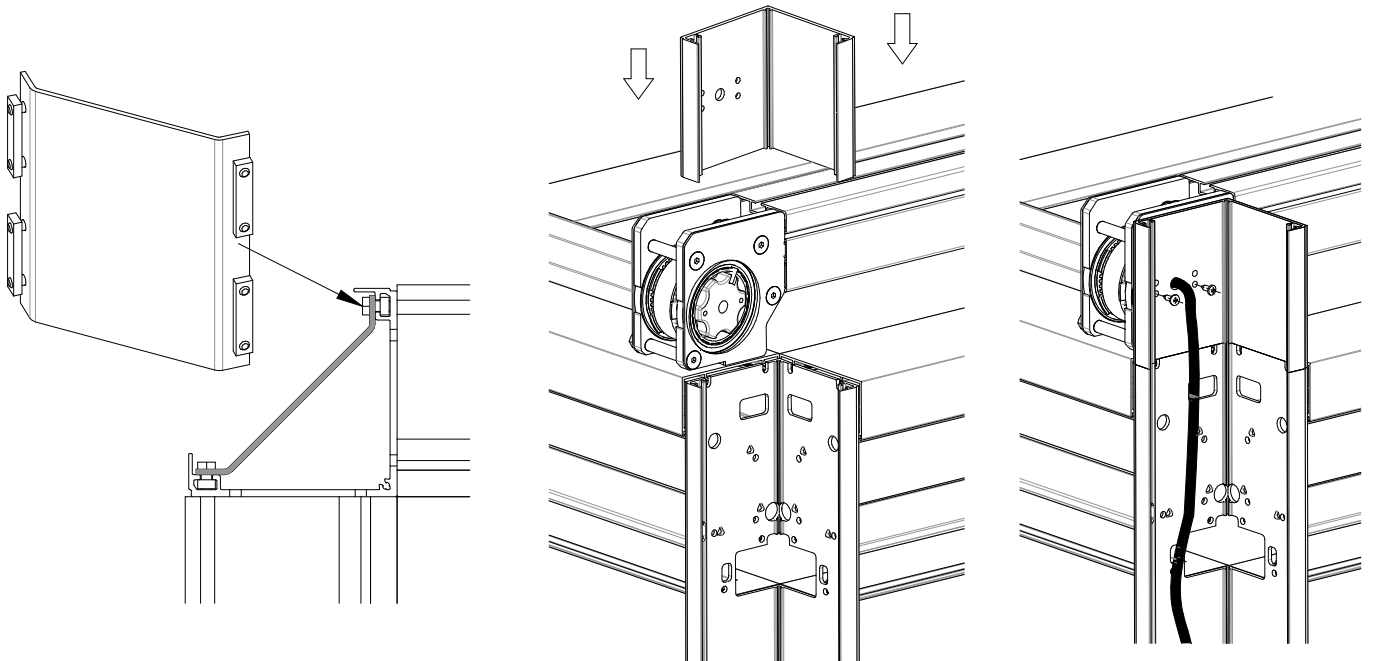


3



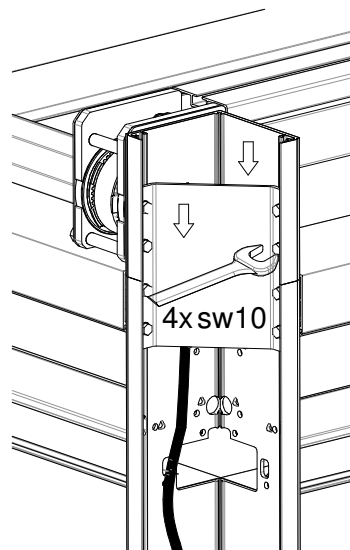
8.b CORNER REINFORCEMENT

- > Take the corner reinforcement out of the pole and place the pole extension on the pole, with the holes directed to the arm.
- > Guide the motor cable through the big hole and fix the motor with 2 screws.



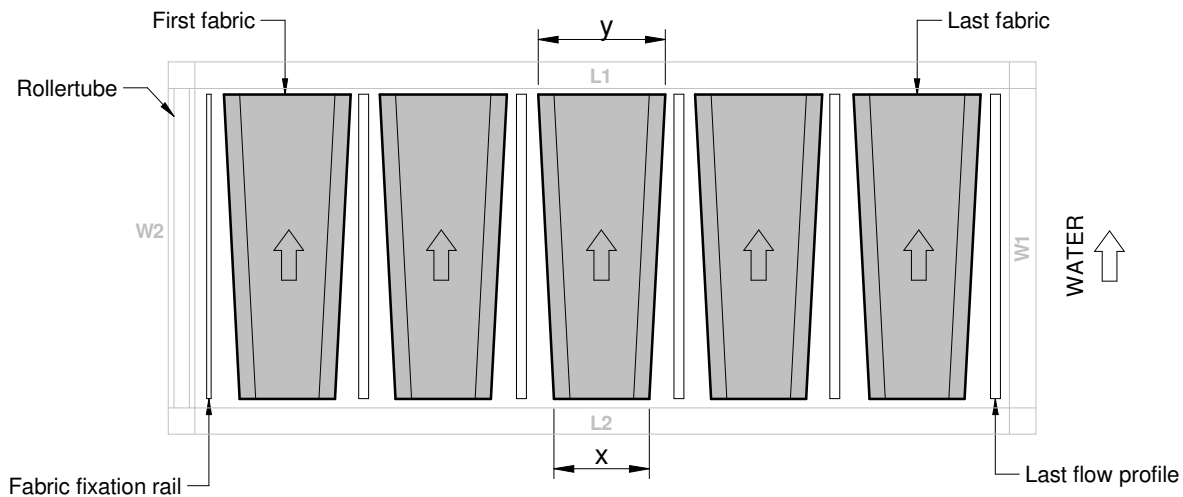
8.c EXTENSION VERTICAL POLE

- > Slide the corner reinforcement back in the pole and make sure it's placed half in the pole, half in the extension.
- > Tighten the bolts in order to fix the corner reinforcement.

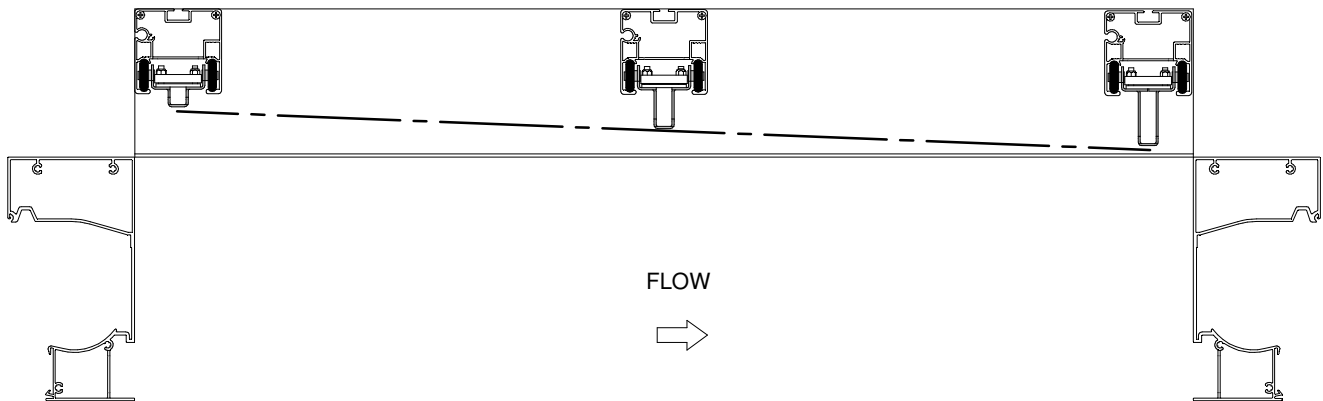


8.d DRAIN SIDE

› On the first fabric fits a smaller profile than on the others. This is the fabric fixation rail that will be mounted on the frame at the rollertube-side (W2-side). The rainwater will flow to the widest side of the fabric. This is the L1 or L2 side that you opted for when ordering (see figure).

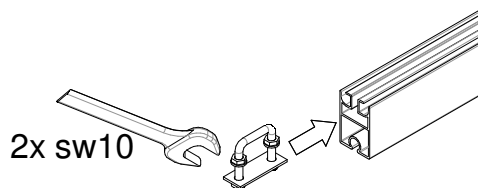


› Make sure that the arms are in the correct order. The arm with the longest hooks is on the side to which the rainwater must flow (see figure).

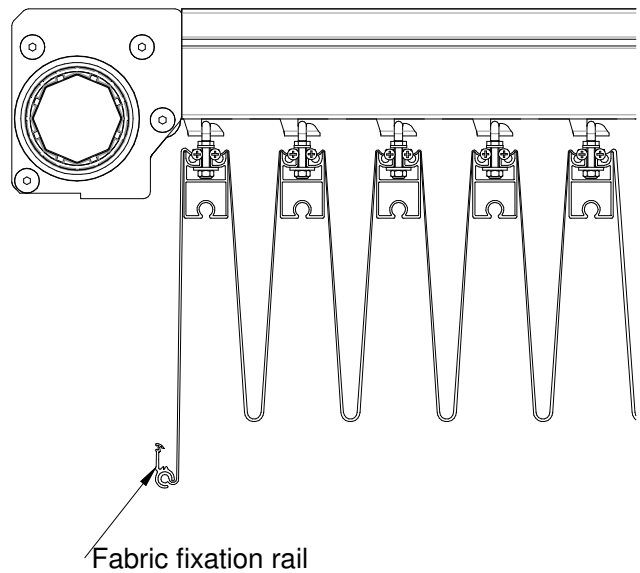
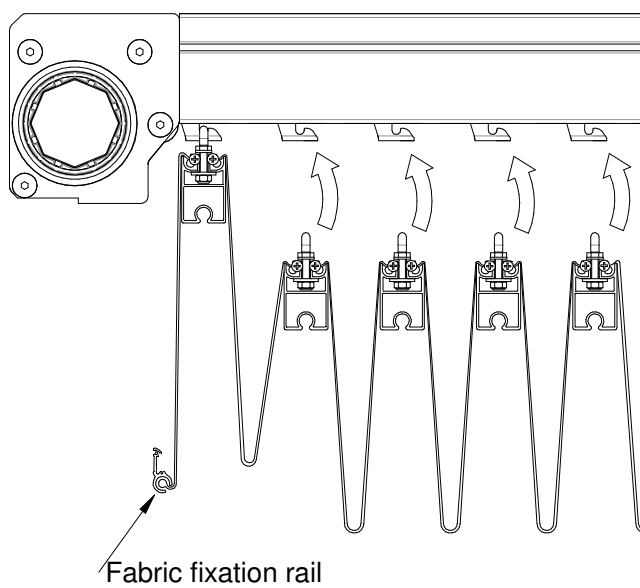


8.e MOUNTING THE FABRIC

- › Provide each flow profile with 2 hooks at the ends of the profile and fix these.
- › The plate of the hook has to come as far as the side of the profile.
- › In case of a 3 arm system, provide a hook in the middle of each profile.

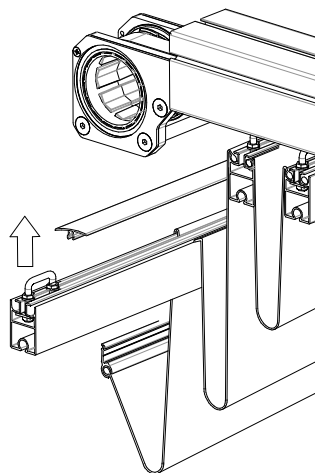


- › Hook the first flow profile in the first trolleys, the second flow profile into the second trolleys,...

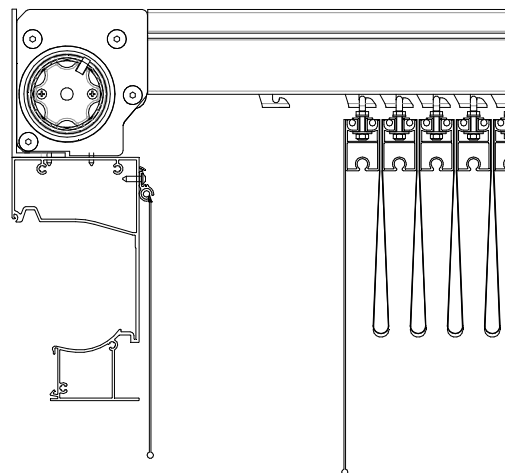
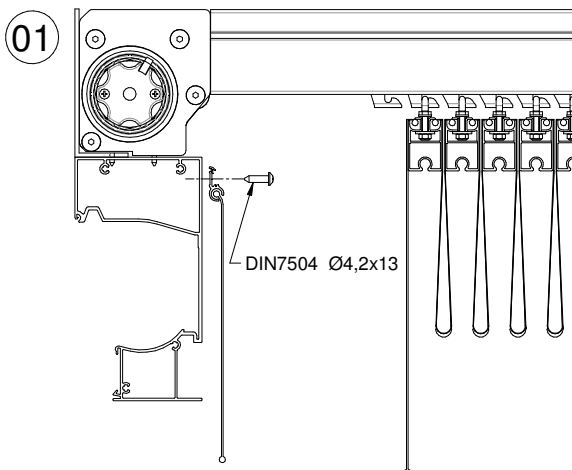


8.f MOUNTING THE FABRIC FIXATION RAIL

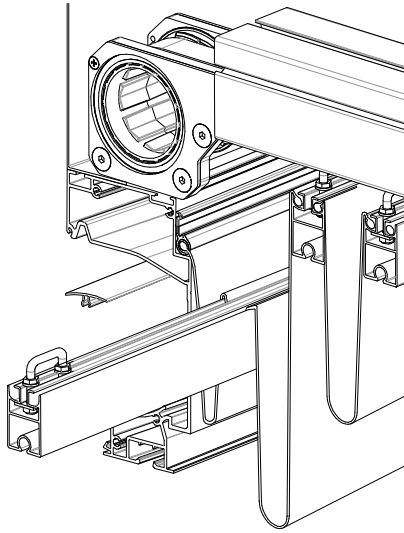
- › Unhook the first flow profile from the trolley, and unclip the cover from the flow profile.
- › Slide the profile out of the fabrics.



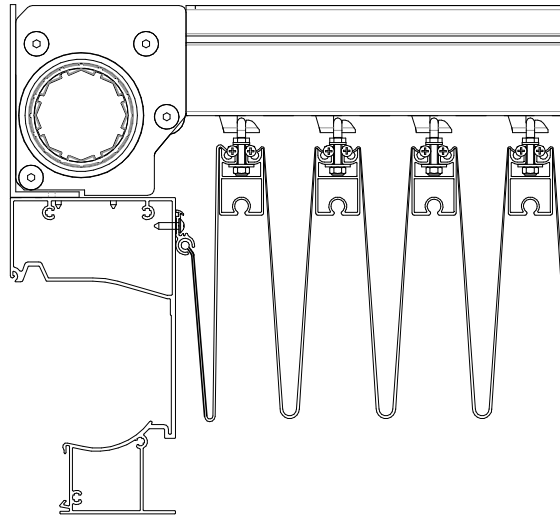
- › Screw the fabric fixation rail to the frame. (1)
- › Re-slide the first flow profile on to the first and second fabric. (2)
- › Clip the cover on the flow profile and hook the first flow profile into the first trolley. (3)
- › Provide each trolley of a blocking. (4)
- › Provide each flow profile with an end cap at both sides. (5)



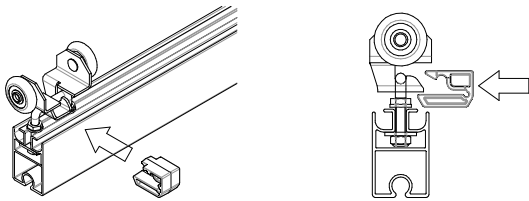
02



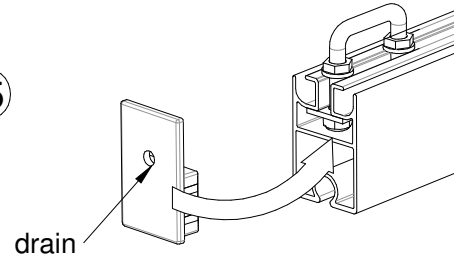
03



04



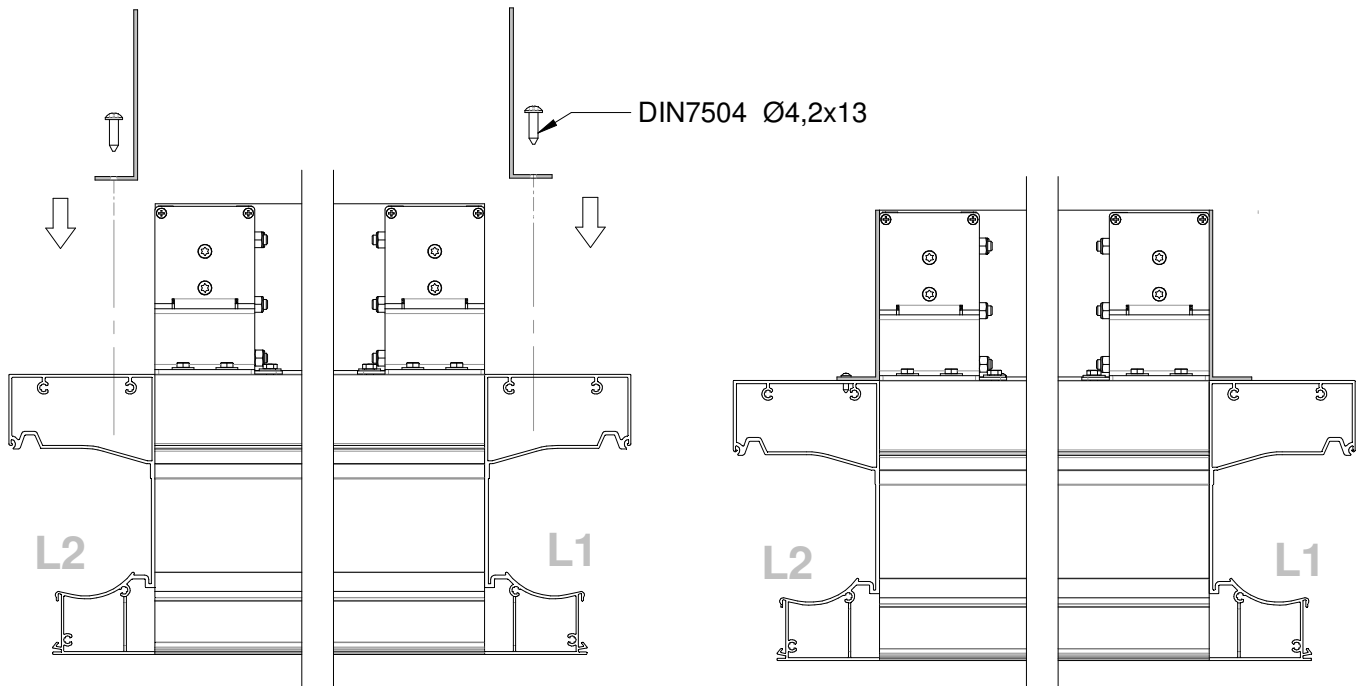
05



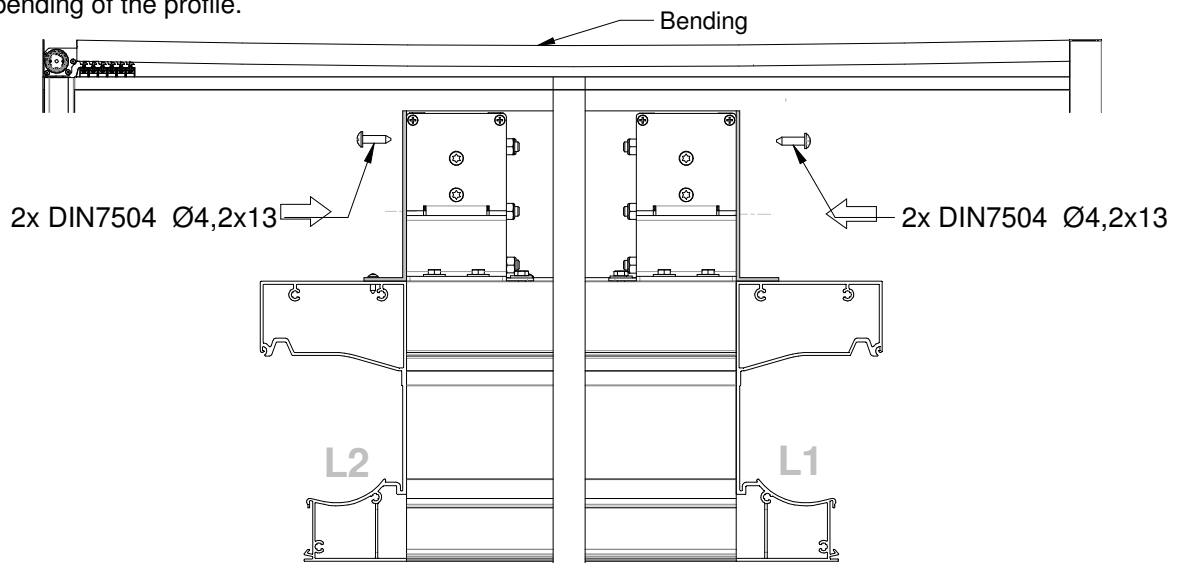
9. FINISHING ROOF

9.a COVERPLATES W-AND L-SIDE

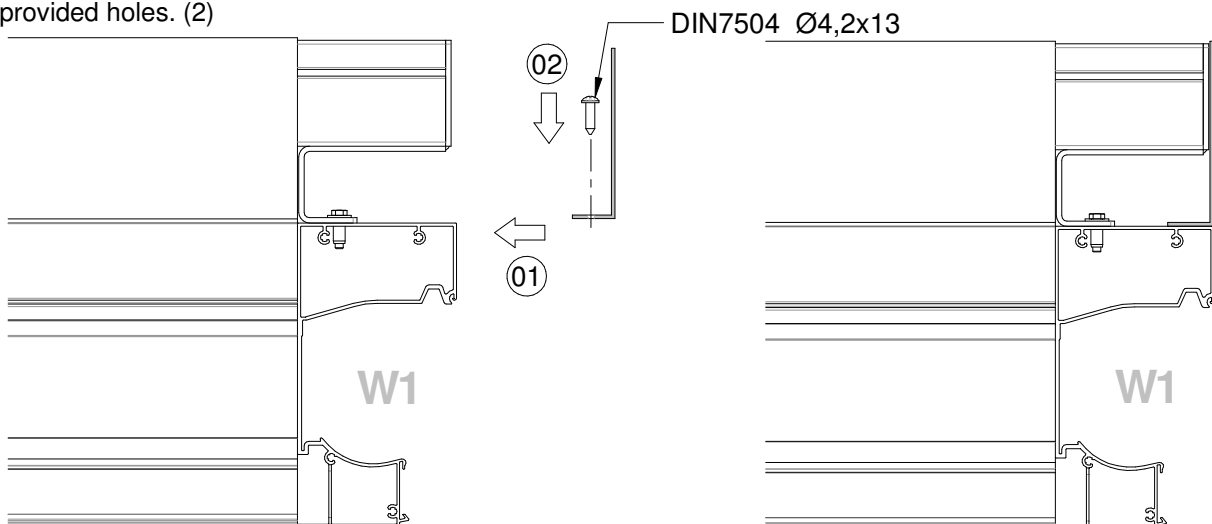
- › Place the 'cover plates L-side' on the frame with the long side towards the arms.
- › Fix the coverplates on the frame, screw through the provided holes.



- › In case of projection > 4m, also screw the cover on the arm through the provided holes in the middle of the cover. This is to prevent bending of the profile.



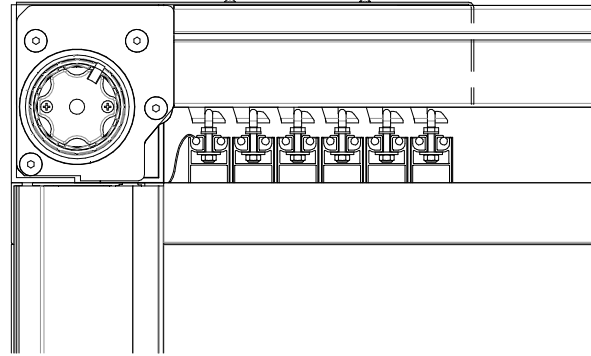
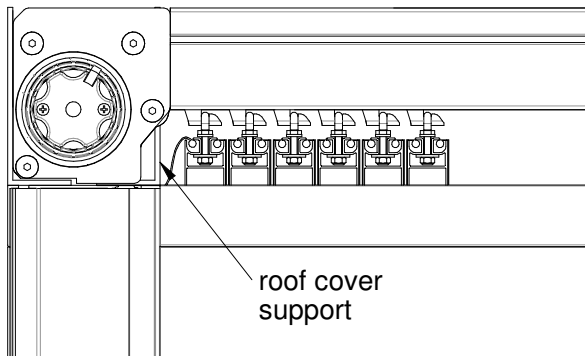
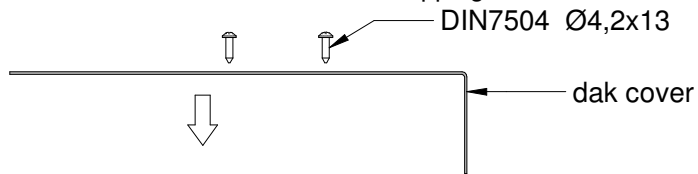
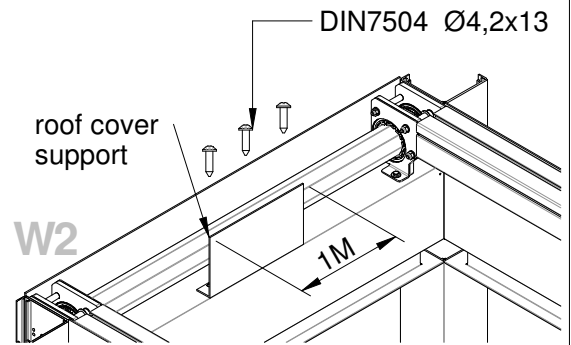
- › Fix the second 'cover plate W-side' on the frame: slide the cover under the end pieces of the arm (1) and screw through the provided holes. (2)



9.b ROOFTOP COVERS

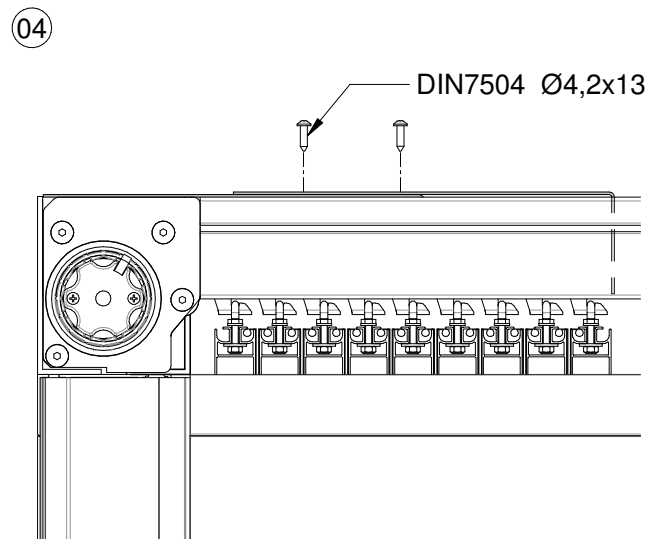
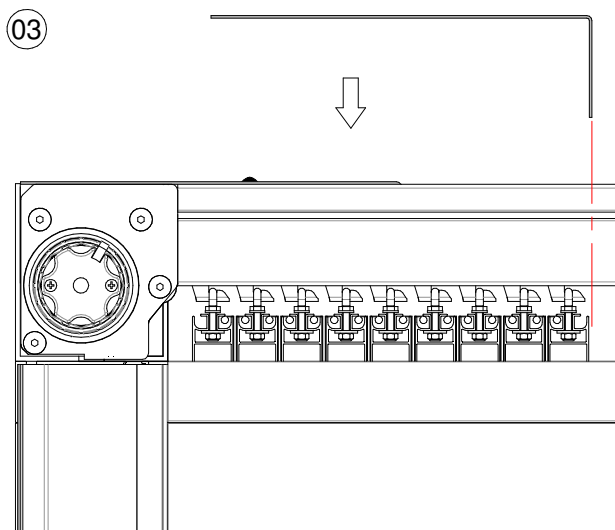
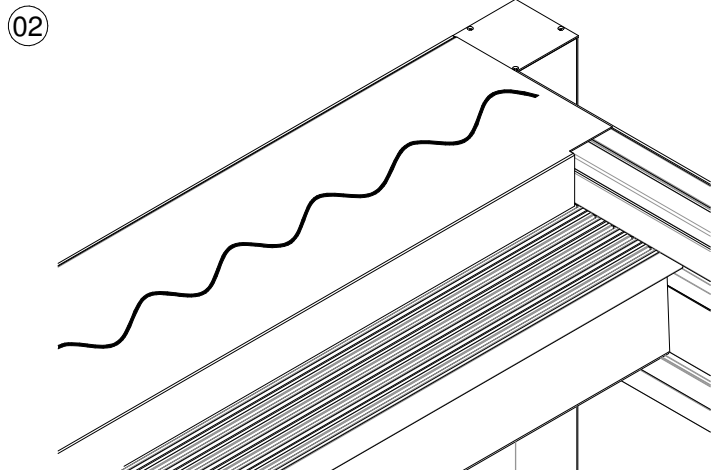
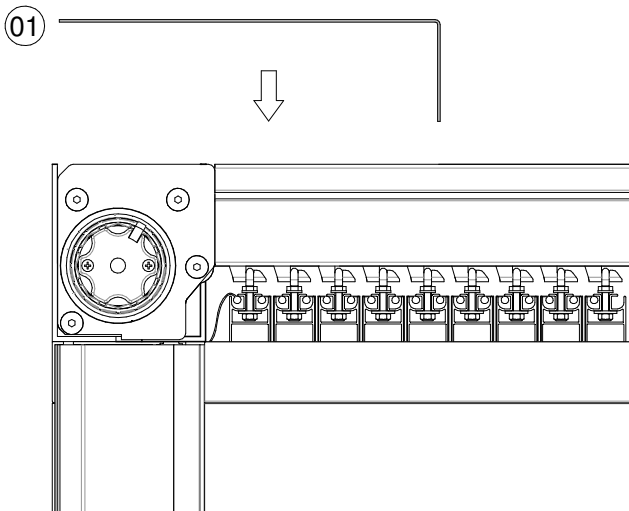
PROJECTION < 3M: SINGLE ROOF COVER

- › First place the roof cover support centrally on the mainhousing. ⇒
- › Place the roof cover as pictured below.
- › Fix the cover on the arms with self tapping screws.



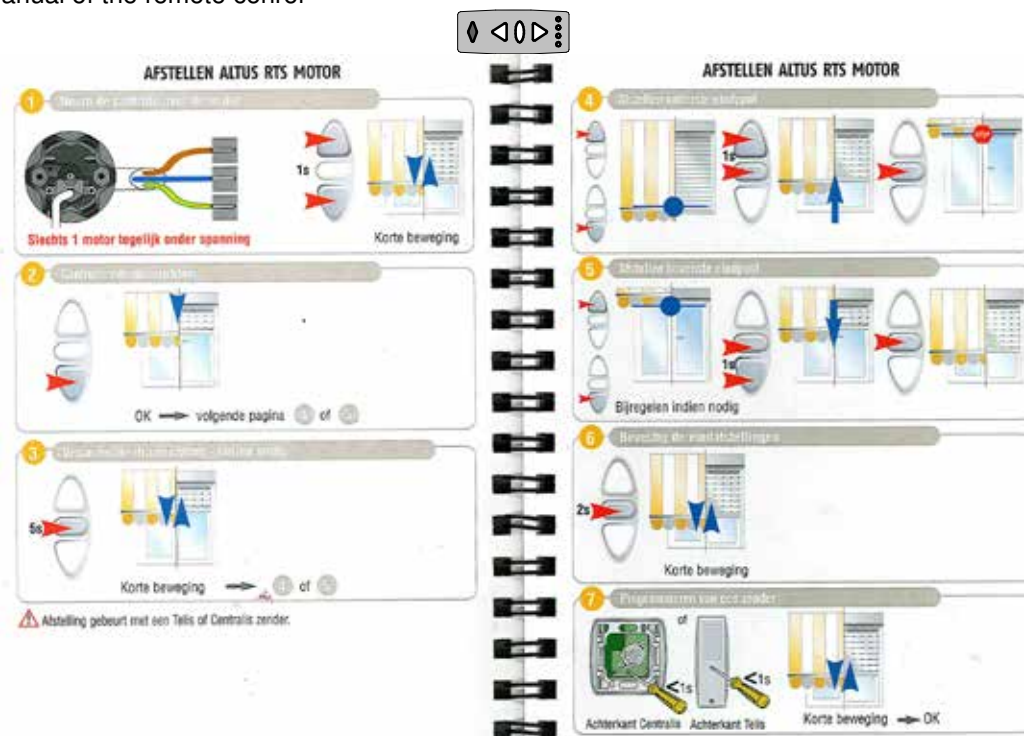
PROJECTION > 3M: DOUBLE ROOF COVER

- › Place the first roof cover over the rollertube and on the arms. (1)
- › Apply a continuous stroke of silicone on the total length of the cover. (2)
- › Place the second cover over the first cover and make sure the vertical lip is located beyond the last flow profile. (3)
- › Fix the plates with self tapping screws. (4)



10 PROGRAMMING THE SCREENMOTOR AND FABRIC MOTOR

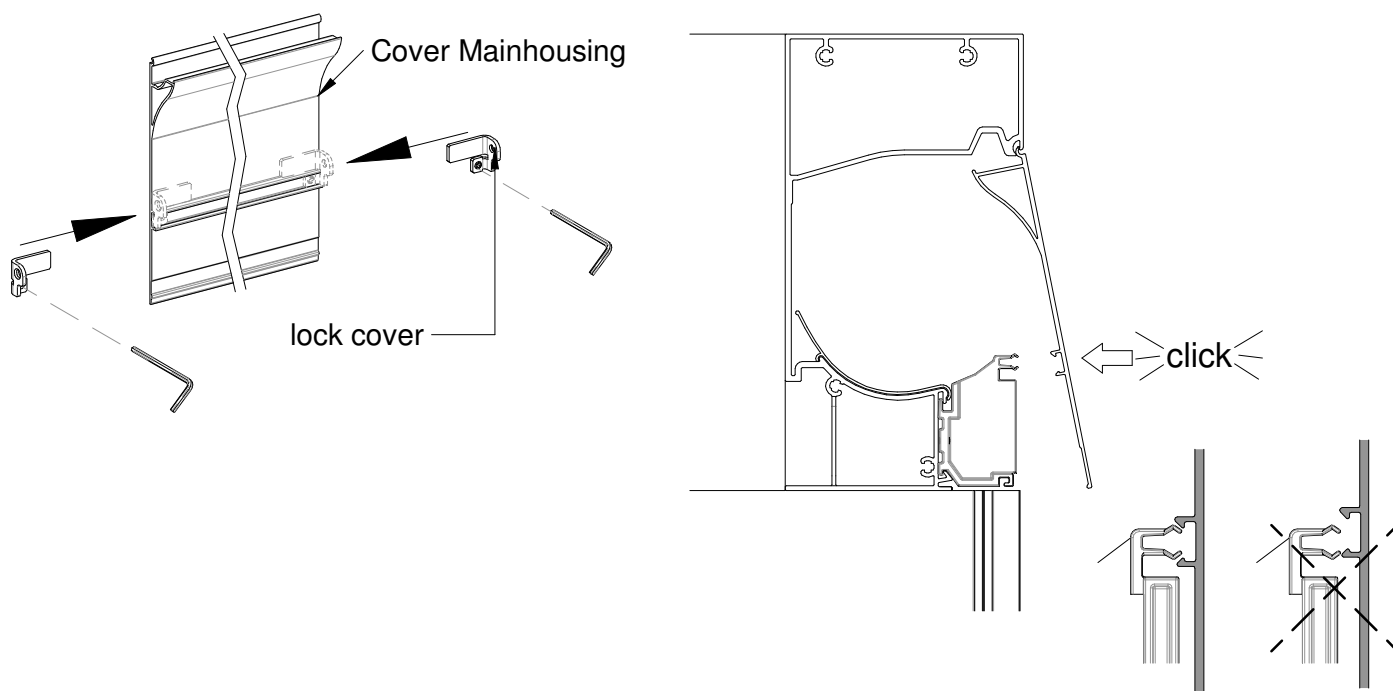
› See manual of the remote control



- › When there are multiple screens:
- › Connect one of the motors to the electricity grid (230V).
- › Adjust the endpoints and assign the remote control to the motor.
- › DISCONNECT the motor from the electricity grid!
- › Do the same with the other motors, connect them to the electricity grid one by one.
- › Once all motors have been adjusted, connect them to the electricity grid again.

11 SCREEN COVER

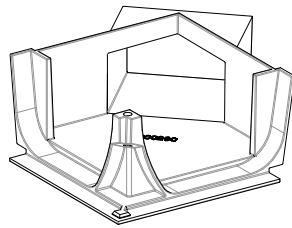
- › Hook the cover in the screen housing, and close it on the left and right side of the cover
- › Make sure that the PVC clips are well positioned while closing the cover.



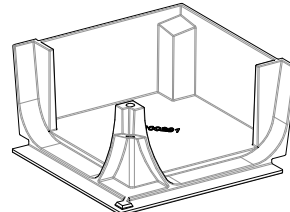
12. PLACING THE RAIN GUTTERS

12.a CORNER PIECE

- › Preferably the drain will be installed at the lowest side of the roof, place one draining point every 15m².
- › Put the corner pieces in the holes in the vertical poles.
- › Drain can be placed in a vertical pole and a couple pole. (2 sides)

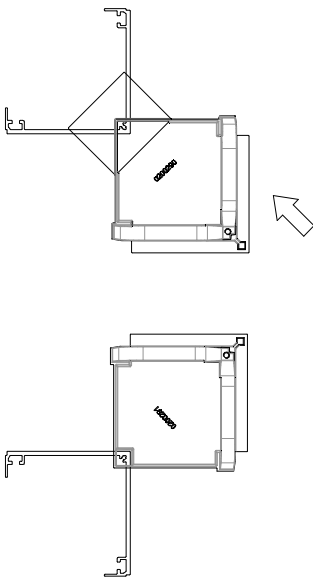


WITH DRAIN

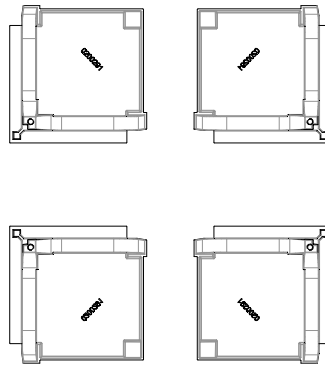


WITHOUT DRAIN

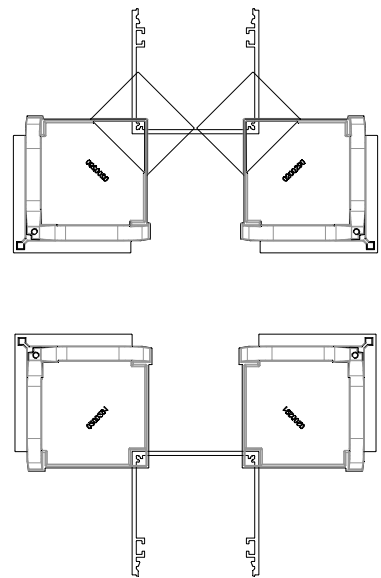
SINGLE



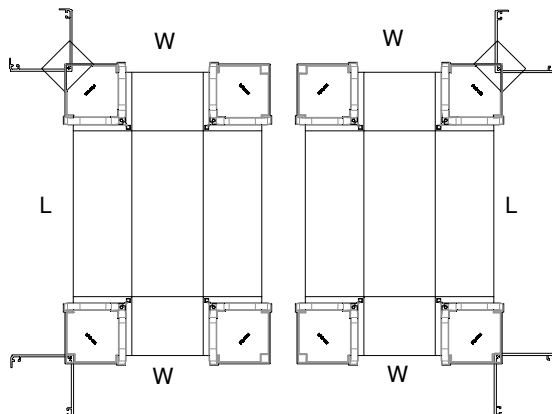
MIDDLEGUIDE
ROOF IN 2 PARTS



COUPLE

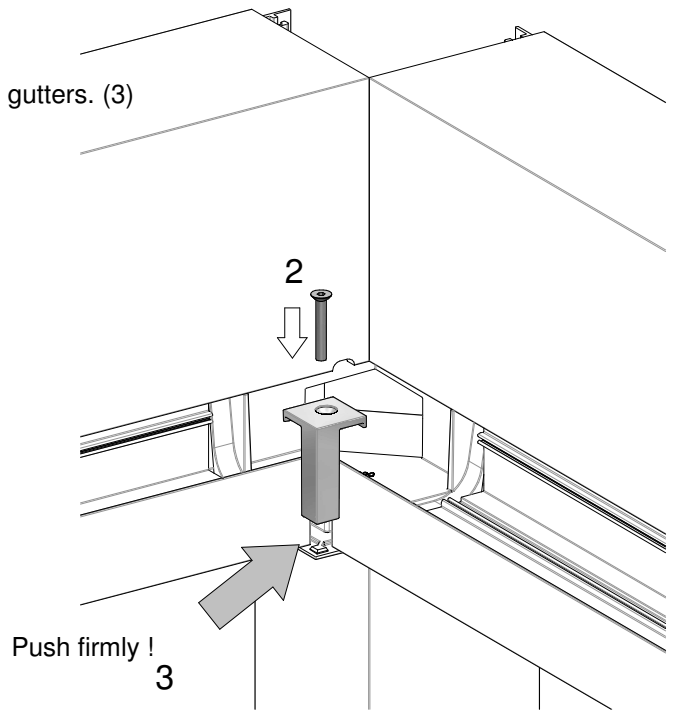
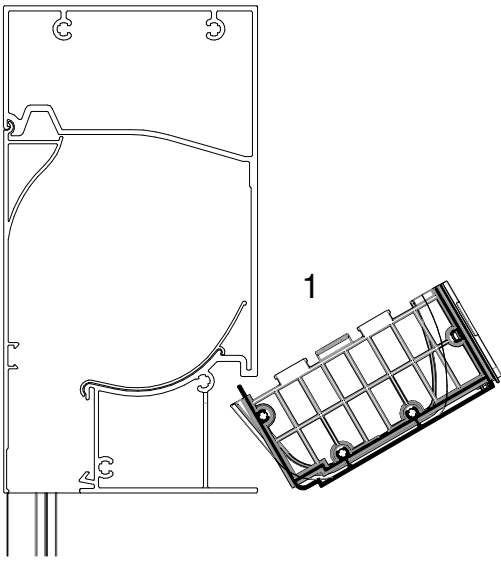


- › **REMARK:** a roof in 2 parts has 2 water circuits.
Open at least one water evacuation hole per part.

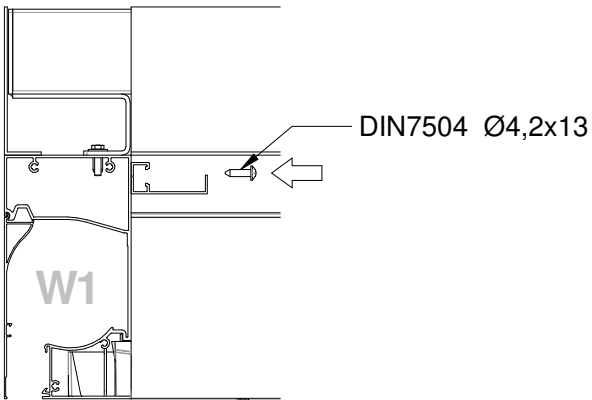


12.b RAIN GUTTER

- › Turn the rain gutters in position starting from the top (1).
- › Make sure the gasket is not damaged !
- › First close the roof so it's not interfering.
- › Screw the corner piece (M6 x 40) (2).
- › While screwing, push the corner piece firmly against the rain gutters. (3)



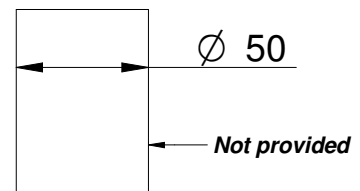
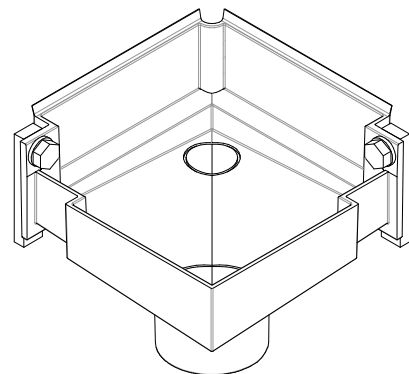
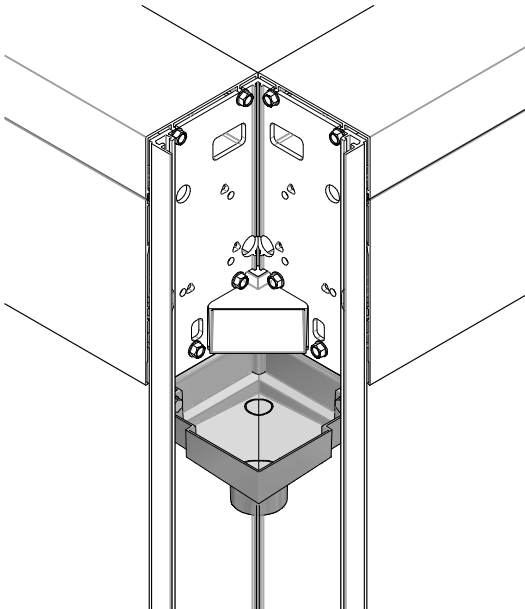
Place a first louvre on the mainhousing on the W1 side.



13. FINISHING

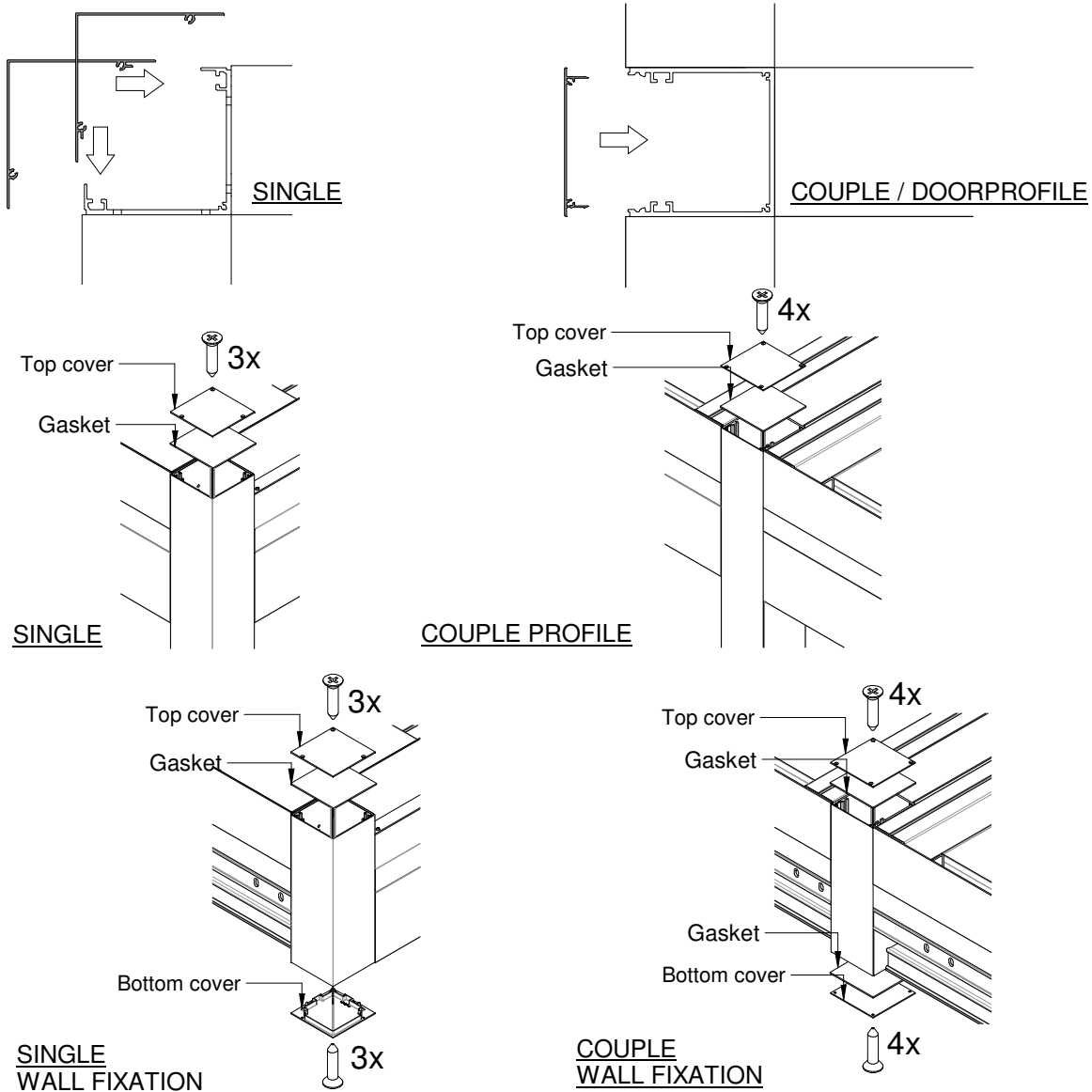
13.a DRAIN

- › Place the necessary parts at every draining point.



13.b COVER VERTICAL POLES

- › Place a cover on every vertical pole, and secure the cover by mounting a top cover on top of the poles.
- › The cover can be mounted in two directions.

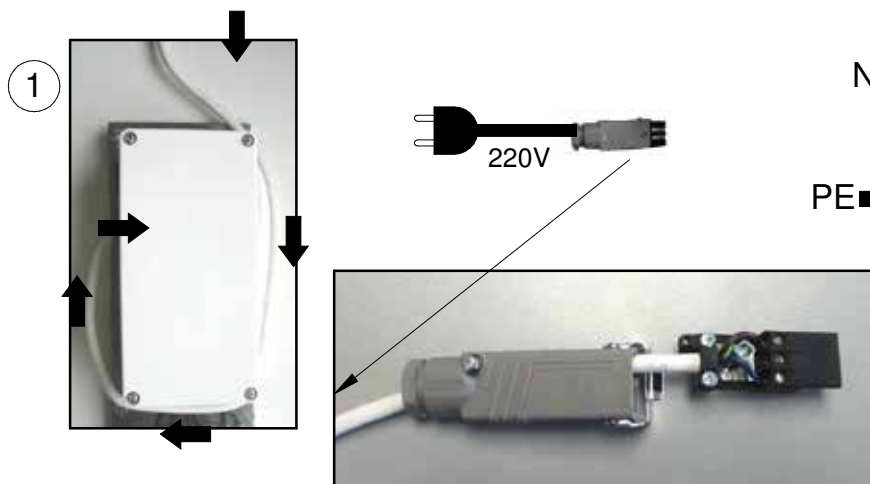


14. WIRE DIAGRAM

IMPORTANT; pass the cables at the side of the box, as shown below (1).
do not drill any hole at the top of the box !

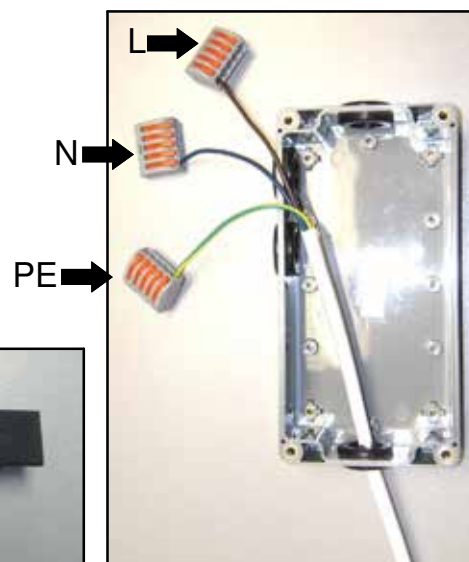
14.a ELECTRICITY GRID

- › Connect the waterproof plug on the electricity grid.
(Use the outer connectors.)



14.b SCREENS

- › Connect the screens to the electricity grid, 220V.



• • • • •

eindkontrolle kwaliteitsnummer - numéro de contrôle final - final inspection quality number - Endkontrolle Qualitätsnummer

stempel - adres verkoper-installateur
cachet - adresse vendeur-installateur
stamp - address seller-installer
Stempel - Adresse Verkäufer-Installateur