

B150(XL)-ODL

HOLIDAY AT HOME

Mounting instructions



OUTDOOR LIVING by
BRUSTOR 

www.brustor.com
EN V2018.01

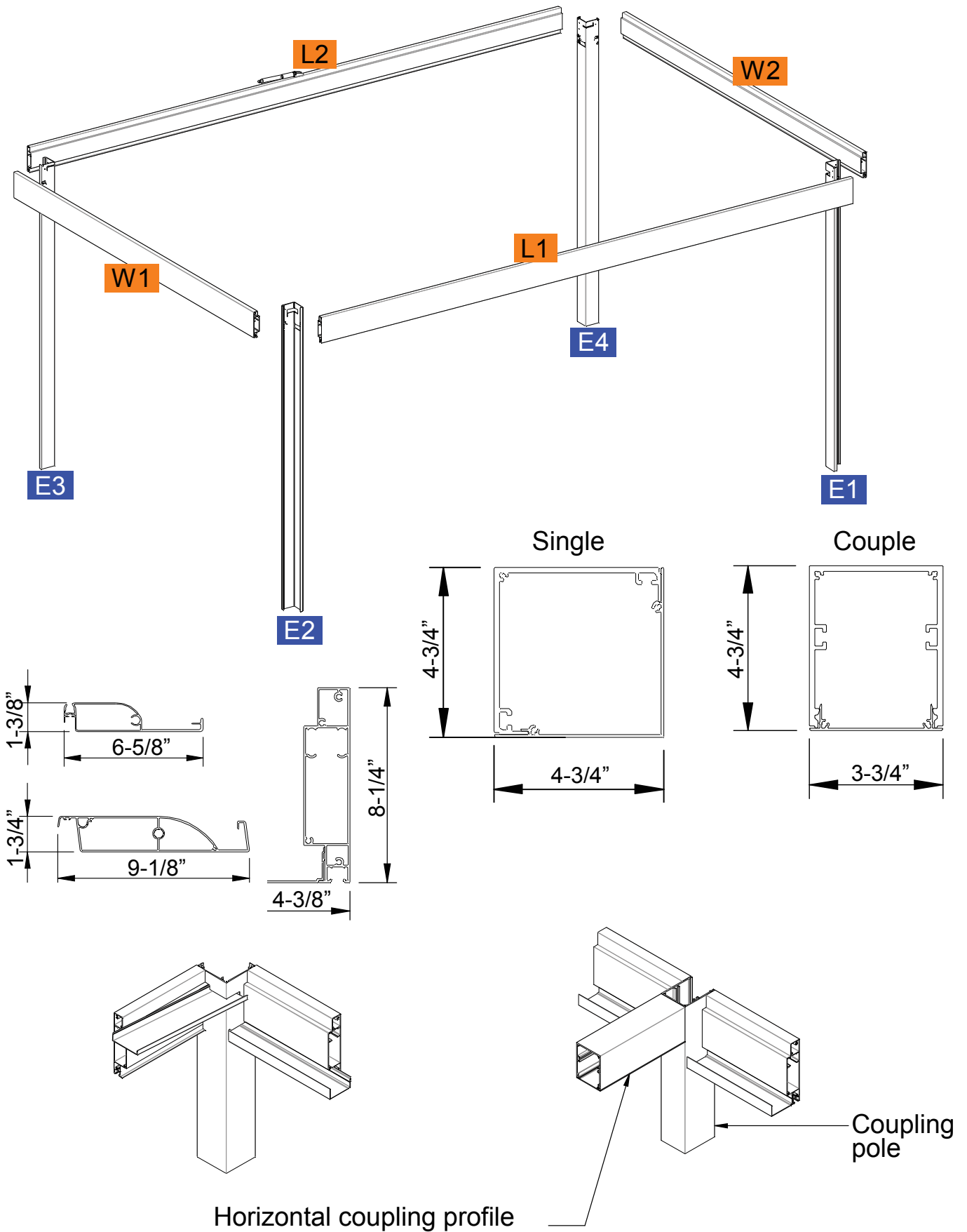
TABLE OF CONTENTS



3	0. OVERVIEW
4	1. PLACING THE SUPPORTS
4	<i>1.a Stand Alone</i>
5	<i>1. b Wall Fixation</i>
5	2.PLACING THE VERTICAL POLES
6	3. MOUNTING THE CROSS MEMBERS
7	4. ADJUSTING THE CONSTRUCTION
7	<i>4. a Levelness</i>
7	<i>4. b Perpendicularity</i>
8	5.LOUVRES
8	<i>5. a Placing the Louvres</i>
8	<i>5. b Louvres with LED-strip</i>
9	<i>5. c Connecting Louvremotor</i>
9	<i>5. d Connecting the louvres</i>
9	<i>5. e Programming the LED-strips</i>
8	6. FIRST LOUVRES
12	7. RAIN GUTTERS
13	8. DRAIN
15	9. FINISHING
15	<i>9. a Reinforcement</i>
15	<i>9. b Cover Vertical Poles</i>
17	10. WIRE DIAGRAM
17	<i>10. a Louvremotor</i>
18	<i>10. b LED lights</i>
18	<i>10. c Rain Sensor</i>
19	11. WARRANTY CERTIFICATE

0. OVERVIEW

› Check if all parts are present, and check if the dimensions are as ordered.

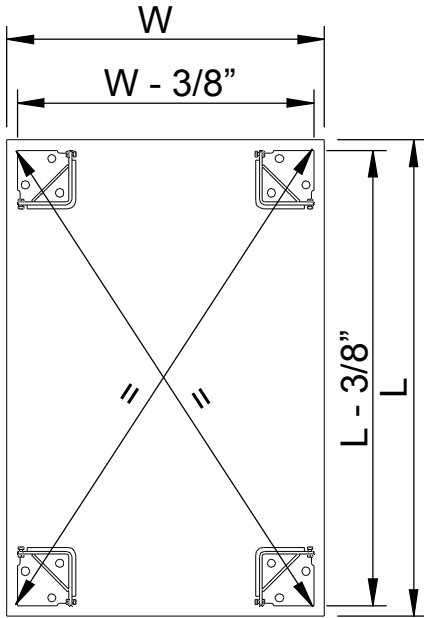


1. PLACING THE SUPPORTS

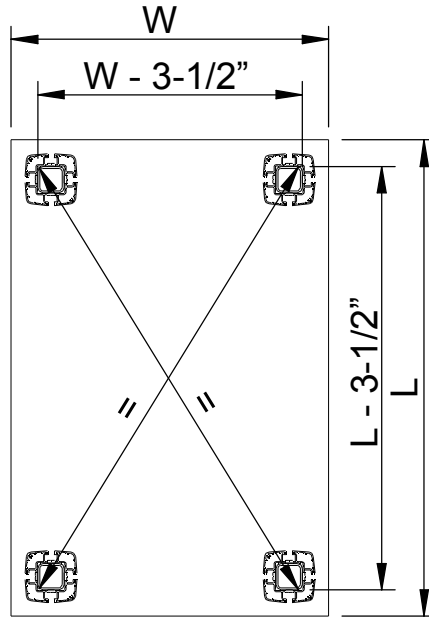
- › Place the supports as indicated on the following drawings.
- › Check the diagonals, the difference should not be more than 1/4".

1.a STAND ALONE

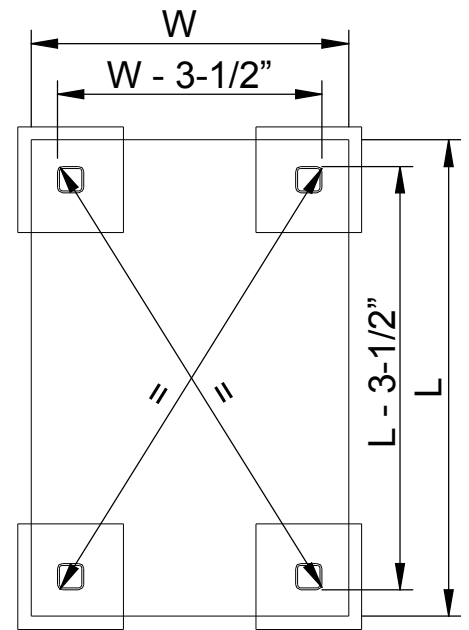
SINGLE



Pole support

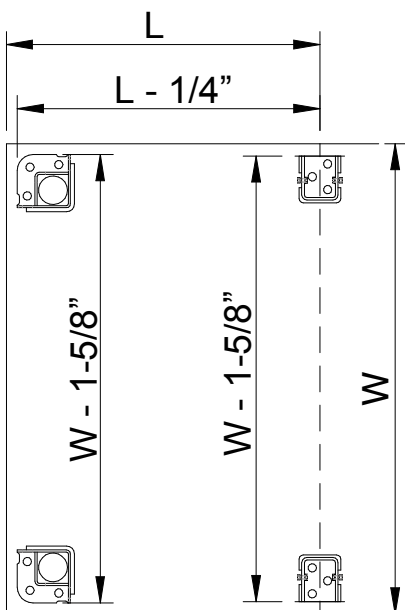


Ground Anchor

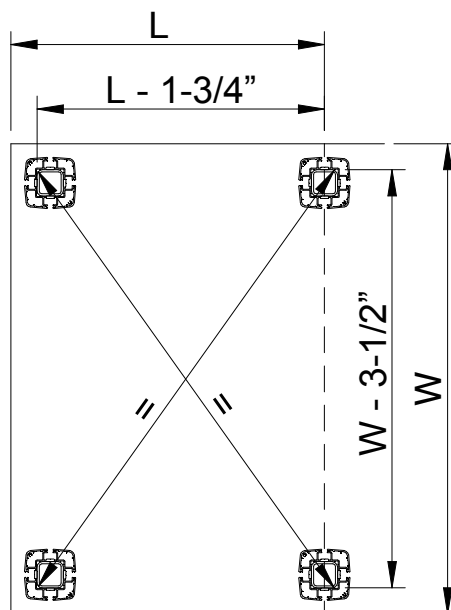


Floorplate 20x20

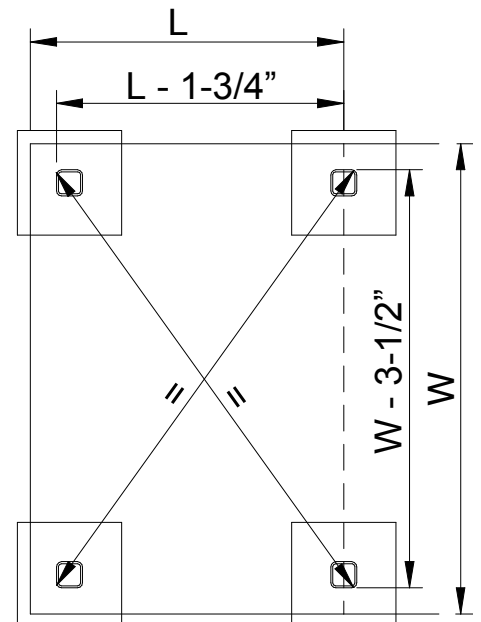
COUPLE



Pole support

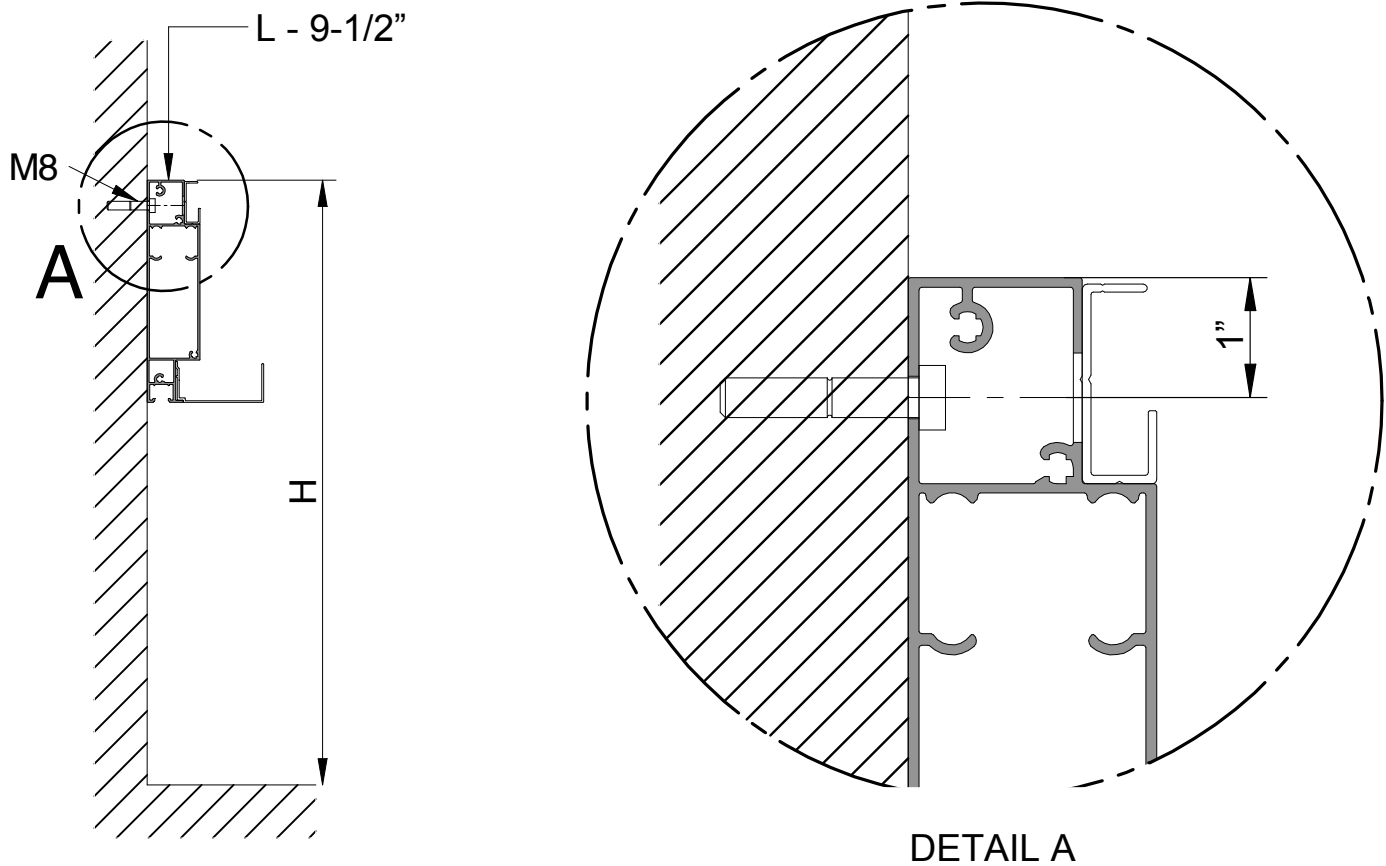


Ground Anchor



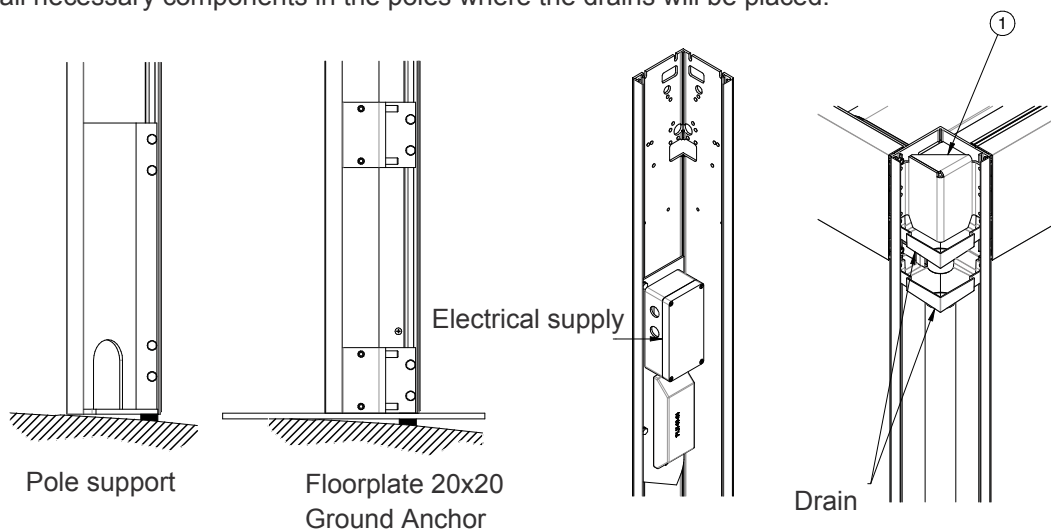
Floorplate 20x20

1.b WALL FIXATION



2. PLACING THE VERTICAL POLES

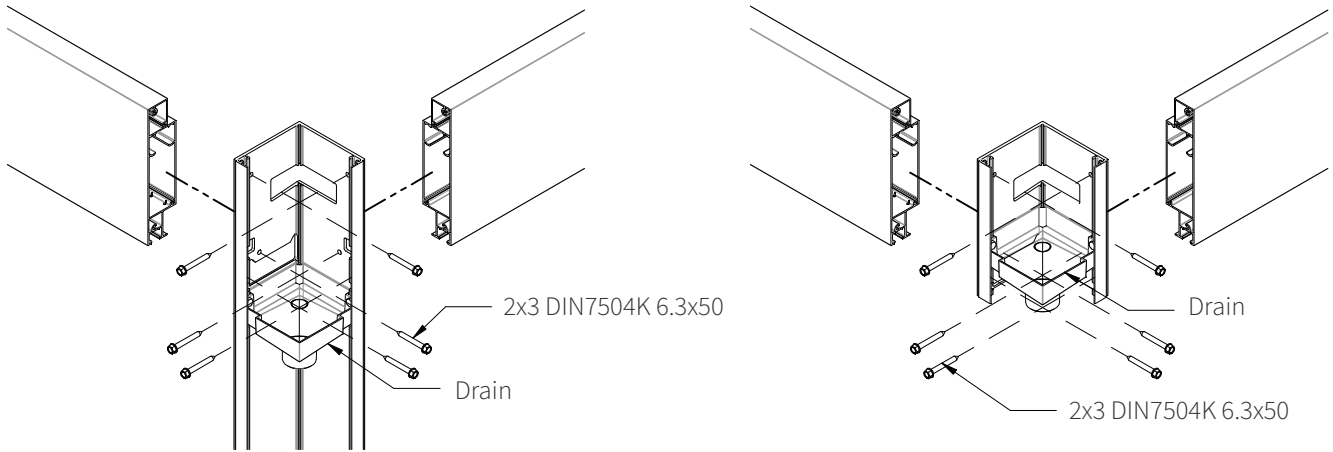
- › Remove the Pole supports from the vertical poles, also remove the premounted screenguides, and the reinforcement (1).
- › Attach the pole supports or floorplates onto the floor.
- › Check the dimensions from the previous page again, before fastening the bolts.
- › Place the vertical pole over the supports.
- › Make sure that the pole is mounted perfectly vertical.
- › If necessary fill up the bumps.
- › Make sure that all poles are in the right place, see P01.
- › Foresee all necessary components in the poles where the drains will be placed.



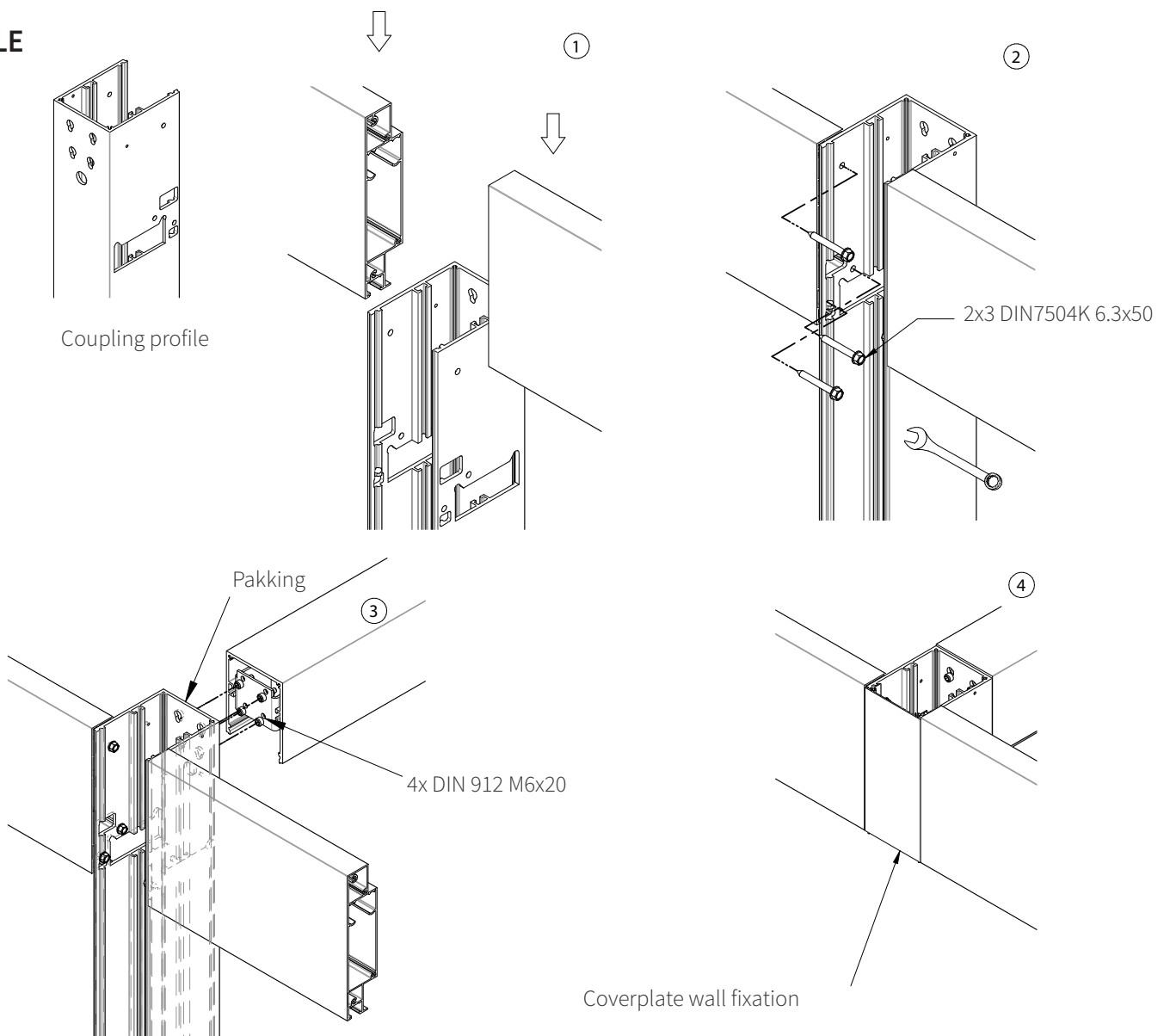
3. MOUNTING THE CROSS MEMBERS

SINGLE

- › In case of wall fixation, first fix the short poles to the cross members.
- › Don't fix the top screws yet.
- › Don't forget to mount the drains!



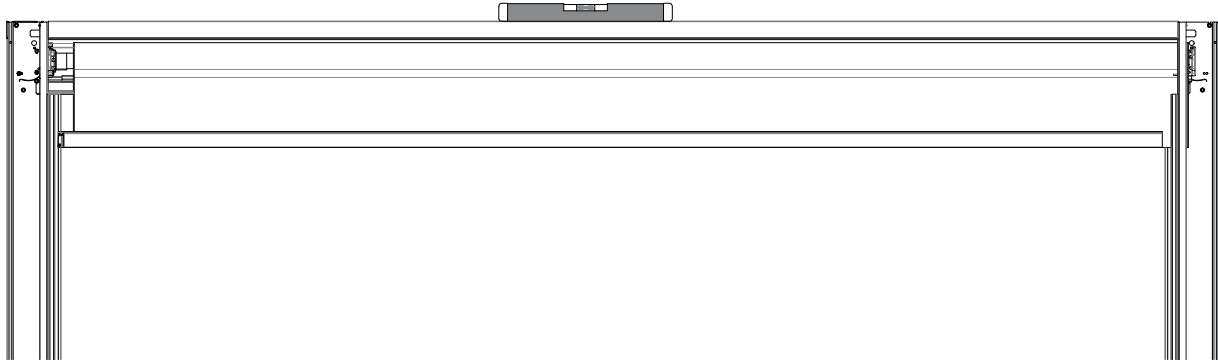
COUPLE



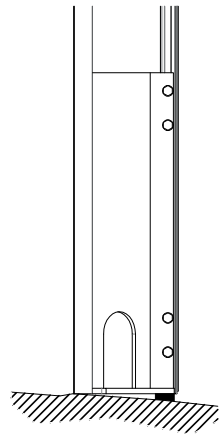
4. ADJUSTING THE CONSTRUCTION

4.a LEVELNESS

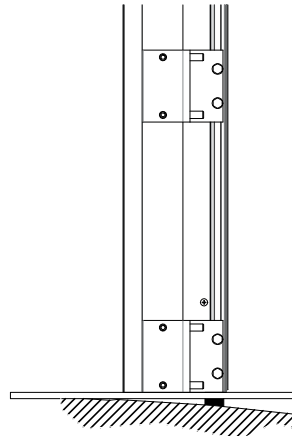
- › Check the top side of the construction with a laser or a level.



- › If necessary, adjust the construction.
- › Move the vertical poles upward until the top side of the construction is completely level.
- › If necessary use some provisional filling.

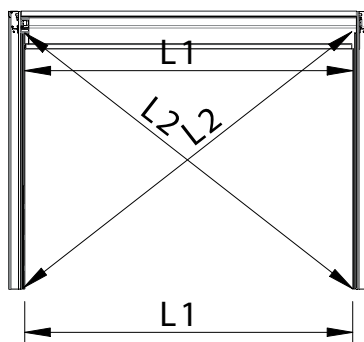


Pole support

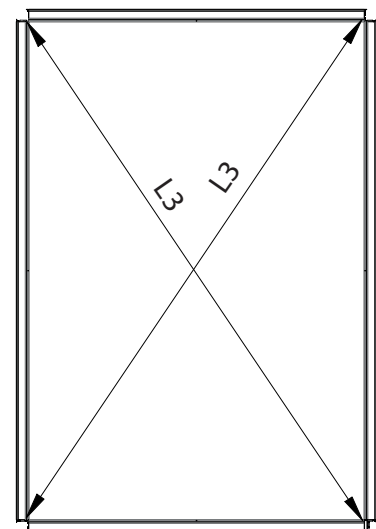
Floorplate 20x20
Ground Anchor

4.b PERPENDICULARITY

- › Check the perpendicularity through the following dimension ($L1 \pm 1/8"$!).
- › Also check the diagonals of the top side.
- › If necessary, the pole supports allow a small adjustment.



Side view



Top view

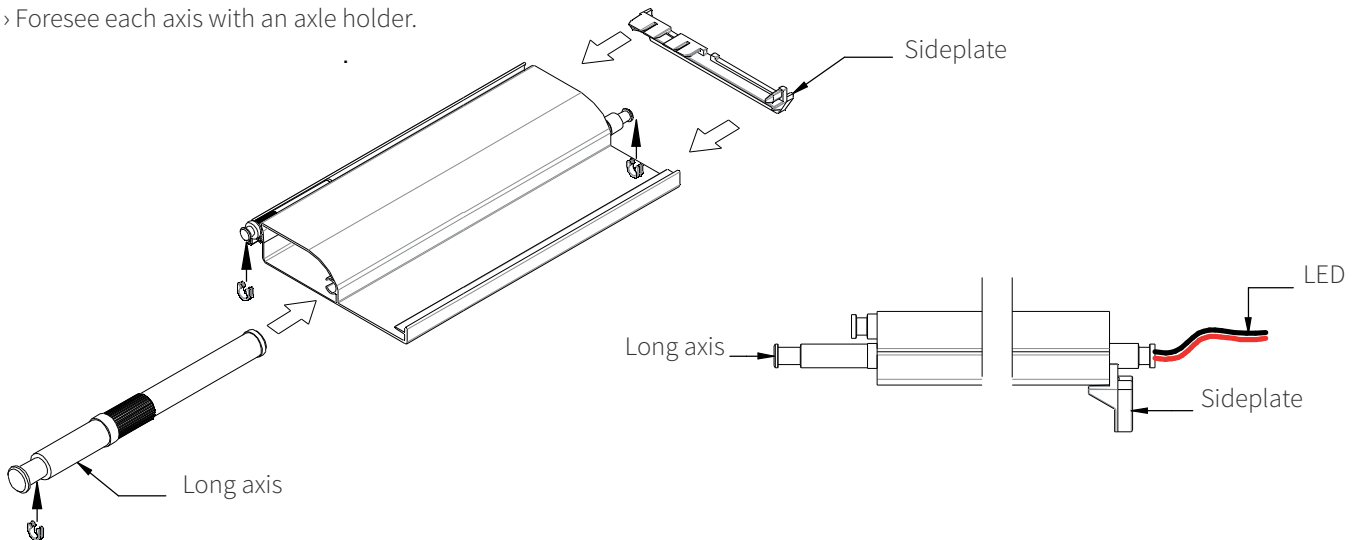
- › Once everything has been adjusted, **tighten all the bolts.**
- › Remove the provisional filling.

5. LOUVRES

5.a PREPARING AND PLACING THE LOUVRES

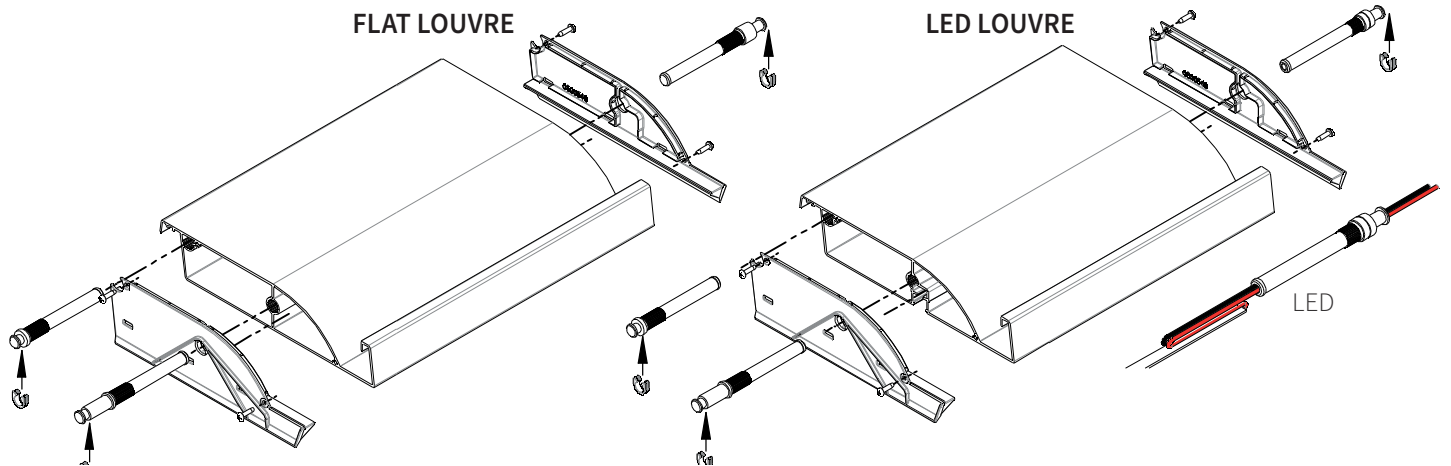
B-150

- › Foresee each louvre with a long axis, than hit it with a hammer until the wider part touches the edge of the louvre.
- › Foresee each louvre with a sideplate.
- › Foresee each axis with an axle holder.



B-150 XL

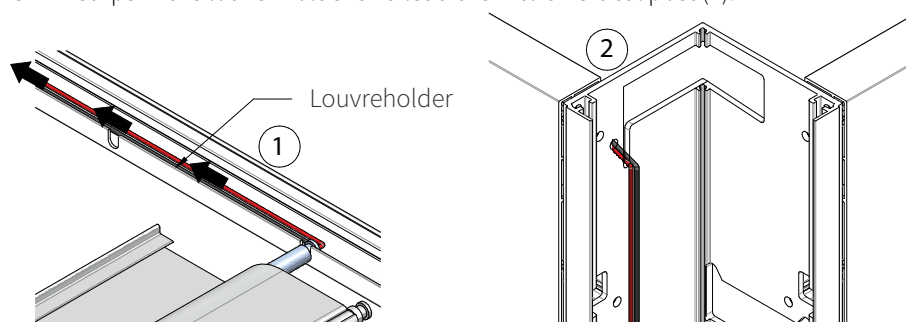
- › FIRST foresee each louvre with a sideplate at both ends.
- › Foresee each louvre with the necessary axis, than hit it with a hammer until the wider part touches the edge of the louvre.
- › Foresee each axis with an axle holder.



5.b LOUVRE WITH LED-STRIP

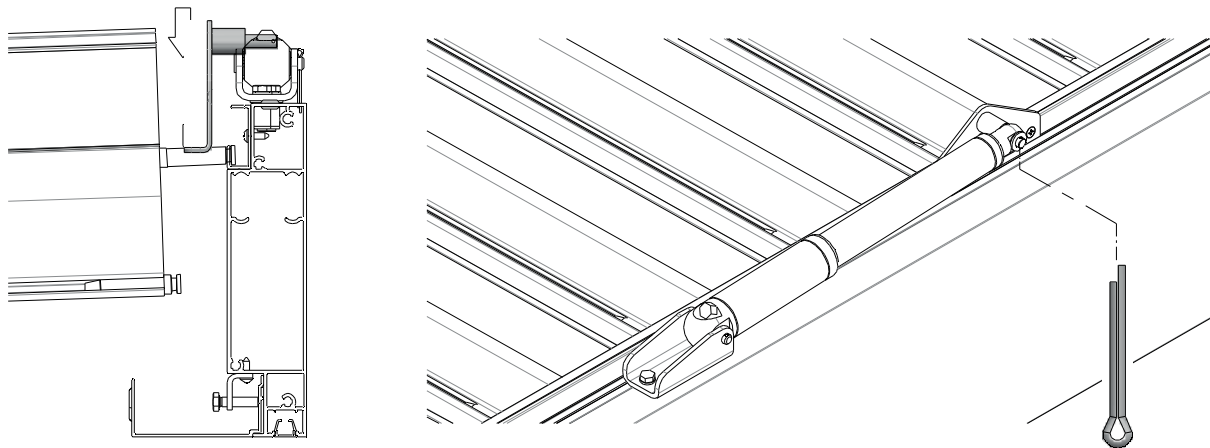
SINGLE

- › Place the louvre as described above.
- › Put the cable in the louvreholder (1).
- › Lay the cables of the LED strips in the louver holder and lead them to a vertical post (2).

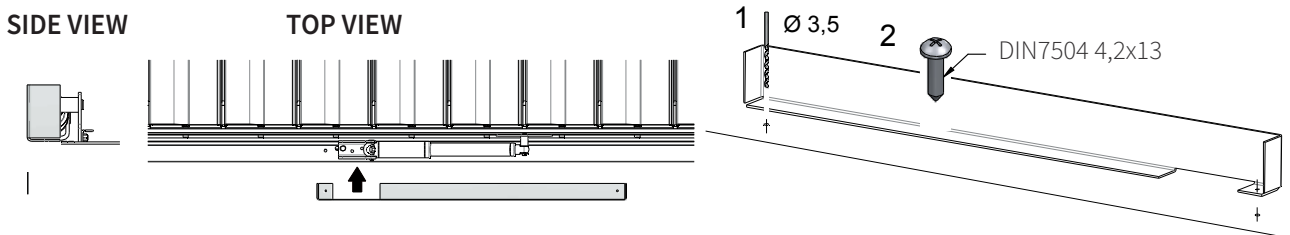


5.c CONNECTING LOUVREMOTOR

› Place the last louvreholder on top of the long axles, and move the motor until it is possible to make a connection.

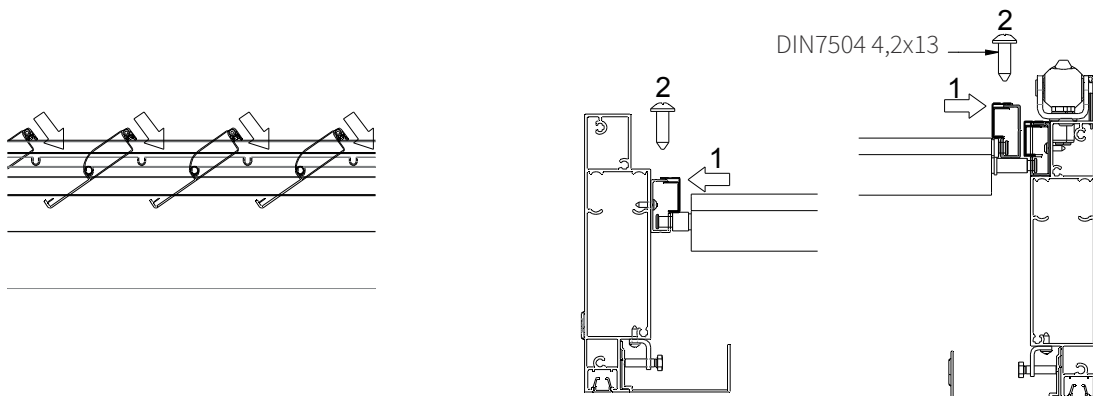


› Position the motor cover plate so that it fits the U bracket of the motor.
› Drill two holes in the mainhousing through the holes of the cover plate, fix with screws DIN7504 4,2x13.



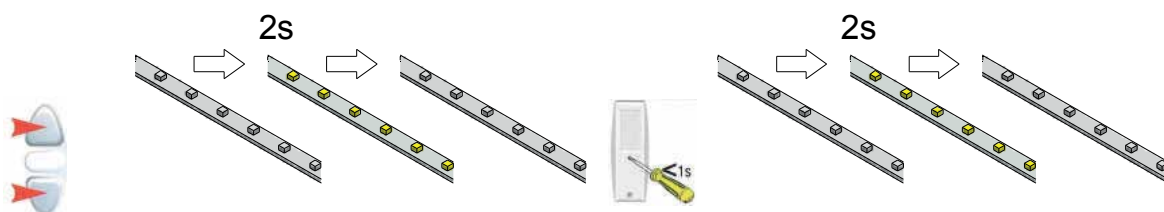
5.d CONNECTING THE LOUVRES

› Turn the louvres one by one with the small axle upward, and hook it in the third louvreholder.
› When all louvres are mounted in all three louvreholders, put the covers on the louvreholders and secure them with three screws.



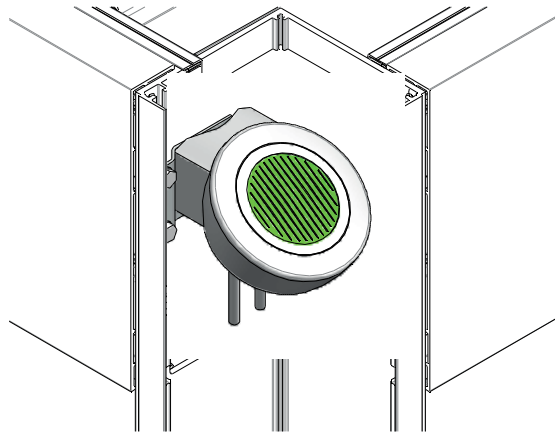
5.e PROGRAMMING THE LED-STRIPS (not dimmable)

› Wire diagram LED-strips: See at the back of the instruction
› Press the up and down buttons of the remote control simultaneously: The LED-strips come on and go out.
› Press the PROG button of the remote control: The LED-strips come on and go out again.

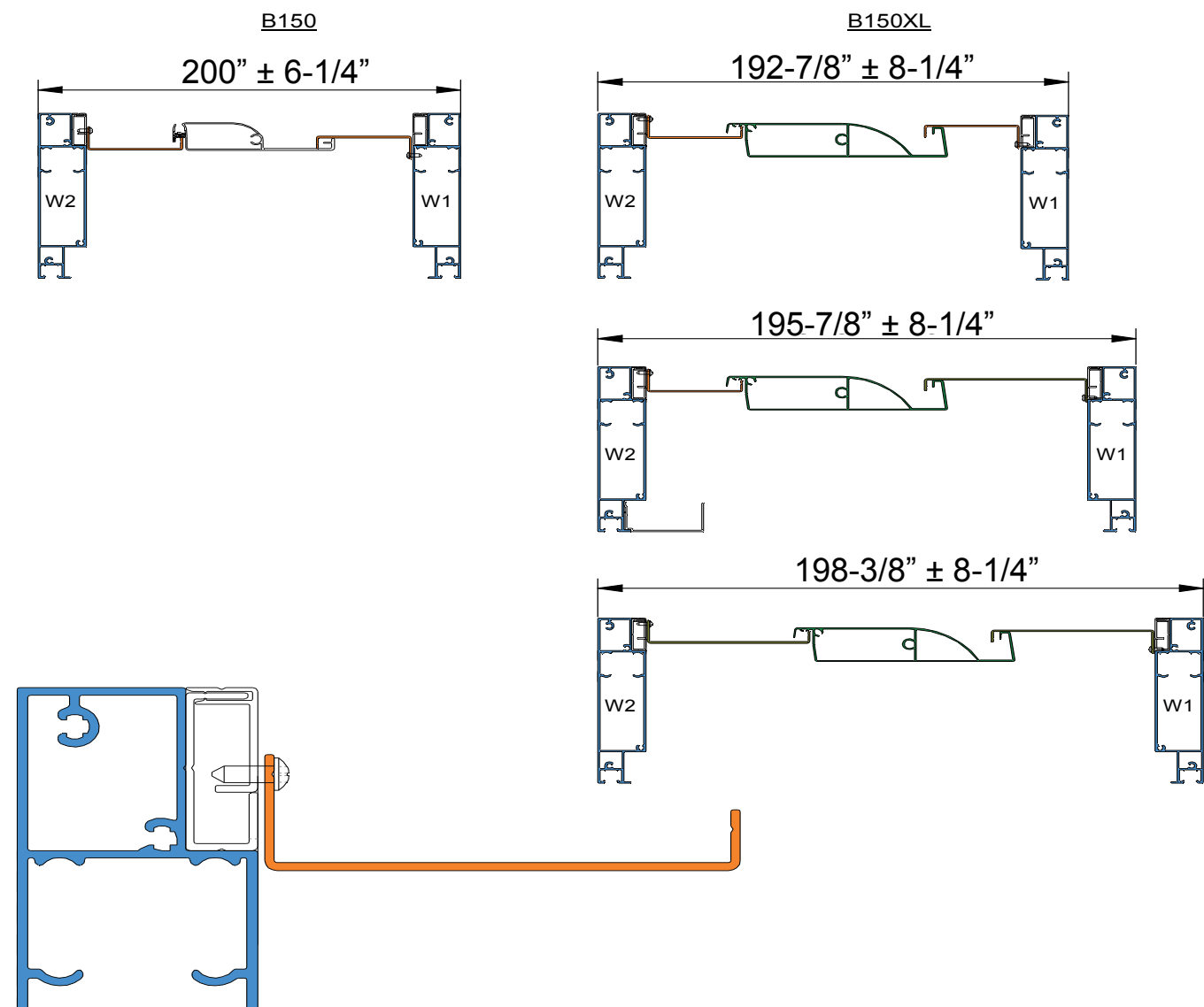


6. FIRST LOUVRES

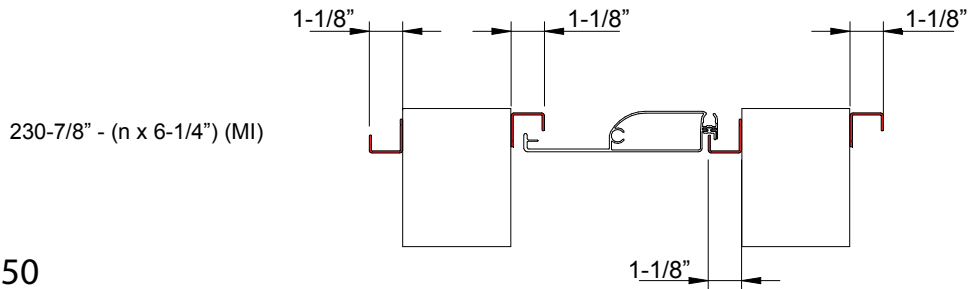
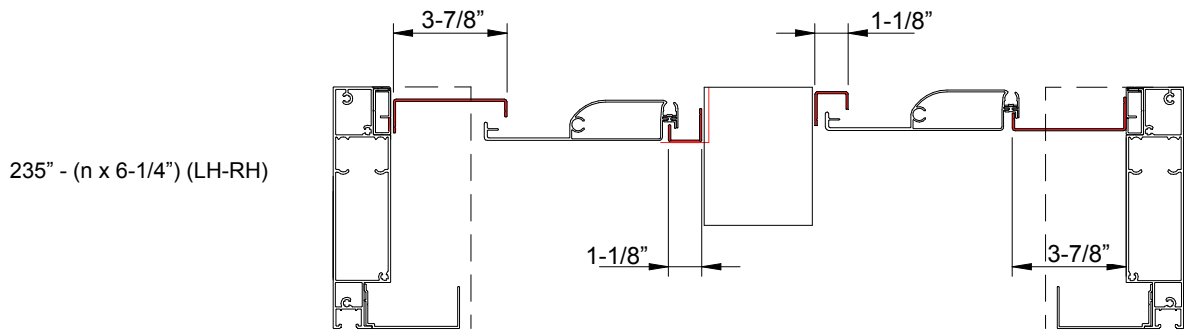
- › If a rain sensor was ordered, than first slide it into the vertical pole.
- › Place the fixed louvres against the mainhousing W1 (opening at the bottom) and W2 (opening at the top).
- › Press them against the roof and screw them.
- › The fixed louvres should follow the slope of the roof.



SINGLE

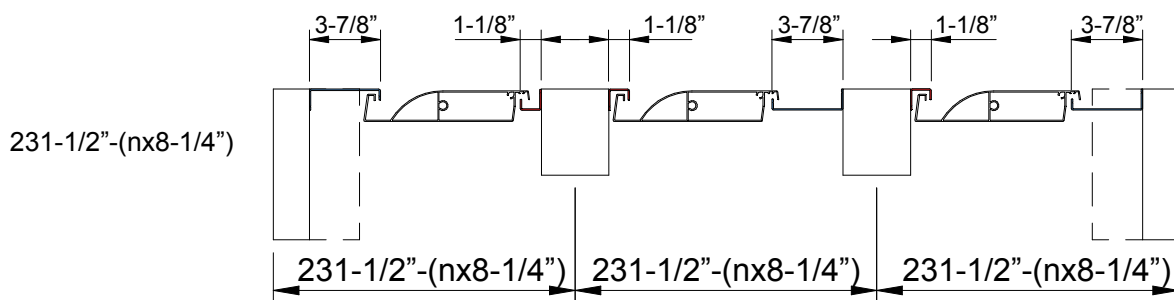
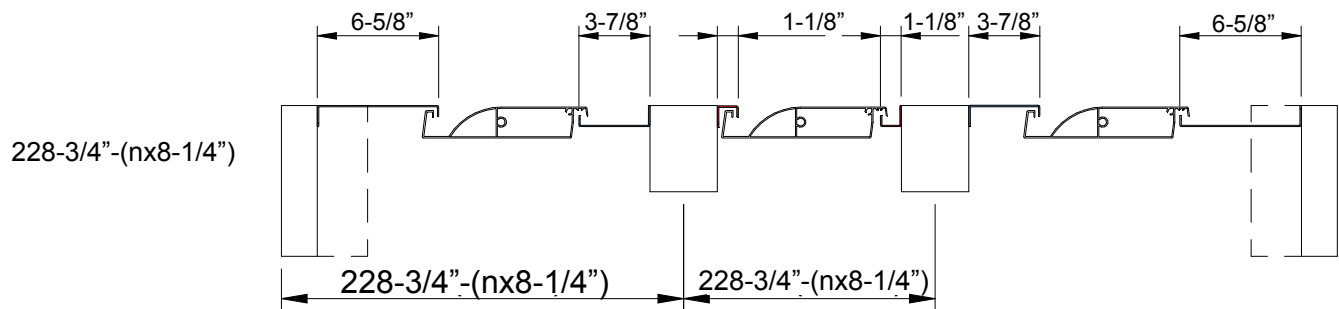
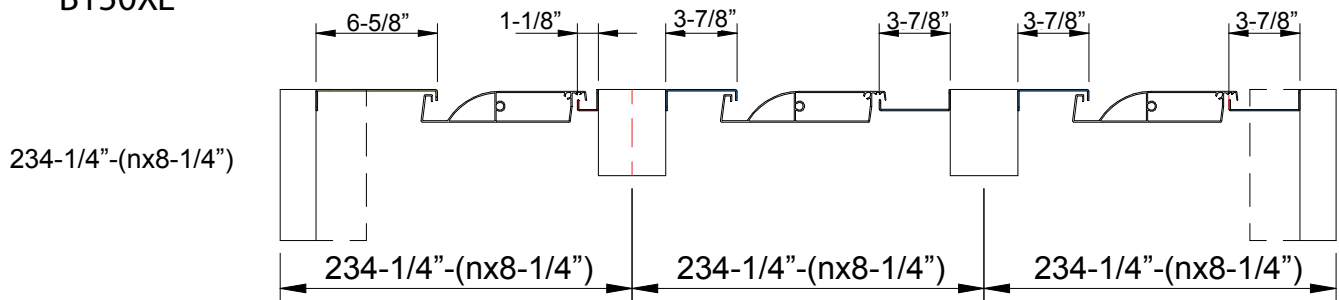


COUPLE



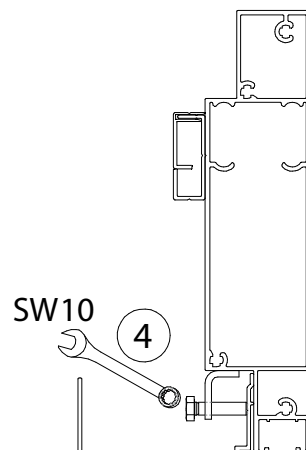
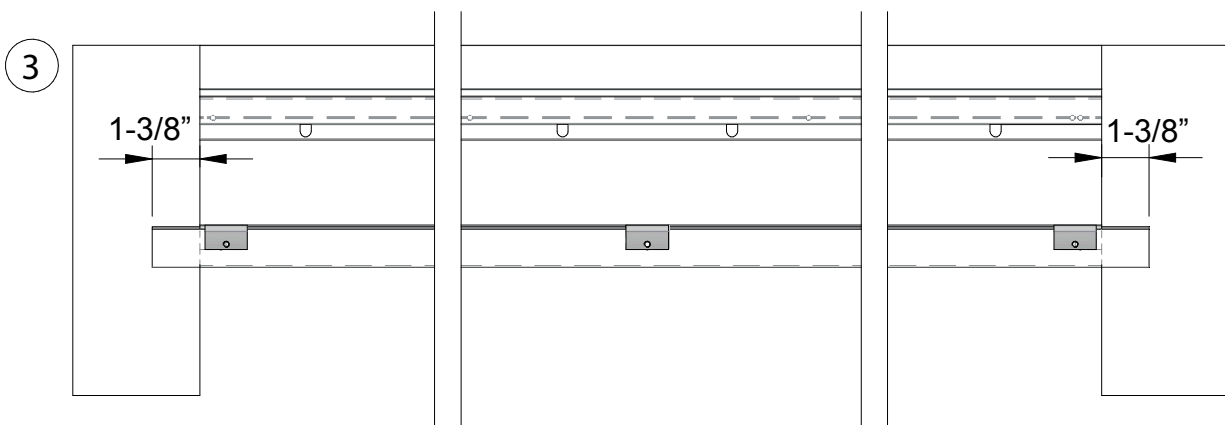
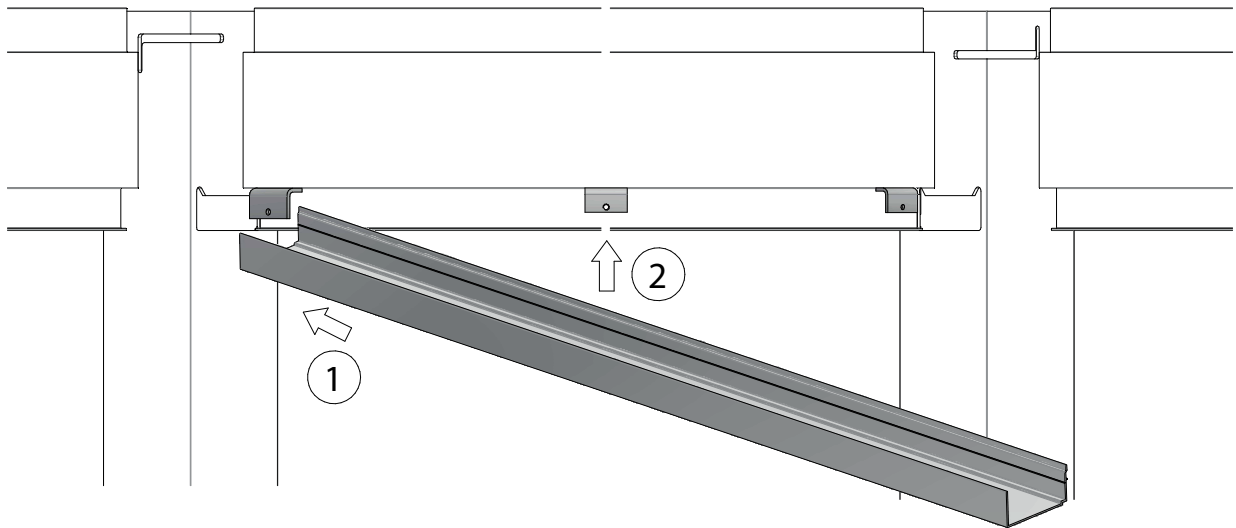
B150

B150XL



7. RAIN GUTTERS

- › Put the rain gutter in the opening of one of the vertical poles and push it through as far as possible. (1)
 - › Attach the rain gutter under the brackets. (2)
 - › Slide the rain gutter into the other vertical pole, the gutter should enter the post 4, 1/4" left and right. (3)
 - › Fix the rain gutter with the 3 bolts. Left, right and in the middle. (4)
- › If water flow via the W side is chosen, then place the gutter profile on the W side in the same way between the poles.

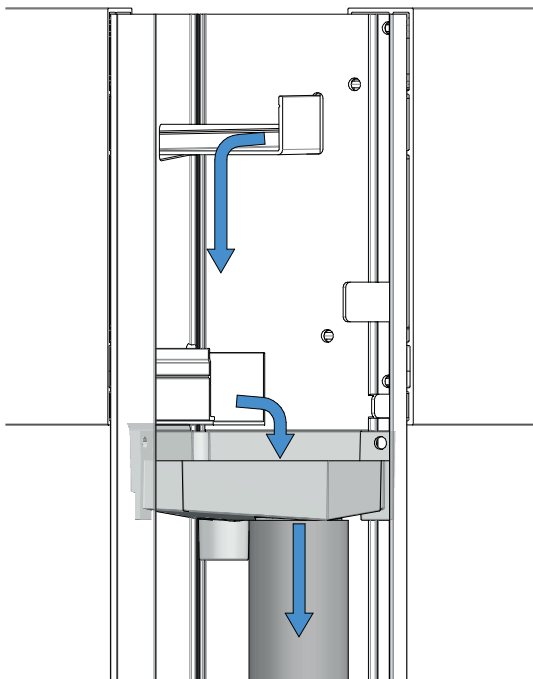
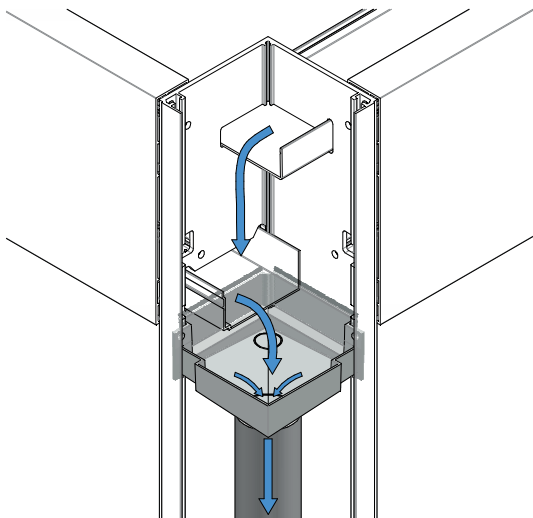
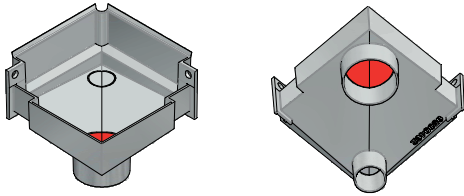


8. DRAIN

- › Foresee minimum each L-side with one drain.

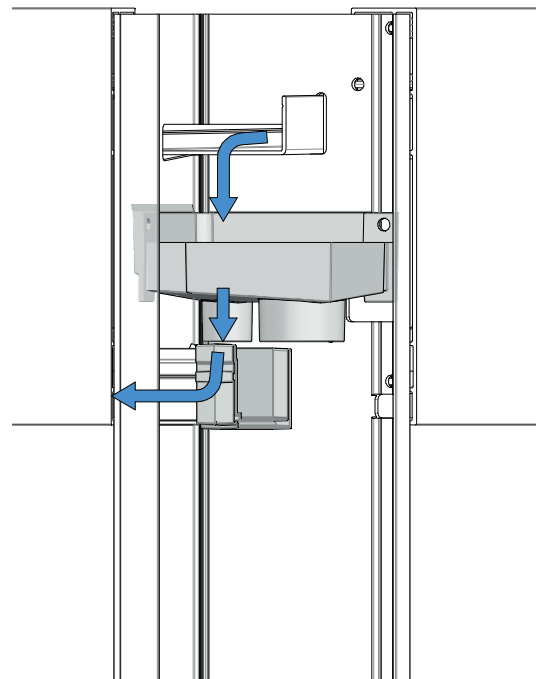
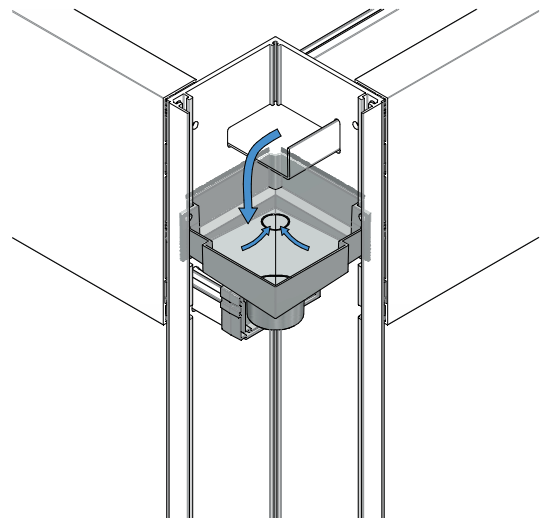
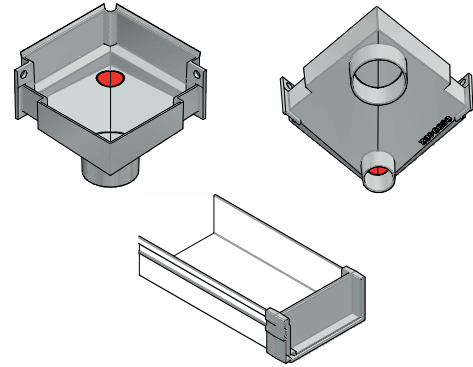
With drain

- › Open the hole of 2"
- › Press the corner piece against the bottom of the rain gutter
- › Tighten all bolts



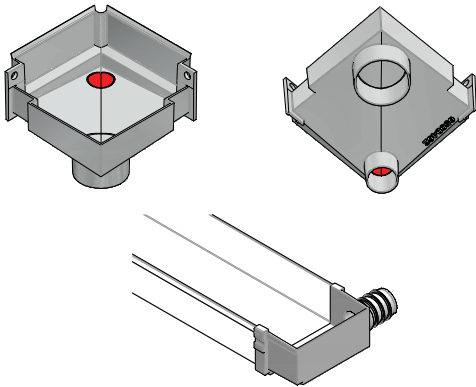
Without drain / wall fixation

- › Open the hole of 1-1/4"
- › Place an end piece at the end of the rain gutter (use silicone)
- › Tighten all bolts

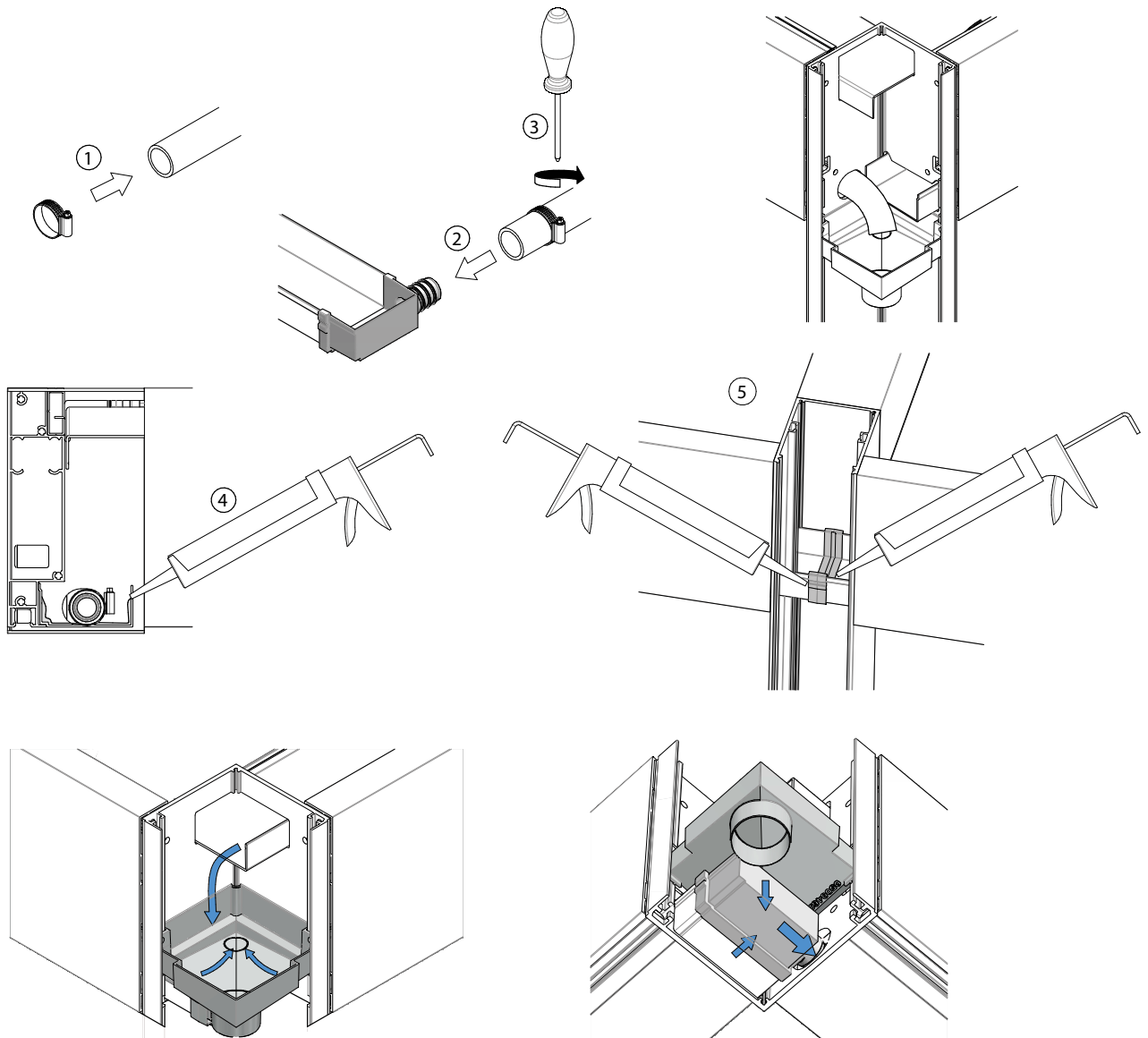


Pole without drainage, with water flow

- › Open the 32mm hole
- › Place a stopper with water outlet on the end of the gutter (use silicone)
- › Firmly tighten all bolts



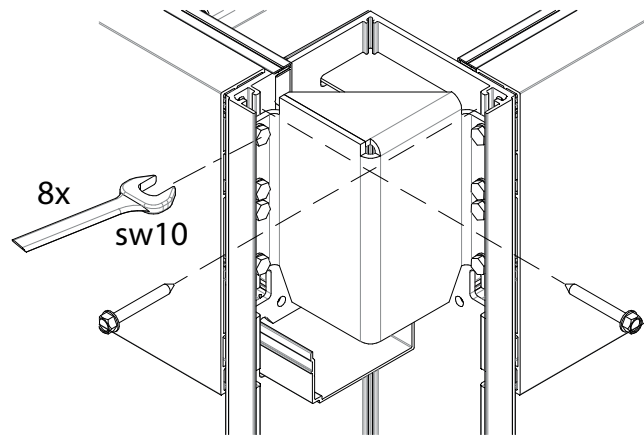
- › Slide the tube clamp over the PVC pipe (1) and slide the PVC pipe over the stopper with water outlet(2).
- › Firmly tighten the tube clamp around the stopper! (3)
- › Lay the pipe in the gutter profile on the W side.
- › Lay the other end in the corner piece of the other pole or also slide it over a stopper with water outlet.
- › Apply silicone to both ends of the gutter profile on the W side between the gutter and pole. (4)
- › Firmly tighten all bolts.



9. FINISHING

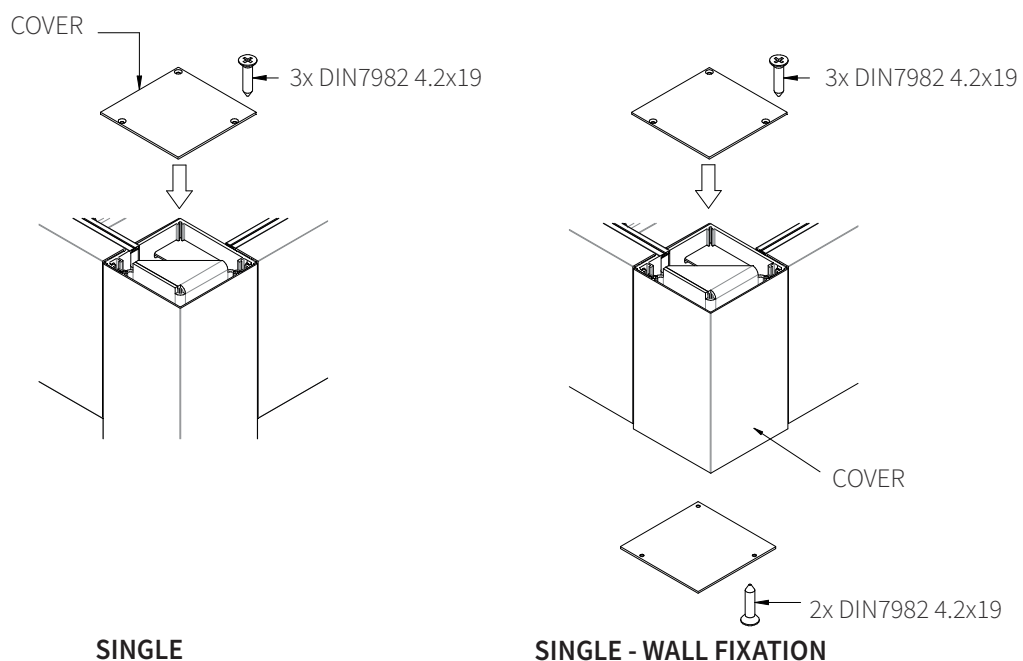
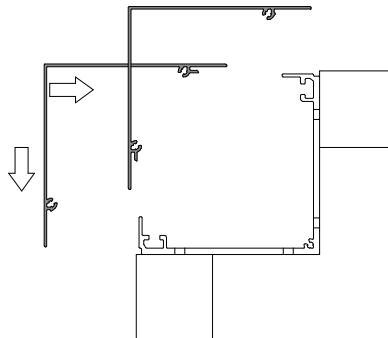
9.a REINFORCEMENT

- › Place a reinforcement in every vertical pole.
- › When a rainsensor will be mounted in the vertical pole, slide the reinforcement 140mm down.
- › Foresee the top screw in the horizontal cross members.

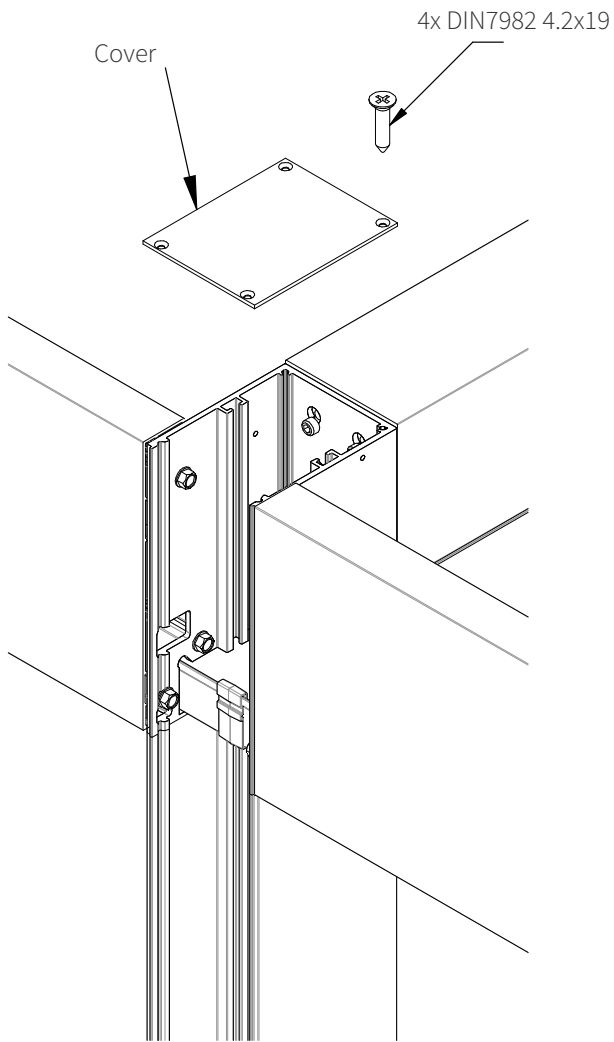


9.b COVER VERTICAL POLES

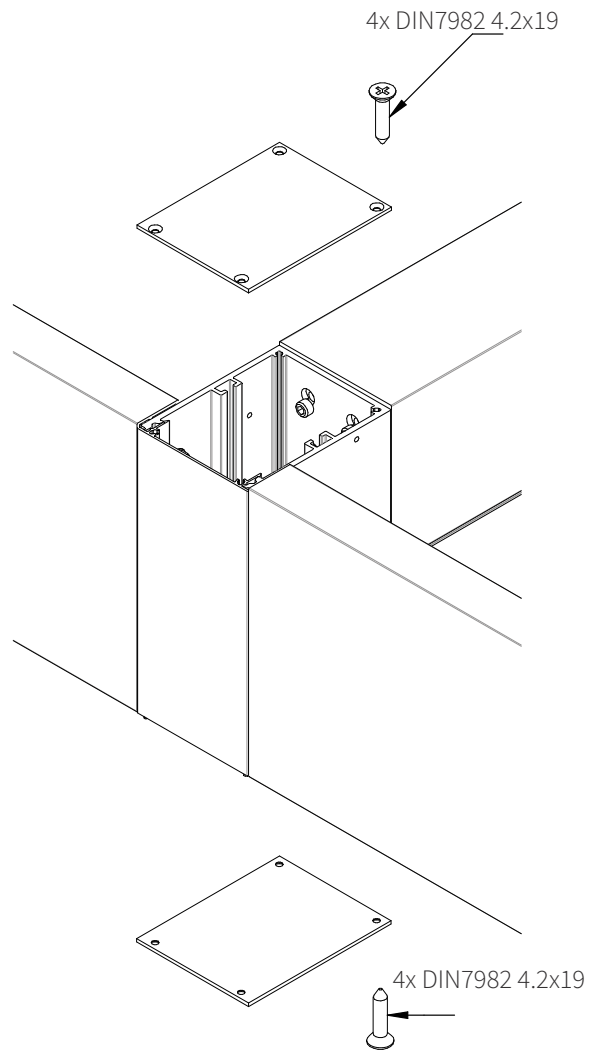
- › Place a cover on every vertical pole, and secure the cover by mounting a top cover on top of the poles.
- › The cover can be mounted in two directions.
- › Do not place a top cover when a rain sensor has been mounted.



COUPLE



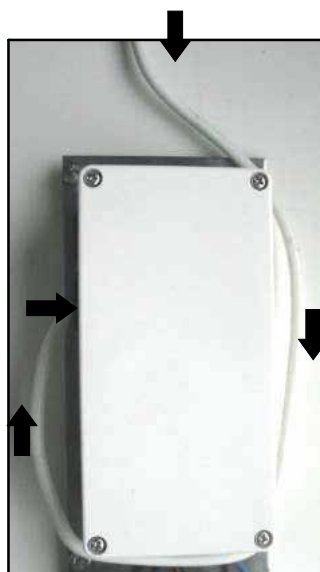
COUPLE



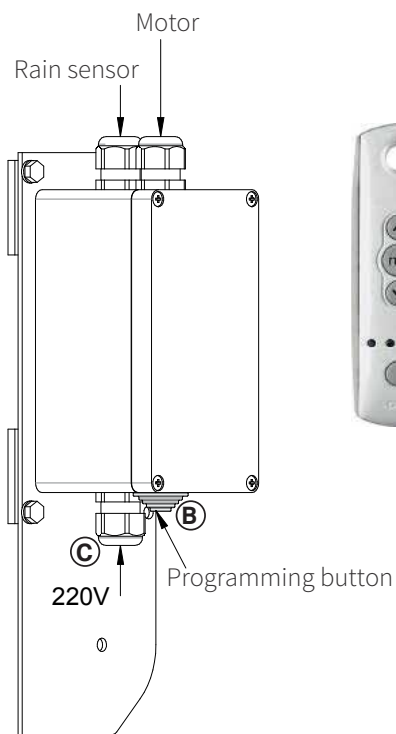
COUPLE - WALL FIXATION

10. WIRE DIAGRAM

IMPORTANT: pass the cables at the side of the box, as shown below.
do not drill any hole at the top of the box !



10.a LOUVREMOTOR



- Ⓐ Red LED
- Ⓑ Programming button
- Ⓒ Mains connection 220V
- Ⓓ Motor cable

Wiring: Connect the mains (220V) to cable Ⓒ
Connect the B150 motor to cable Ⓓ

Programming:

- ⇒ Beep + green LED blinks
- Press the programming button Ⓑ
- ⇒ Red LED Ⓐ lights up.

- Briefly press the Programming button 'prog' Ⓗ on Telis.
- ⇒ Red LED Ⓐ blinks
- Do NOT PUSH ANY button
- ⇒ Red LED Ⓐ goes out after 15 sec

Usage: Push the up button Ⓔ

- ⇒ Motor of B150 opens.
- Push the down button ⓸
- ⇒ Motor of B150 closes.

Activate / deactivate the rain sensor

- Push 'my' button Ⓣ for 10 seconds.
- ⇒ 3 long beeps = sensor is active
- ⇒ 3 short beeps = sensor is not active.

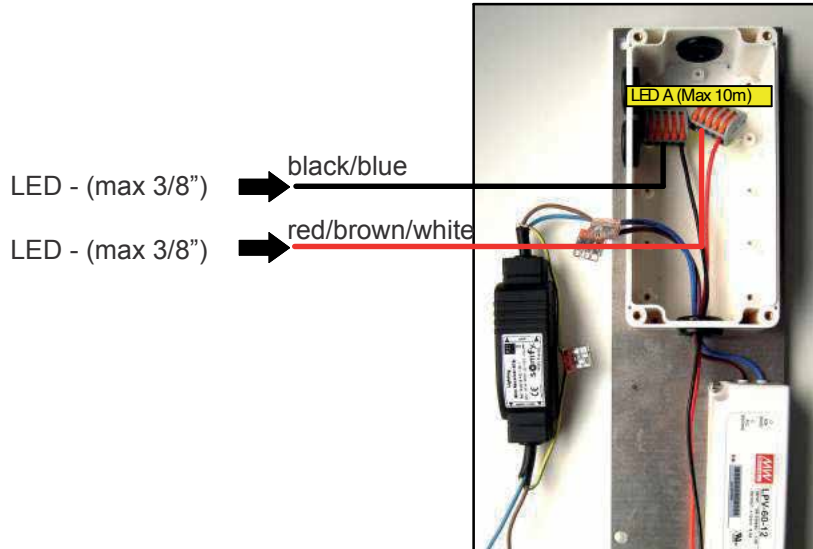
Reset: Keep Programming button Ⓑ pushed in.

- ⇒ Red LED Ⓐ blinks.
- ⇒ Red LED Ⓐ goes out.
- Reset = OK



10.b LED LIGHTS

› Connect the LED lights as indicated below.



10.c RAIN SENSOR

› Connect the sensor as indicated below.

