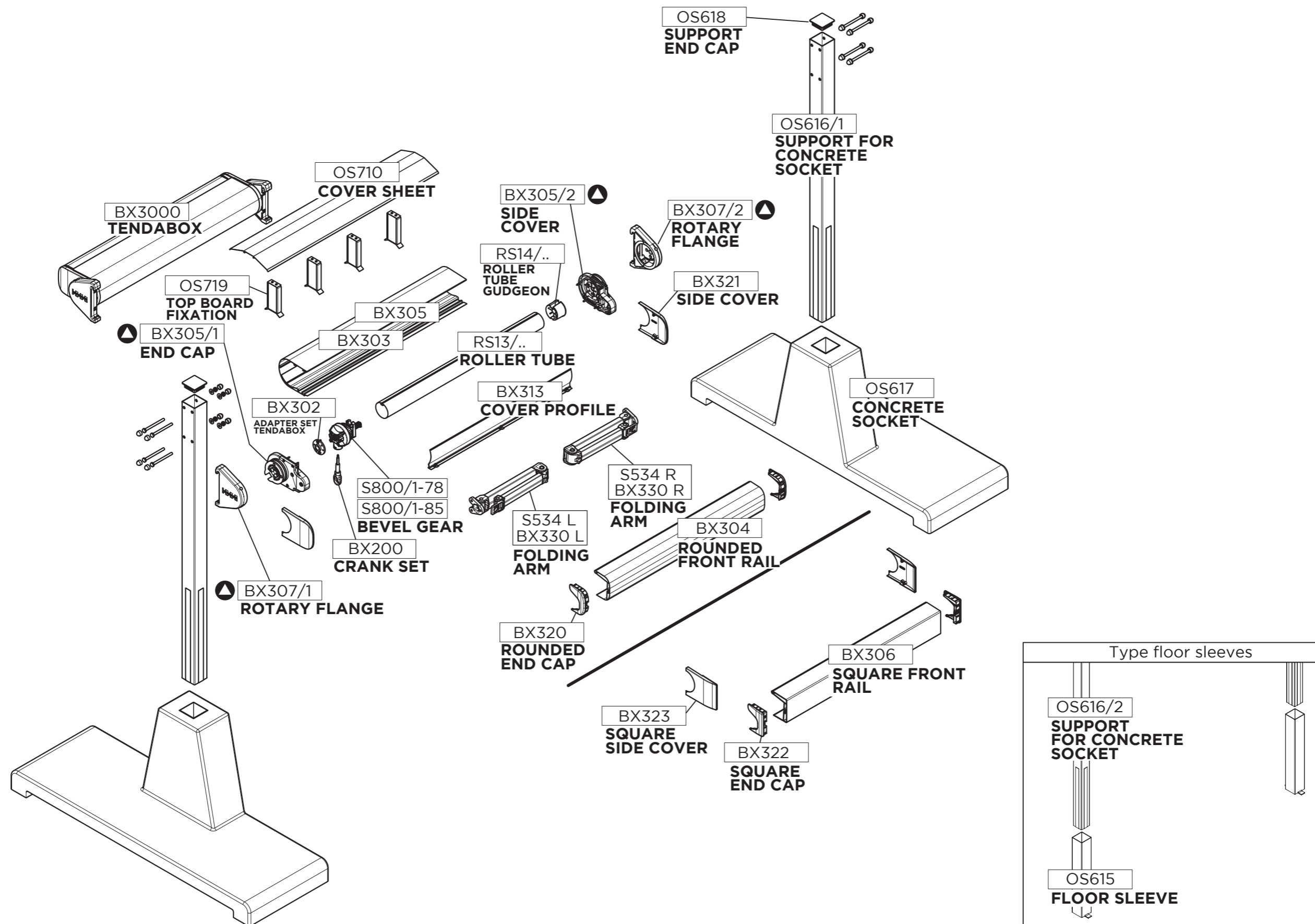
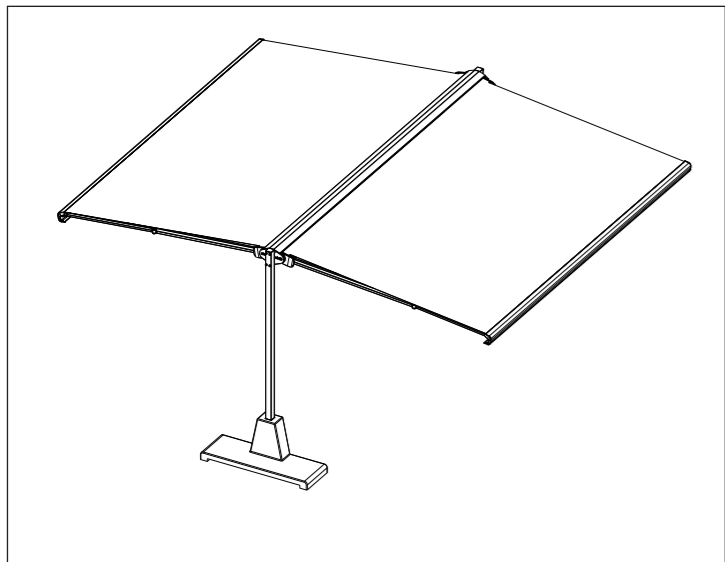


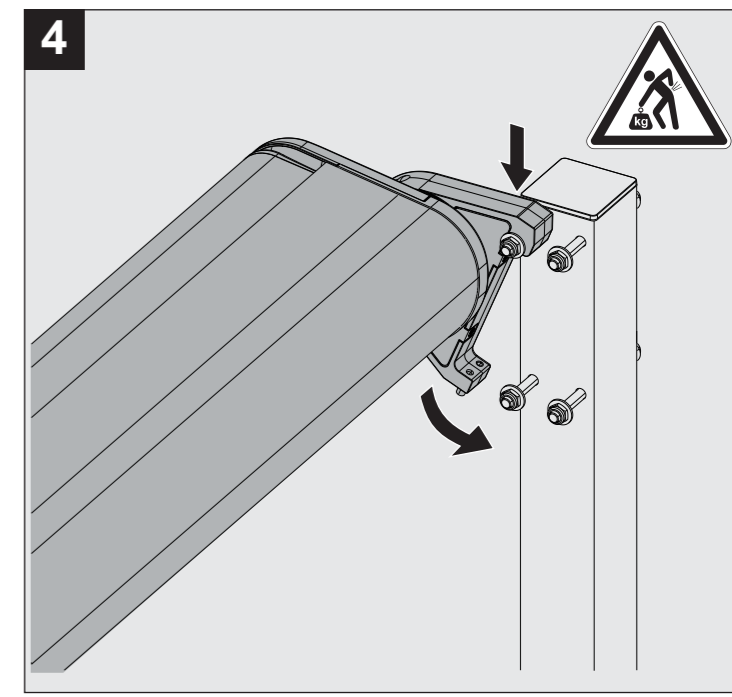
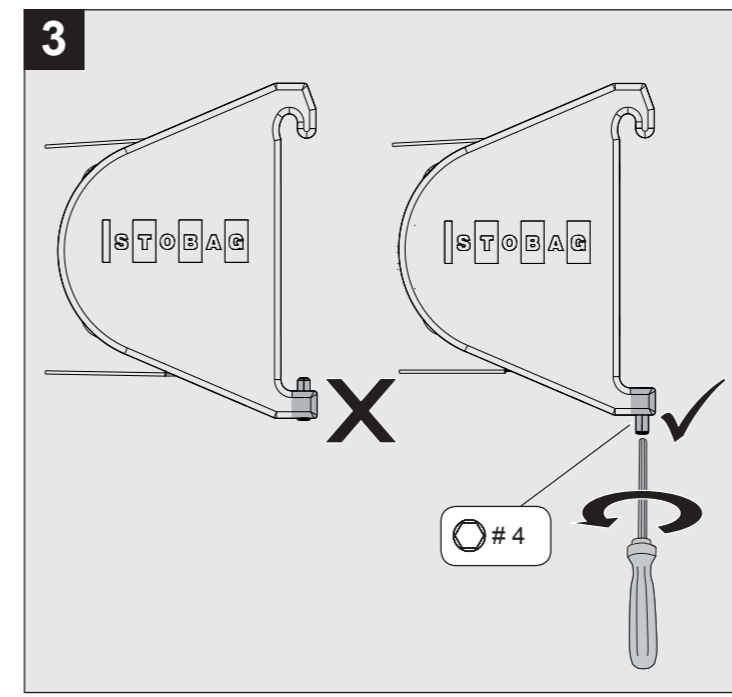
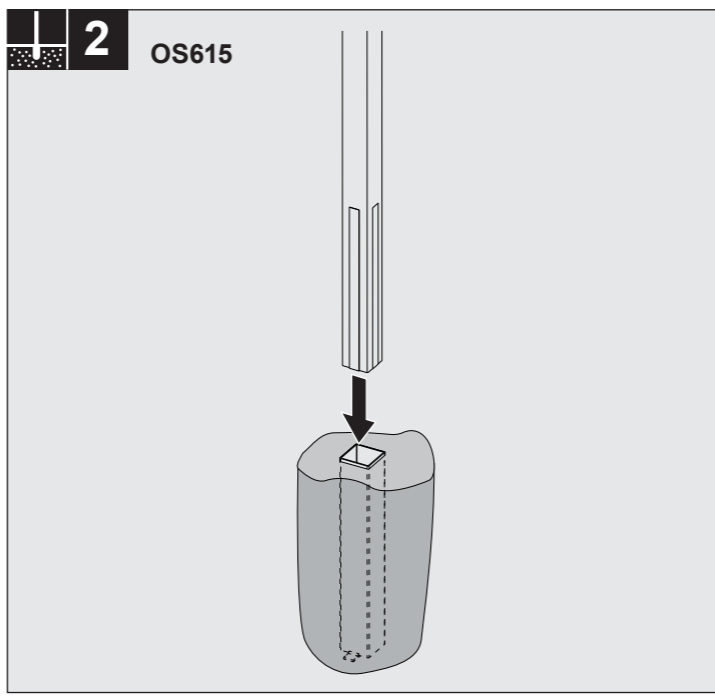
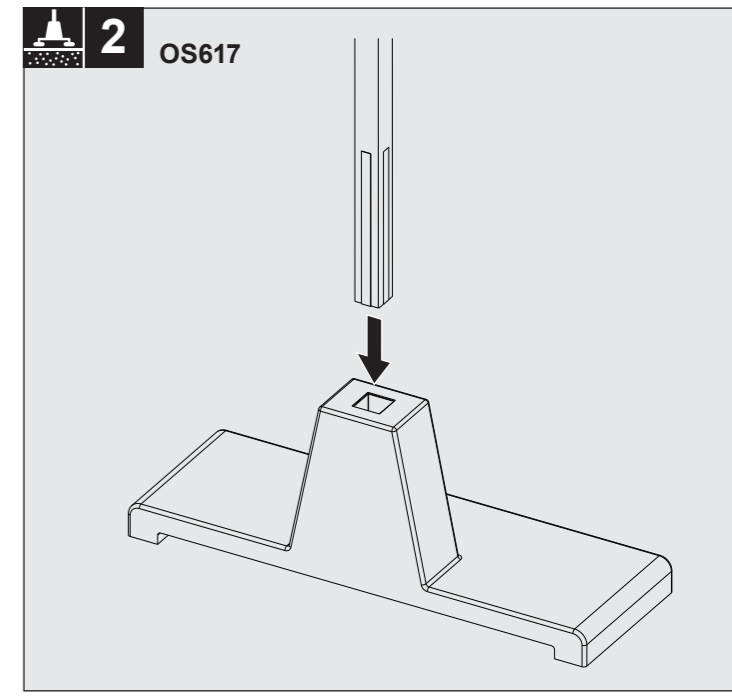
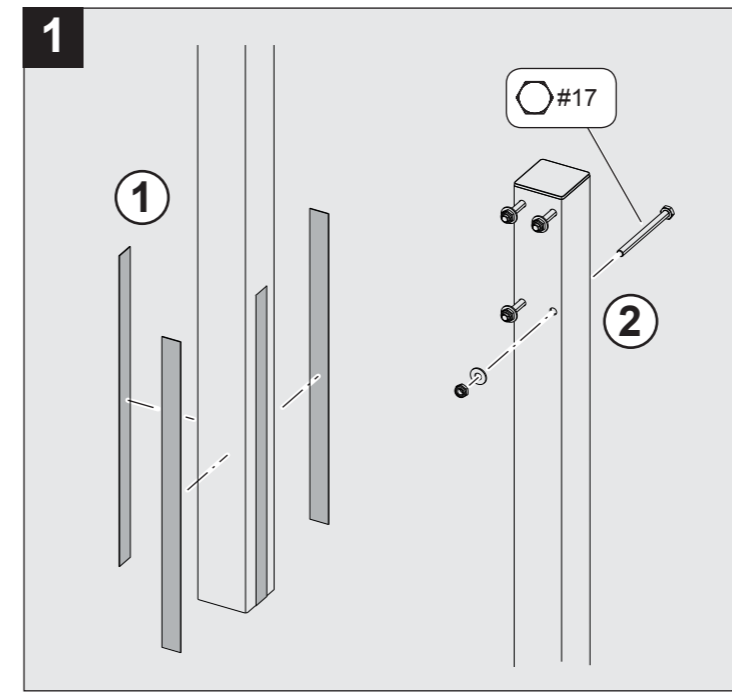
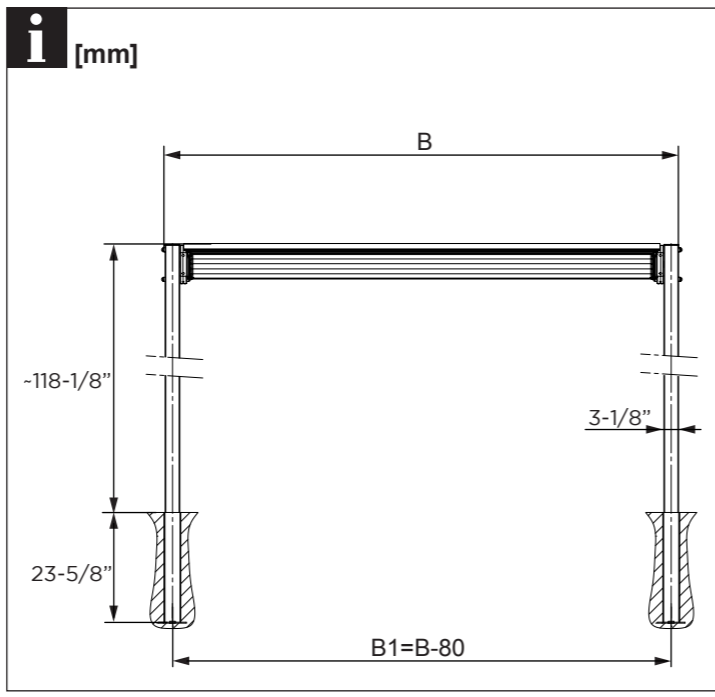
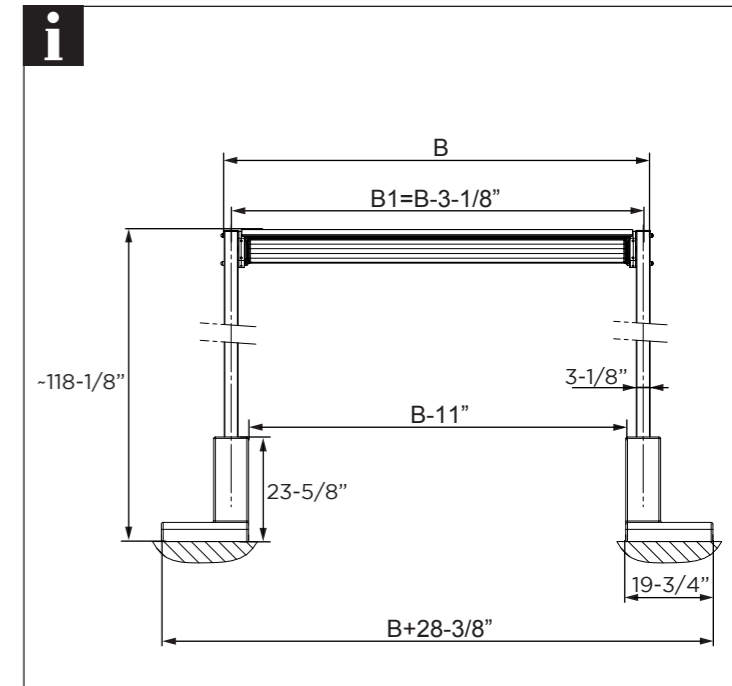
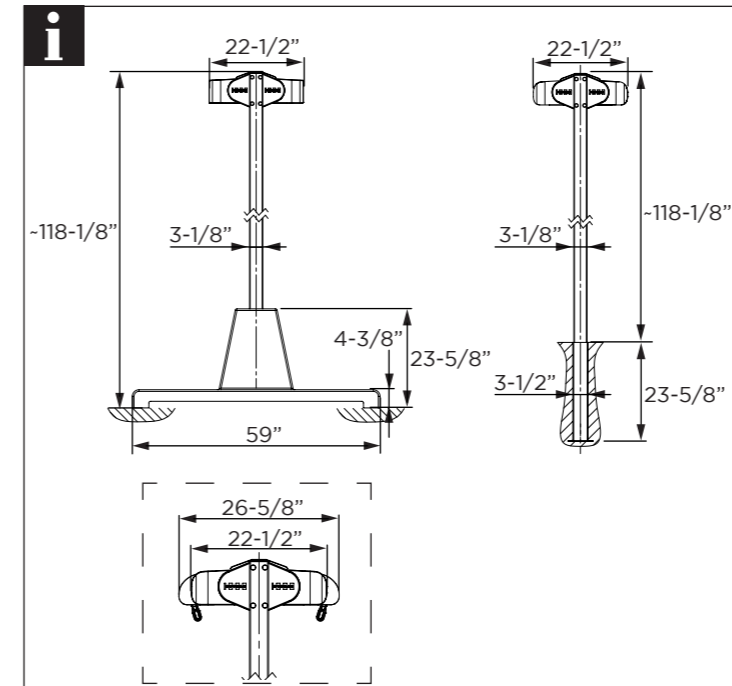
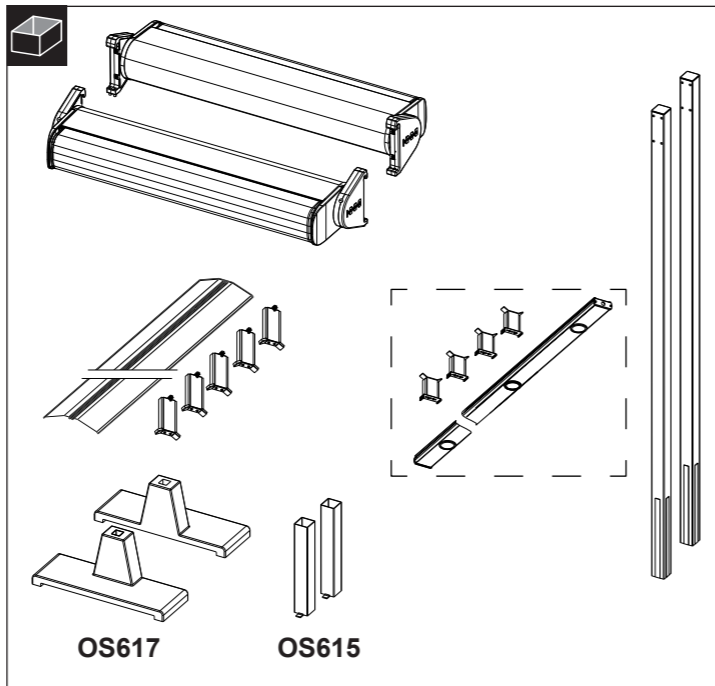
STOBAG BOXMOBILE

CRANK/MOTOR OPERATED MOBILE AWNING SYSTEM





OS7000
 Art. 252236 V00 2013-04-19
 © STOBAG AG www.stobag.com



EN 13561:2004+A1:2008

INSTALLATION IS ONLY TO BE CARRIED OUT BY TRAINED SPECIALISTS. IT IS EXTREMELY IMPORTANT THAT THE SAFETY INSTRUCTIONS IN THE OPERATING MANUAL BE FOLLOWED.

