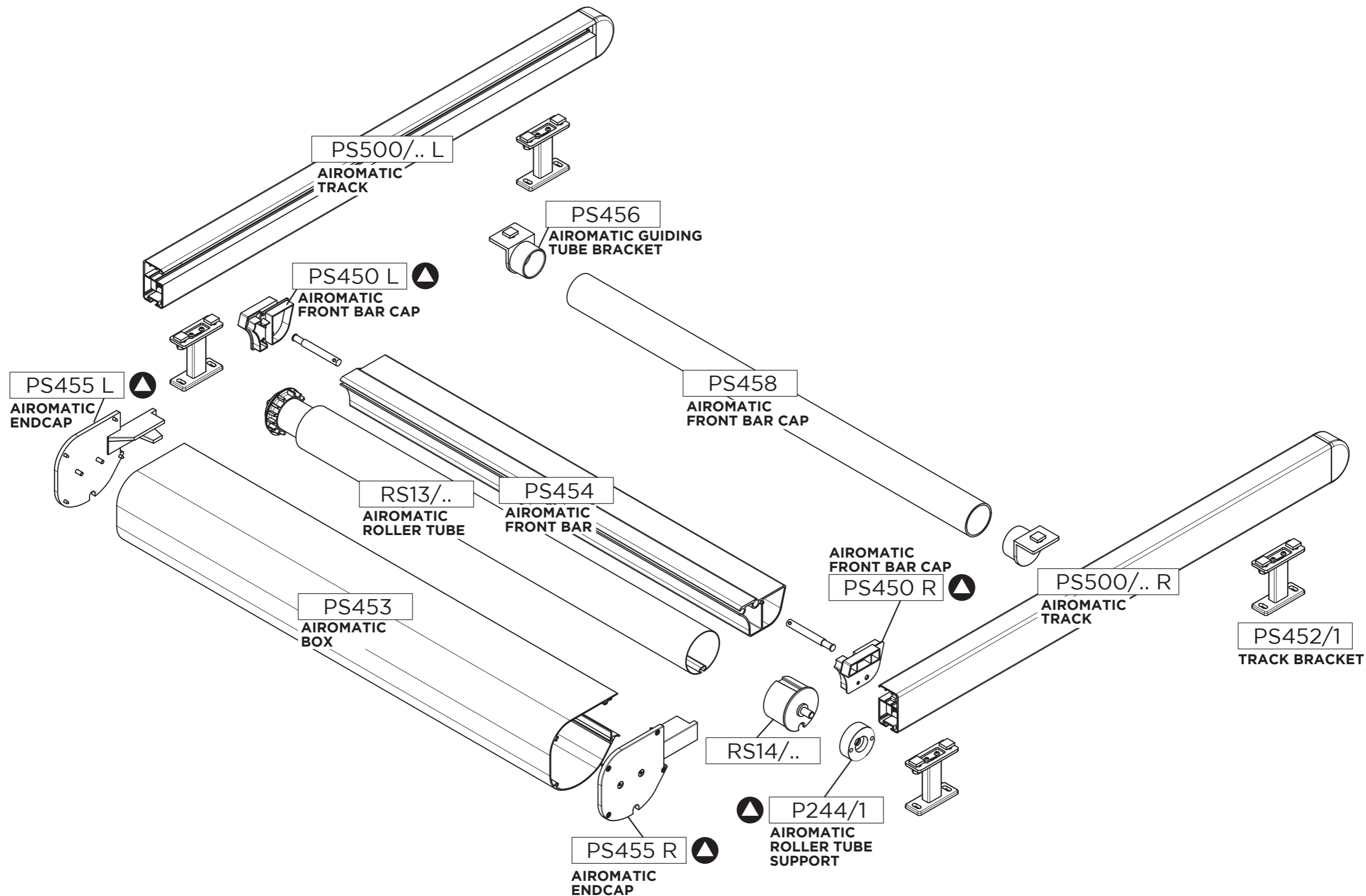
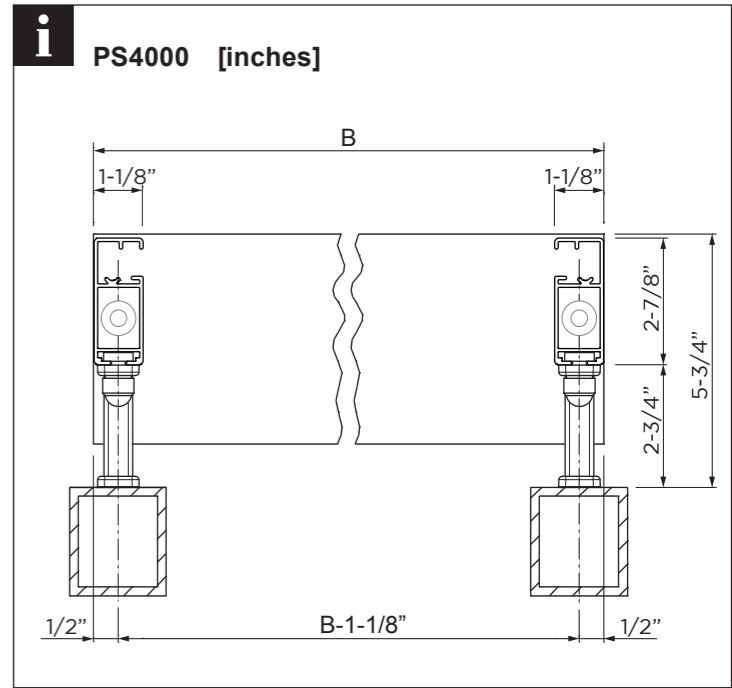
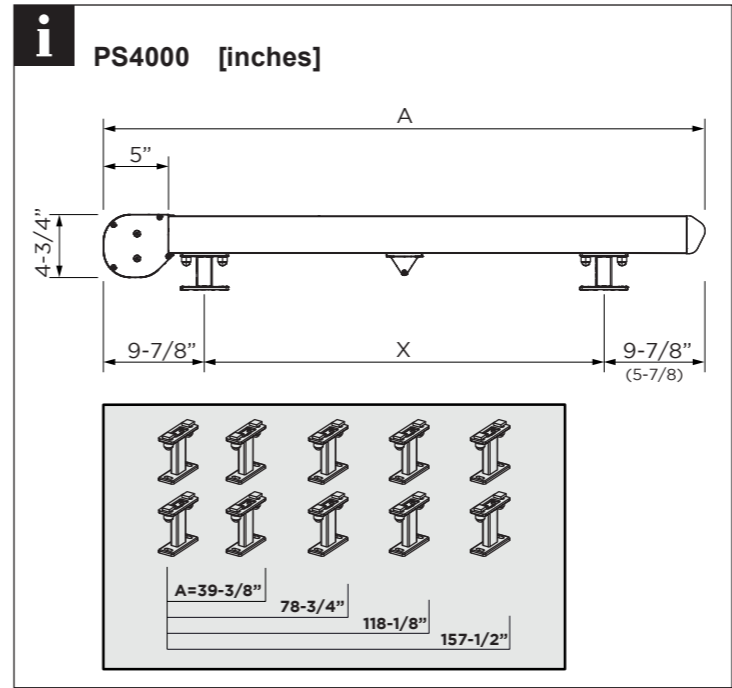
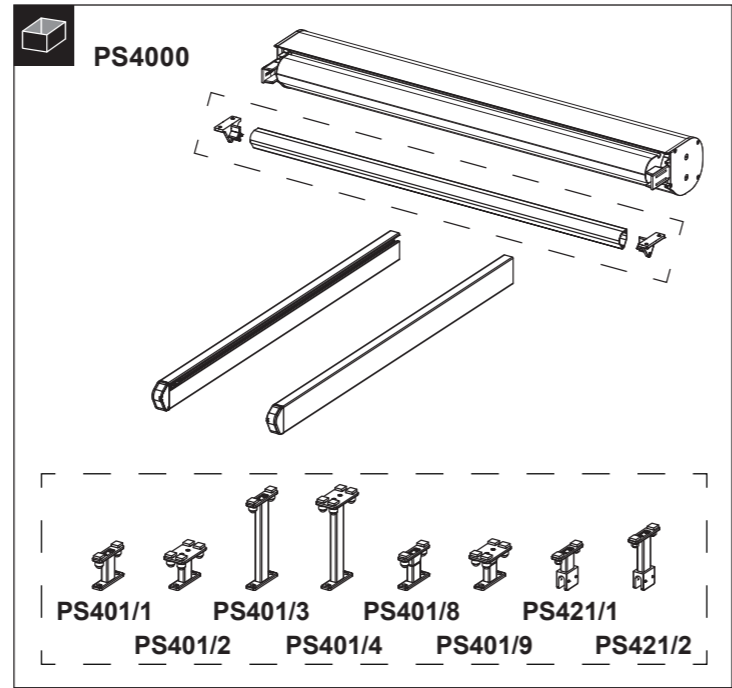
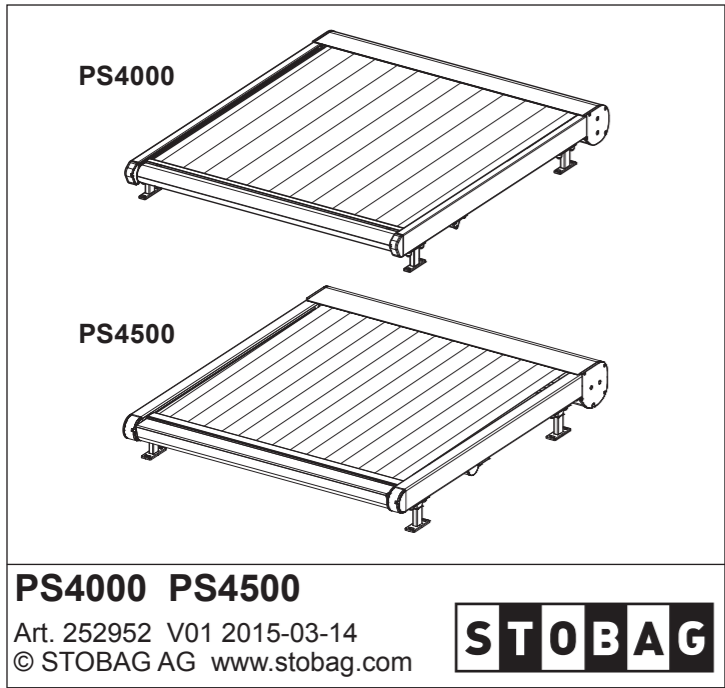




STOBAG AIROMATIC

MOTORIZED CONSERVATIVE AWNING SYSTEM





EN 13561:2004+A1:2008 CE

INSTALLATION IS ONLY TO BE CARRIED OUT BY TRAINED SPECIALISTS. IT IS EXTREMELY IMPORTANT THAT THE SAFETY INSTRUCTIONS IN THE OPERATING MANUAL BE FOLLOWED.

