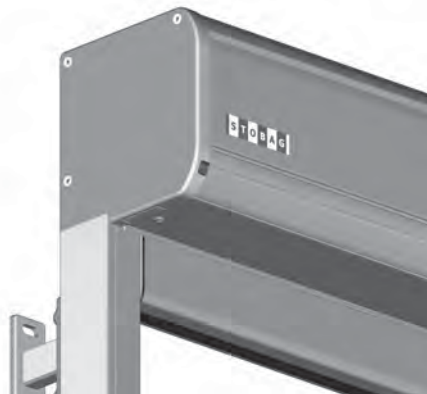


# VENTOSOL VD5600 LUNERO

Vertical awning with zip system

## VD5600



- \* 1.) max. fabric surface = 21 m<sup>2</sup>  
max. height 700 cm x width 300 cm
- \* 2.) max. fabric surface = 24 m<sup>2</sup>  
max. height 600 cm x width 400 cm or  
height 400 cm x width 600 cm
- \* 3.) max. fabric surface = 25 m<sup>2</sup>  
max. height 500 cm x width 500 cm

## Description

Extruded, two-part aluminium box profile 165 mm high and 165 mm wide, slightly rounded and with a belt brush to dampen emerging noise. The side frames consist of aluminium cast alloy, the complete locking system as well as 3 cable outputs (including plastic covers). The cover shaft, with a 100 mm diameter, is made from galvanised steel. Driven by a 230V/50Hz or 120V/60Hz AC (country-specific) tubular motor with friction brake and electronic stop position switch off. Counter and drive bearing made from an aluminium cast alloy – appropriate to the side frame. The hot-dipped flat steel gives the extruded aluminium drop profile with the dimensions 45 x 81 mm additional weight and is stabilised with a rubber fixing attached on both sides. The plastic belt brush forms the end of the awning. All aluminium profiles and visible aluminium cast components are powder-coated. The black-out awning fabric from the STOBAG collection is made from PVC-coated polyester fabric.

### VD5600/1 Wall mount

Attached to wall via direct screw connection or aluminium fixing brackets. The side, two-part guide profiles, consisting of a front profile (extruded aluminium profile 33 x 21 mm) and a main profile (extruded aluminium profile 57 x 38 mm), have a built-in groove for receiving the brackets and can feature pre-punched mounting holes, if desired. In addition they are fitted with the SIR-System (Soft Integrated Retaining System) made from plastic, which, via the integrated plastic spring clip, guarantees maximum tension of the fabric.

### VD5600/2 Soffit mount

Fastening in the soffit fixing via direct screw connection. The front profile (extruded aluminium profile 33 x 21 mm) of the side, two-part guide rails is identical with the one in the wall mount. By contrast, the main profile (extruded aluminium profile 57 x 38 mm) is suitable exclusively for the soffit mount and is designed symmetrically to be used unrolling both inwardly and outwardly. The integrated SIR system (Soft Integrated Retaining System) made from plastic guarantees the maximum tension of the cloth via the attached plastic spring clip.

## METHOD OF DELIVERY

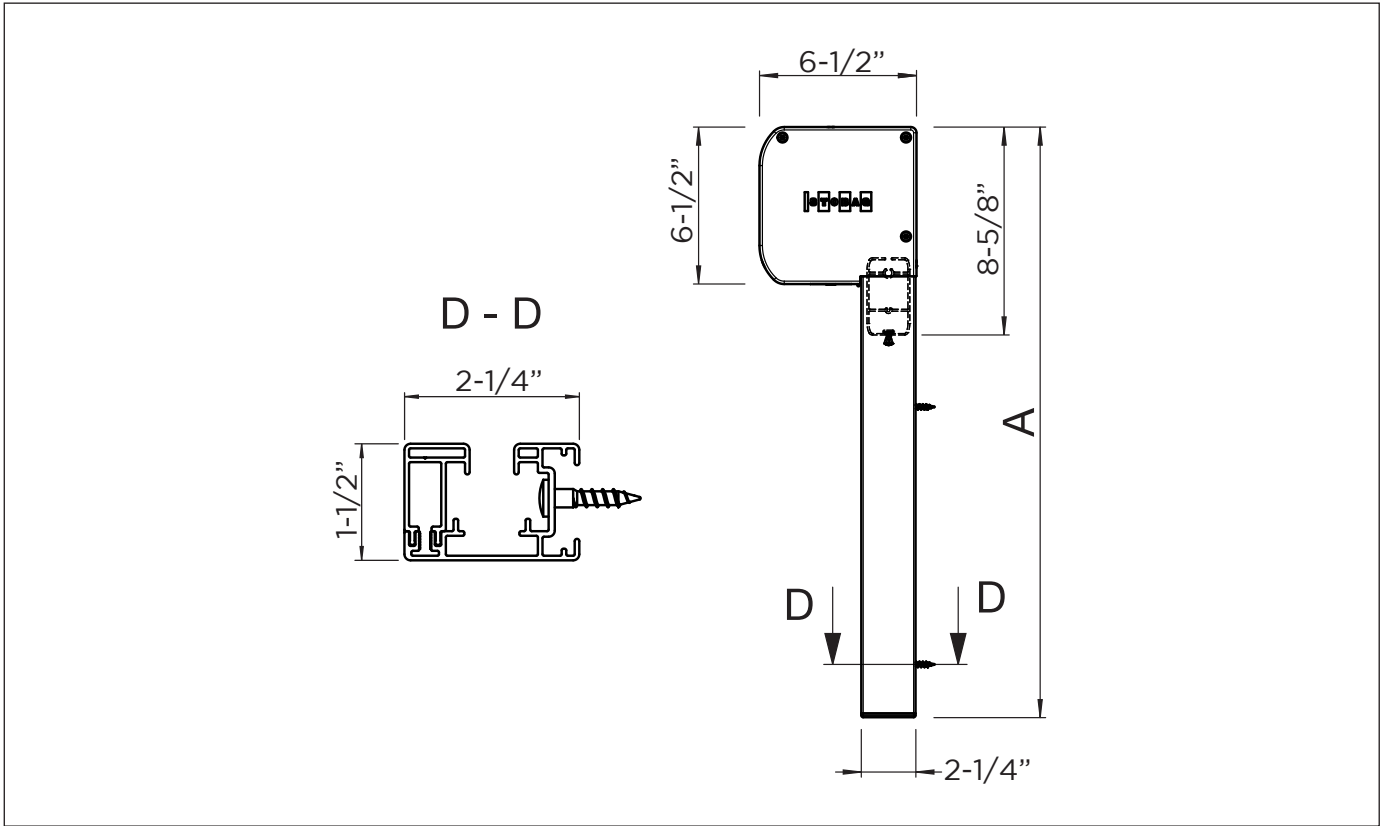
With box profile: Awning fully assembled with rolled-up fabric, and guide rails delivered separately.

# VENTOSOL VD5600 LUNERO

Vertical awning with zip system

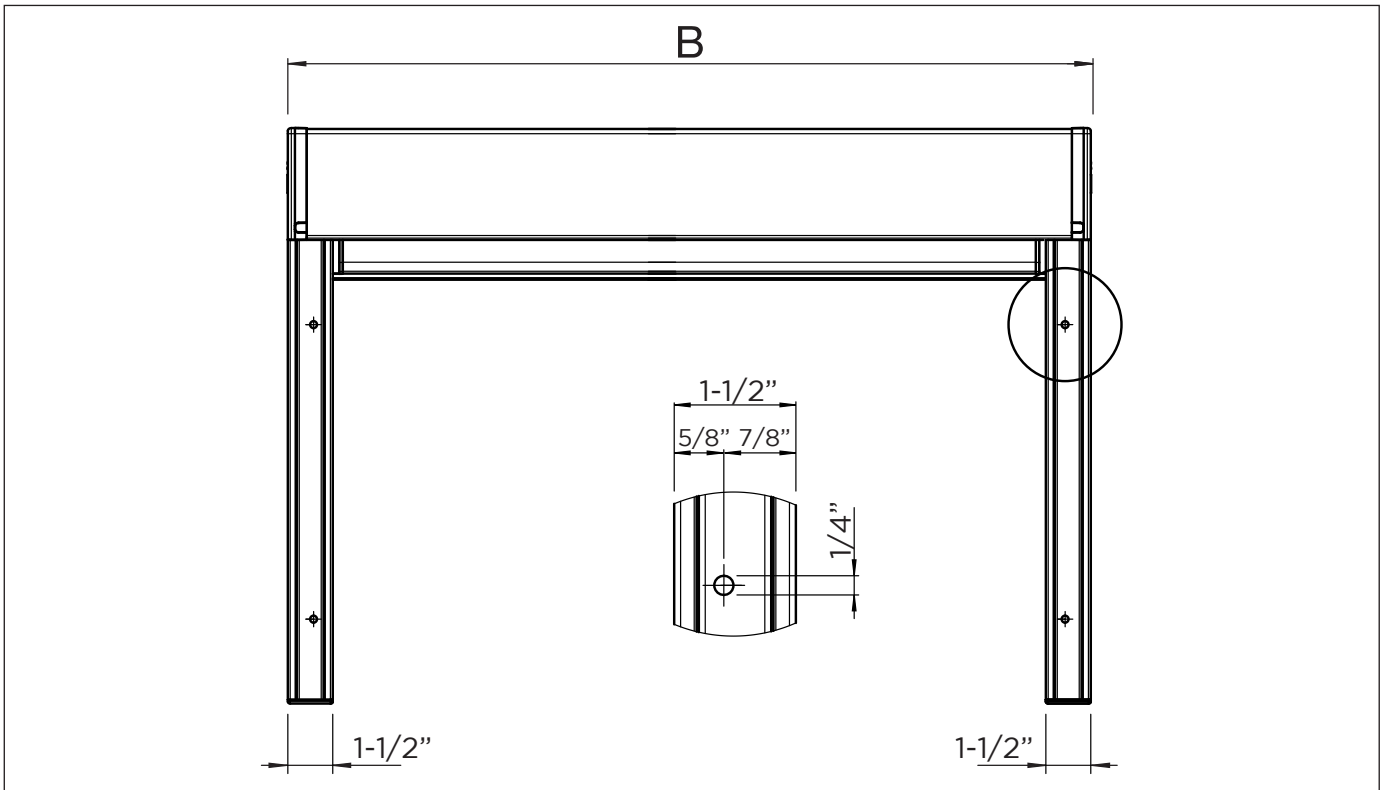
VD5600/1

Direct wall fixing



VD5600/1

Mounting plan with direct wall fixing



A = Total height

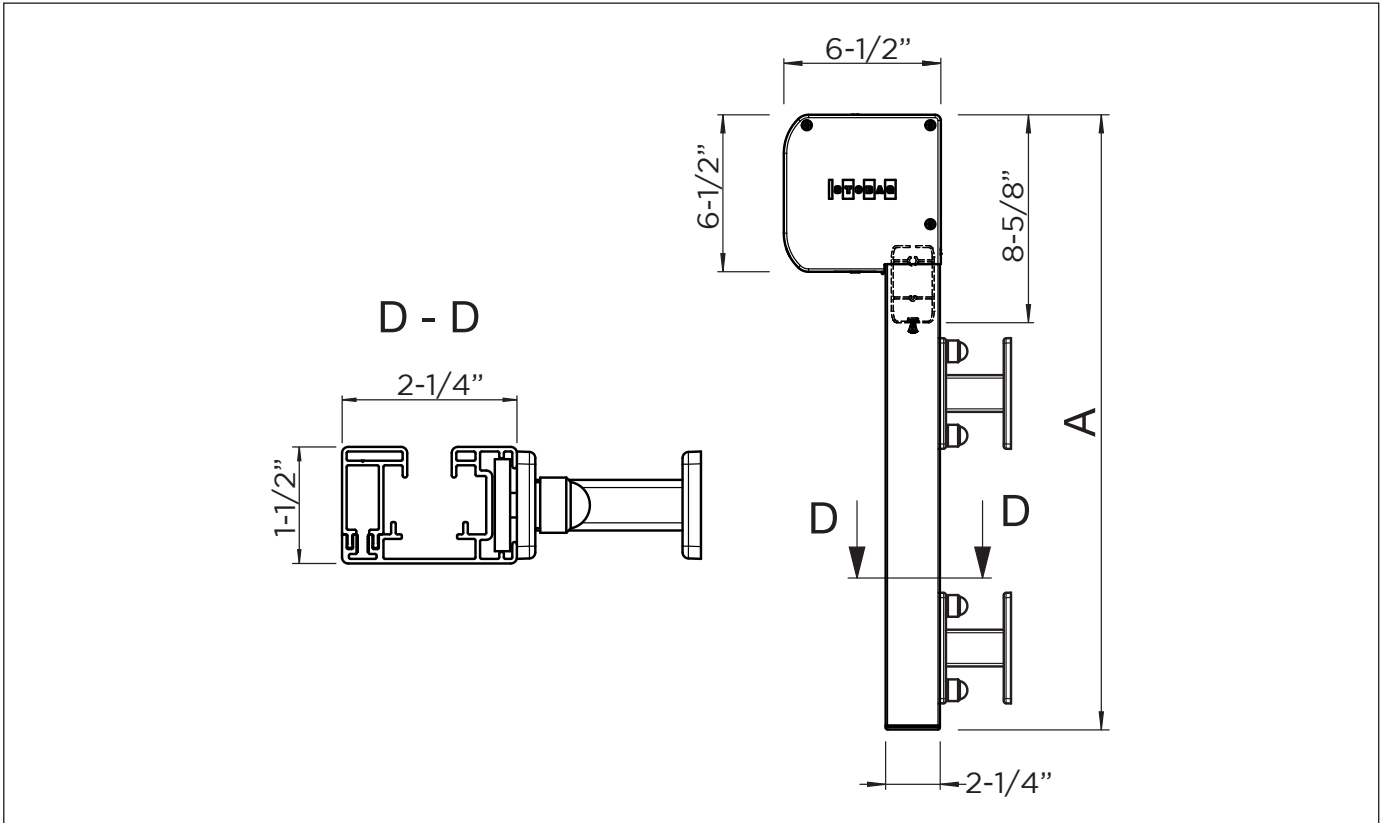
B = Total width

# VENTOSOL VD5600 LUNERO

Vertical awning with zip system

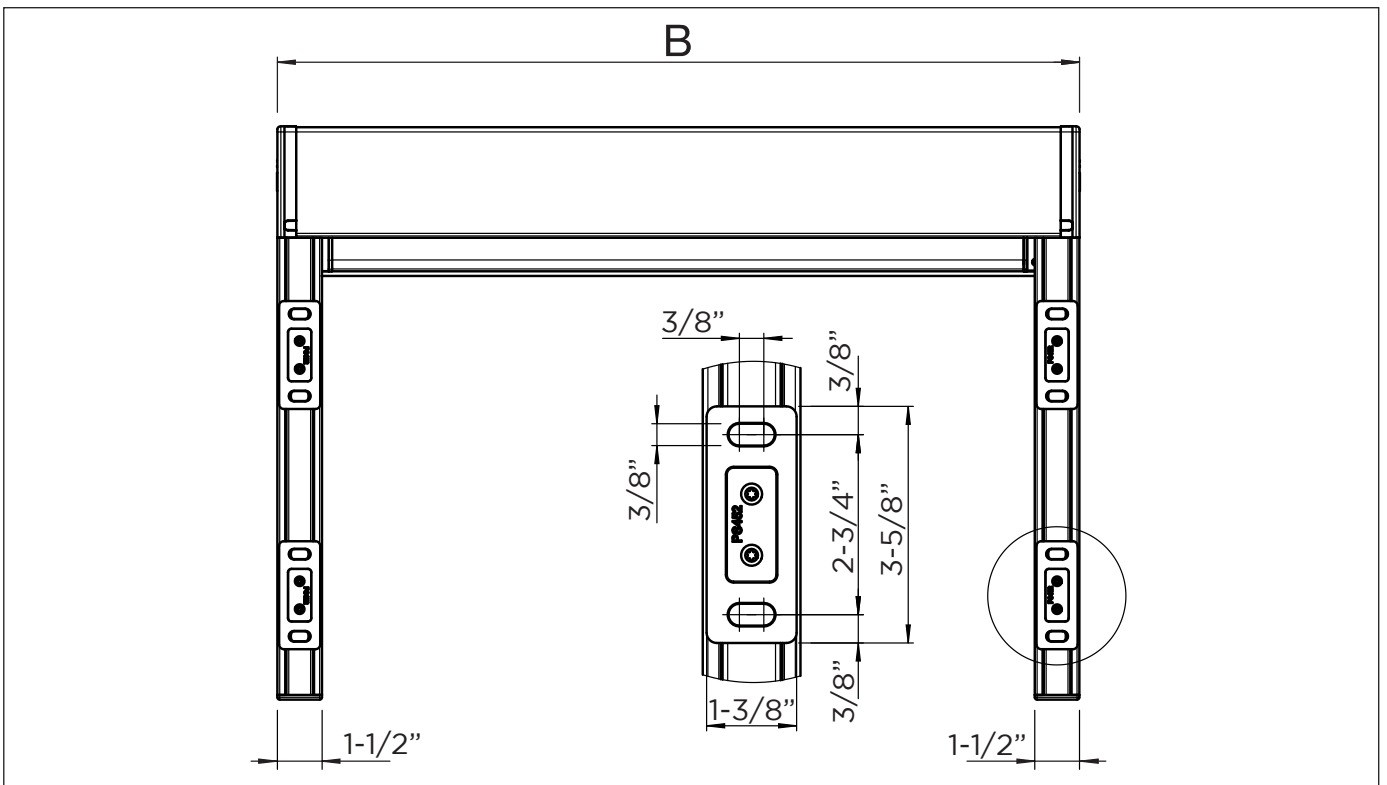
VD5600/1

Wall fixing with fixing bracket



VD5600/1

Installation drawing with fixing bracket



A = Total height

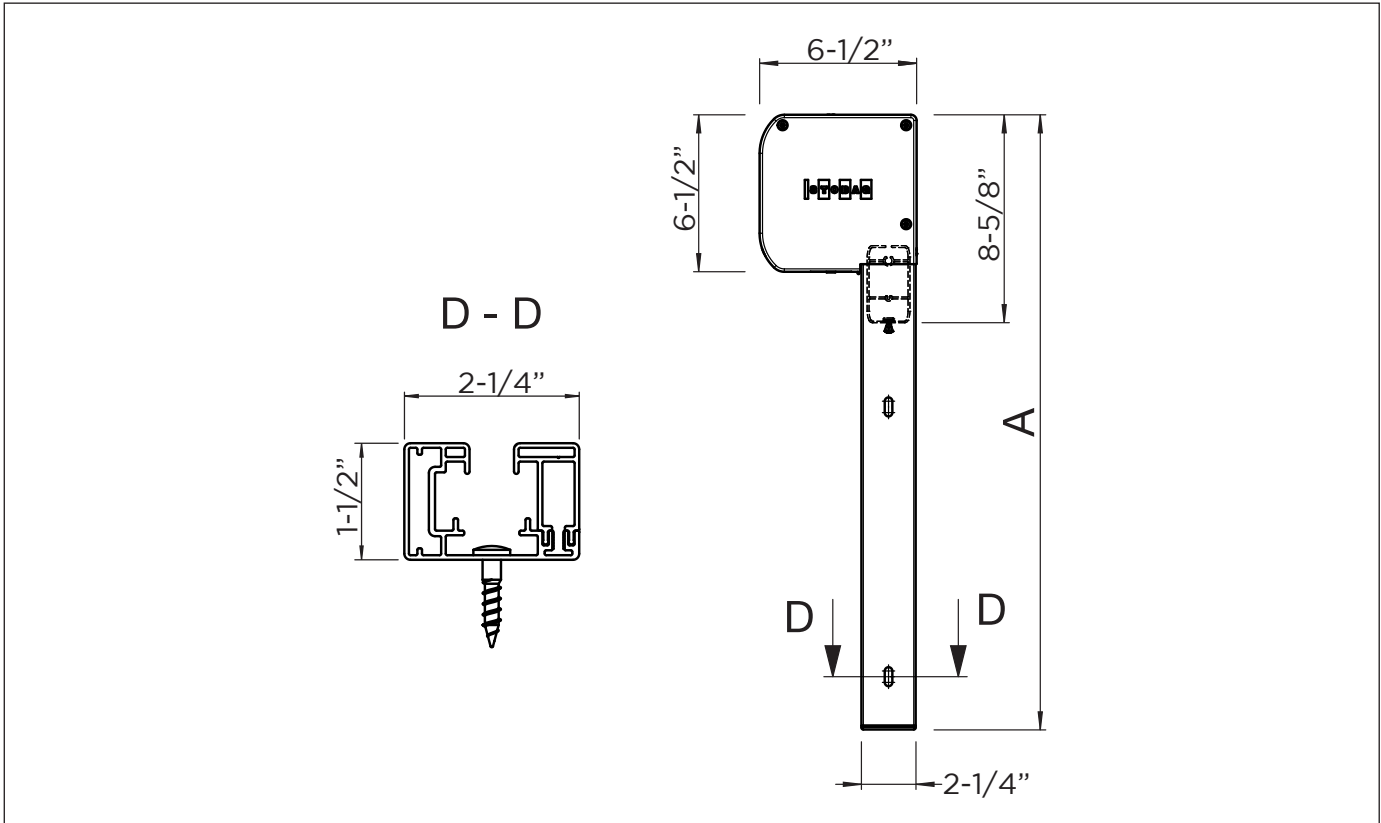
B = Total width

# VENTOSOL VD5600 LUNERO

Vertical awning with zip system

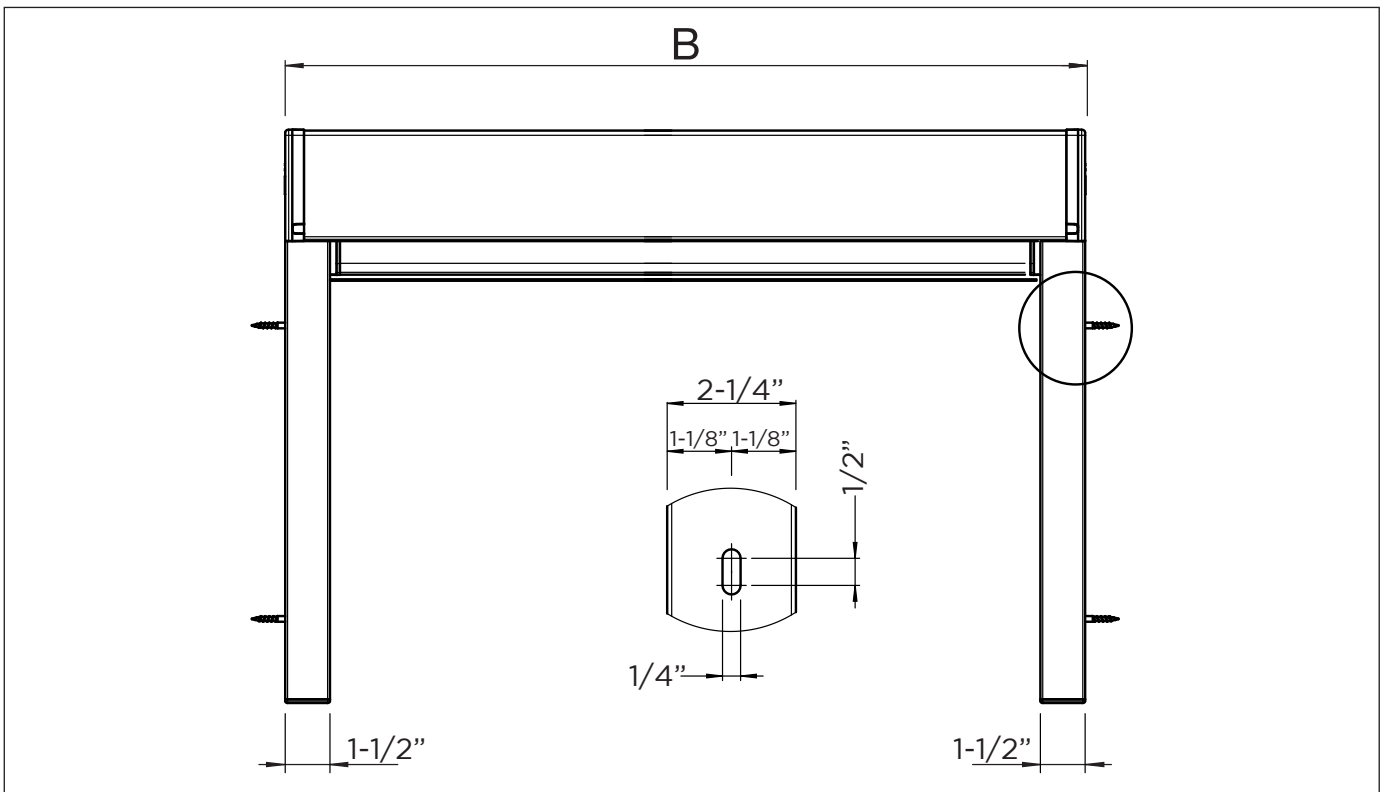
VD5600/2

Direct soffit fixing



VD5600/2

Mounting plan with direct soffit fixing



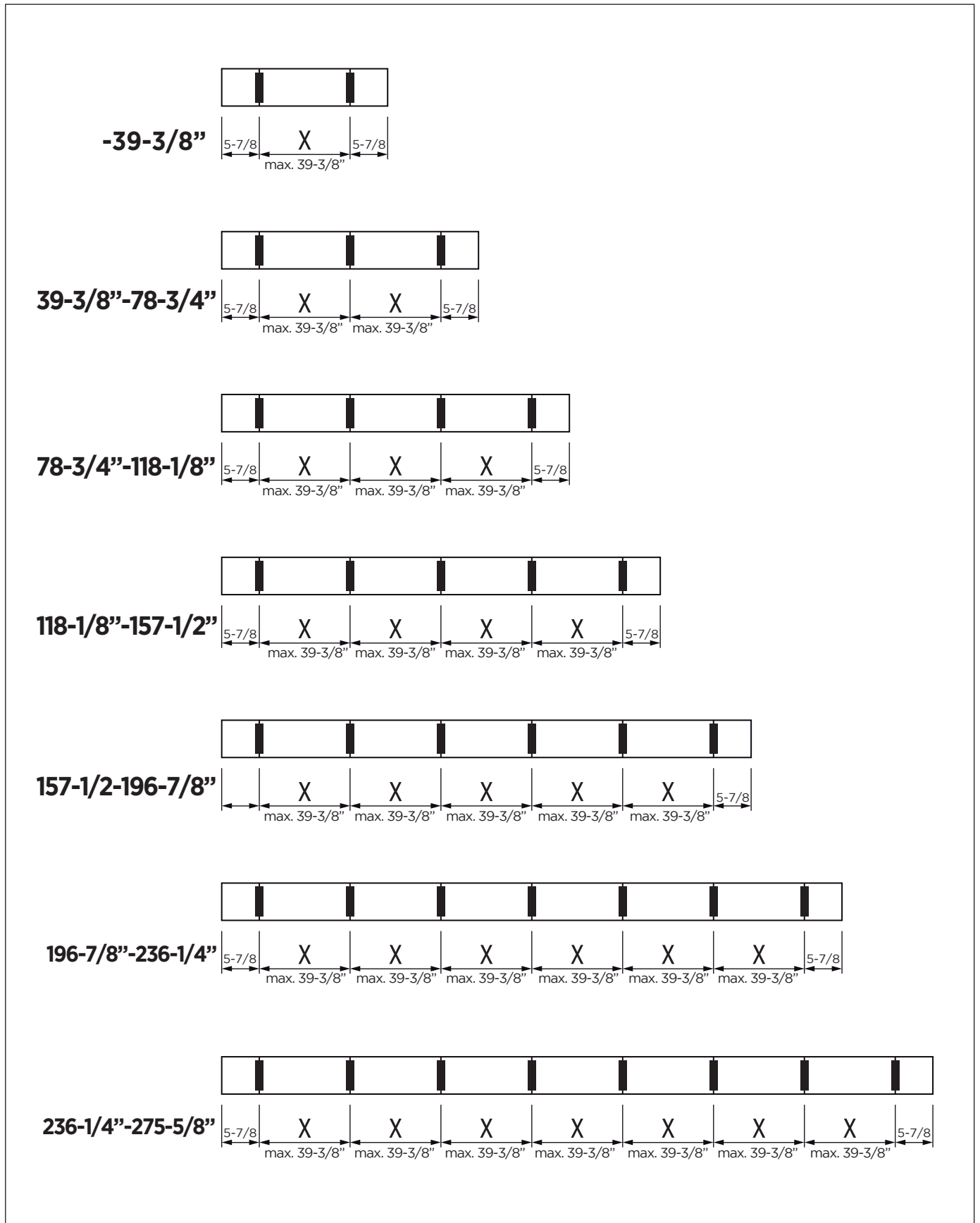
A = Total height

B = Total width

# VENTOSOL VD5600 LUNERO

Vertical awning with zip system

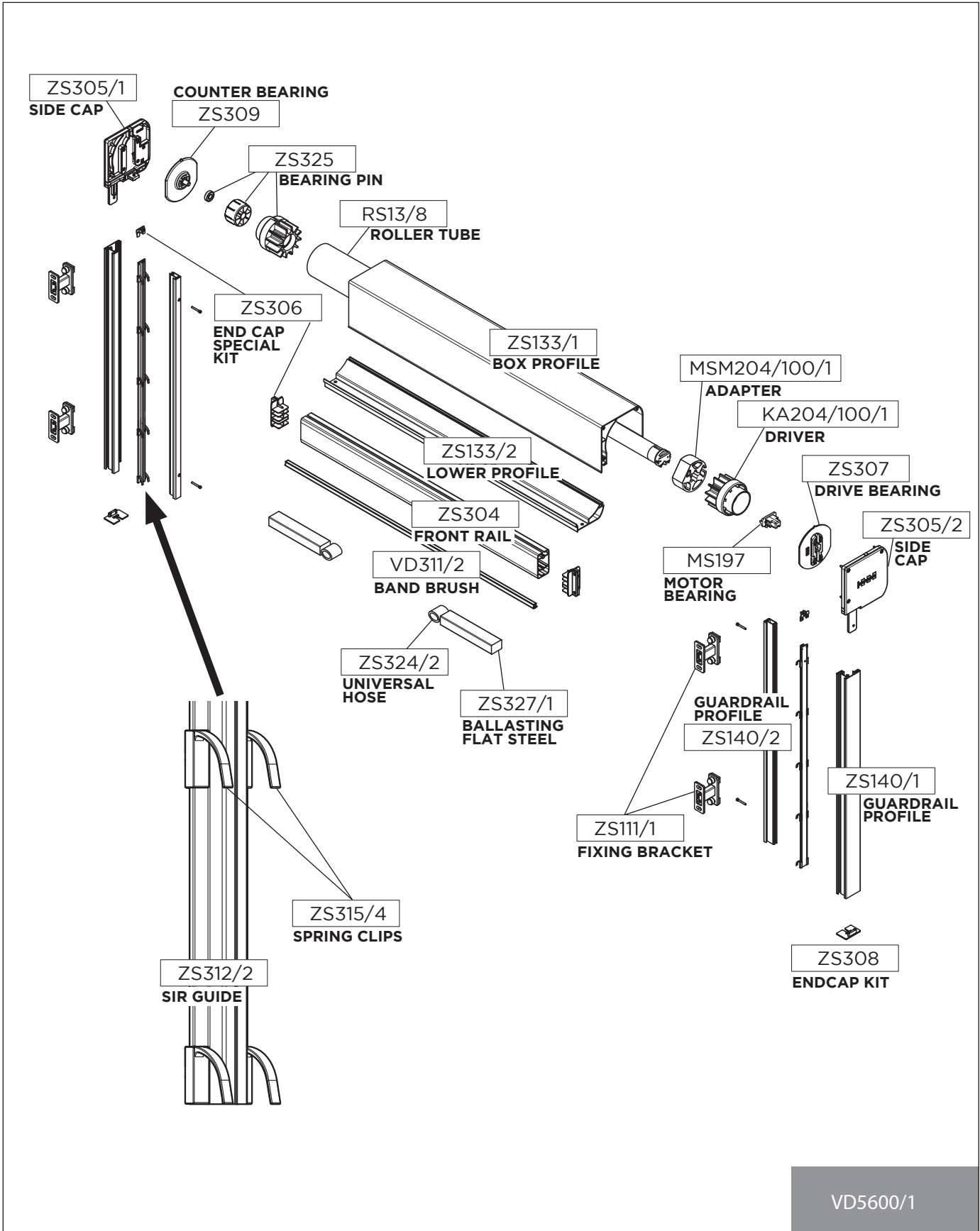
## Fixation bracket spacing / Soffit installation drill holes



# VENTOSOL VD5600 LUNERO

VD5600/1

Exploded view for wall fixing

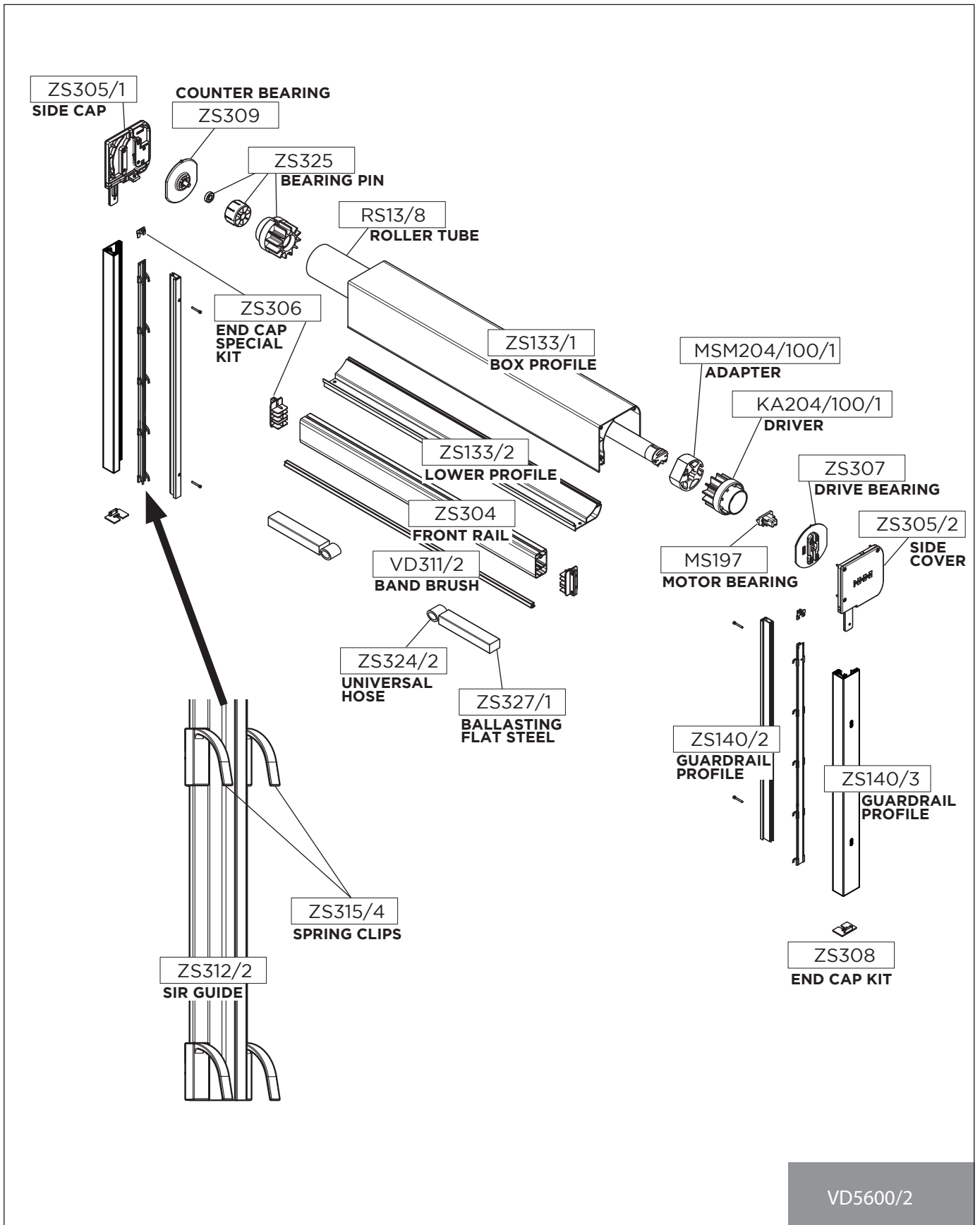


VD5600/1

# VENTOSOL VD5600 LUNERO

VD5600/2

Exploded view for soffit fixing



VD5600/2

# VENTOSOL VD5600 LUNERO

## Vertical awning with zip system

### VD5600

#### Side cap

ZS305/1	left	pc.
ZS305/2	right	pc.

#### Drive bearing

ZS307	to side cap ZS305/.	pc.
-------	---------------------	-----

#### Motor bearing

MS-197		pc.
--------	--	-----

#### Adapter + driver ø 100 mm

KA204/100/1 / MSM204/100/1		pc.
----------------------------	--	-----

#### Counter bearing

ZS309	to side cap ZS305/.	pc.
-------	---------------------	-----

#### Bearing pin ø 100 mm

ZS325		pc.
-------	--	-----

#### Tubular motors

Motor drive E / E STAS/STAK		pc.
Motor drive E radio / E radio STAS/STAK		

#### Box profile

ZS133/1	700 cm	pc.
---------	--------	-----

#### Box lower profile

ZS133/2	700 cm	pc.
---------	--------	-----

#### Band brush

S510/.	to ZS133/1	lm/Roll
--------	------------	---------

#### Front rail

ZS304	700 cm	pc.
-------	--------	-----

#### Band brush

VD311/2	to ZS304	lm/Roll
---------	----------	---------

#### Ballasting flat steel

ZS327/1	50 cm	pc.
---------	-------	-----

#### Universal hose

ZS324/2	zu ZS327/1	4 cm	pc.
---------	------------	------	-----

#### End cap special kit

ZS306	with 2 slider ZS115	pc.
-------	---------------------	-----

#### Guide rail profiles (Wall fixing)

ZS140/1	700 cm	pc.
---------	--------	-----

#### Guide rail profiles (Soffit fixing)

ZS140/3	700 cm	pc.
---------	--------	-----

#### Guide rail profiles

ZS140/2	to ZS140/1 + /3	700 cm	pc.
---------	-----------------	--------	-----

#### SIR guiding profile

ZS312/2	to ZS140/1 + /3	700 cm	pc.
---------	-----------------	--------	-----

#### Clip set

ZS315/4	to ZS312/2	pc.
---------	------------	-----

### Components list

#### End cap kit

ZS308	to ZS140/1 + /3	pc.
-------	-----------------	-----

#### PVC base fitting 2 mm (4 pcs)

ZS123/2		pc.
---------	--	-----

#### Fixing bracket

ZS111/1	single plate, 60 mm	pc.
ZS311/1	double plate, 60 mm	pc.
ZS111/3	single plate, 90 mm	pc.
ZS311/2	double plate, 90 mm	pc.

#### Fixing plate bracket

ZS101/1	single plate, max. 150 mm	pc.
ZS311/3	double plate, max. 150 mm	pc.

#### Fixing profile

PS402	to ZS101/1 + ZS311/3	und.
-------	----------------------	------

#### Roller tube, galvanised

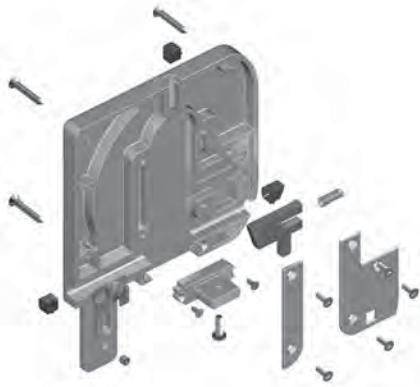
RS13/8	ø 100 x 1.50 mm	450 cm	pc.
		550 cm	pc.
		600 cm	pc.
		700 cm	pc.



# VENTOSOL VD5600 LUNERO

Vertical awning with zip system

## ZS305/1



## Side cover left

Side cap combined with opposed bearing as well as with motor drive on drive side.

### DELIVERY

1 side cap ZS305/1 (left)  
1 lock complete  
3 cable outlet covers

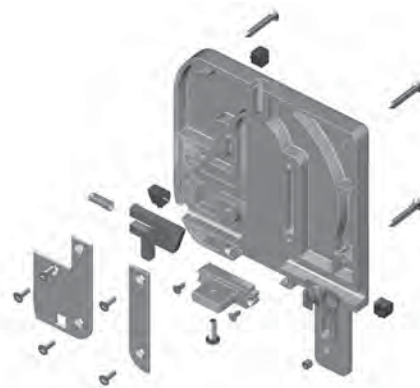
### MATERIAL

Side cap: aluminium cast alloy  
Screws: stainless steel

### PACKAGING UNIT

Kit

## ZS305/2



## Side cover right

Side cap combined with opposed bearing as well as with motor drive on drive side.

### DELIVERY

1 side cap ZS305/2 (right)  
1 lock complete  
3 cable outlet covers

### MATERIAL

Side cap: aluminium cast alloy  
Screws: stainless steel

### PACKAGING UNIT

Kit

## ZS307



## Drive bearing

Drive bearing suitable for side cover ZS305/. left or right.

### DELIVERY

1 drive bearing

### MATERIAL

Aluminium cast alloy

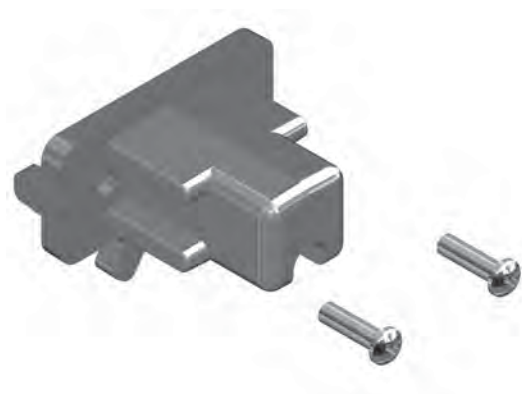
### PACKAGING UNIT

Piece

# VENTOSOL VD5600 LUNERO

Vertical awning with zip system

## MS197



## Motor bearing

The motor bearing is used in conjunction with the motor drive.

### DELIVERY

1 motor drive MS197  
2 screws

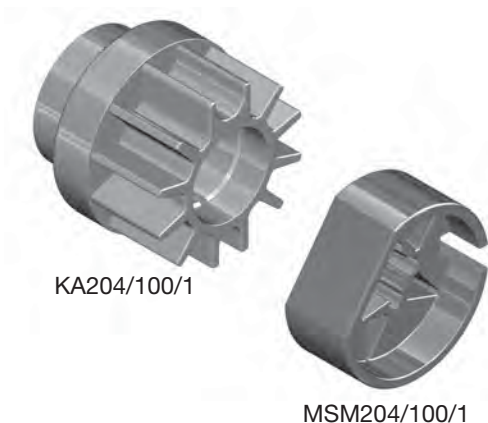
### MATERIAL

Motor bearing: aluminium cast alloy  
Screws: stainless steel

### PACKAGING UNIT

Piece

## KA204/100/1 / MSM204/100/1



## Adapter + driver ø 100 mm

100 Adapter + driver in conjunction with fabric shaft ø100 RS13/8 and motor drive E and motor drive E radio.

### DELIVERY

1 combi adapter KA204/100/1  
1 driver ø 100 mm MSM204/100/1

### MATERIAL

Combi adapter: plastic  
Driver ø 100 mm: plastic

### PACKAGING UNIT

Kit

## ZS309



## Opposed bearing

Opposed bearing suitable for side cap ZS305/. left or right.

### DELIVERY

1 opposed bearing

### MATERIAL

Aluminium cast alloy

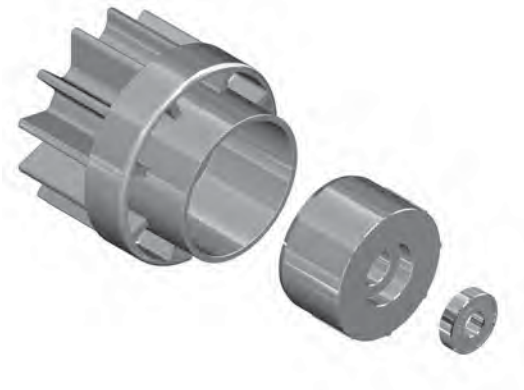
### PACKAGING UNIT

Piece

# VENTOSOL VD5600 LUNERO

Vertical awning with zip system

## ZS325



## Bearing pin ø 100 mm

Bearing pin suitable for counter bearing ZS309 and fabric shaft ø 100 RS13/8.

### DELIVERY

1 combi adapter  
1 combi bearing pin  
1 ball bearing

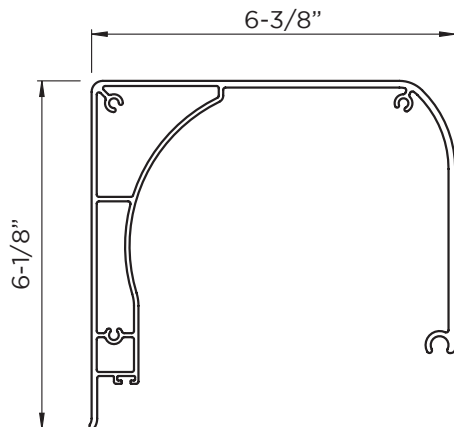
### MATERIAL

Combi adapter:	plastic
Combi bearing pin:	plastic
Ball bearing:	stainless steel

### PACKAGING UNIT

Kit

## ZS133/1



## Box profile

Box profile with screw grooves in conjunction with the box lower profile ZS133/2.

### ENGINEERING DATA

Standard lengths: 700 cm

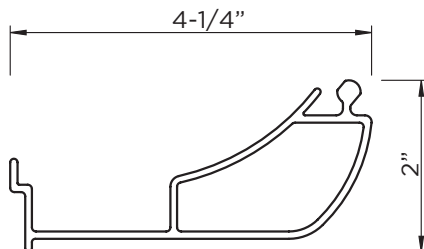
### MATERIAL

Extruded aluminium profiles

### PACKAGING UNIT

Piece

## ZS133/2



## Box lower profile

Box lower profile in conjunction with the box profile ZS133/1.

### ENGINEERING DATA

Standard lengths: 700 cm

### MATERIAL

Extruded aluminium profiles

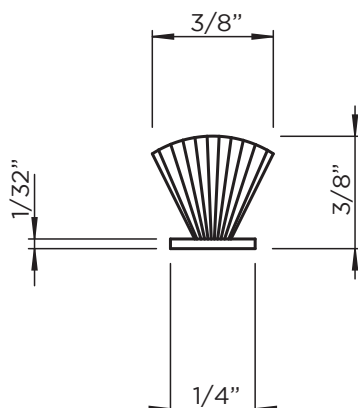
### PACKAGING UNIT

Piece

# VENTOSOL VD5600 LUNERO

Vertical awning with zip system

## S510/.



## Band brush

The belt brush is used in the box profile ZS133/1 to dampen the impact noises.

### ENGINEERING DATA

Size: S510/1 = grey  
S510/2 = black

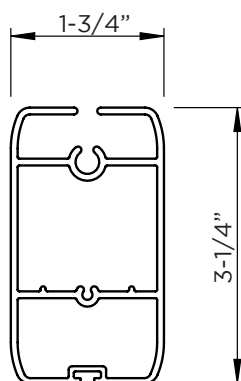
### MATERIAL

Brush: plastic

### PACKAGING UNIT

Rolls or linear meter

## ZS304



## Front rail

Front rail with groove for accepting awning material as well as the band brush. The hollow chamber is for accepting weight profile.

### ENGINEERING DATA

Standard lengths: 700 cm

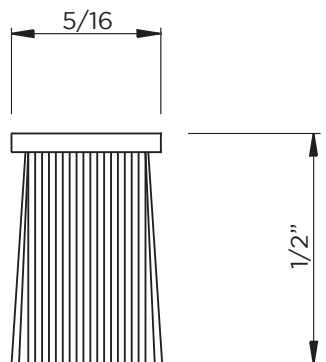
### MATERIAL

Extruded aluminium profiles

### PACKAGING UNIT

Piece

## VD311/2



## Band brush

The belt brush is used in the drop profile to avoid undesired incidence of light when closed.

### ENGINEERING DATA

grey / black

### MATERIAL

Brush: plastic

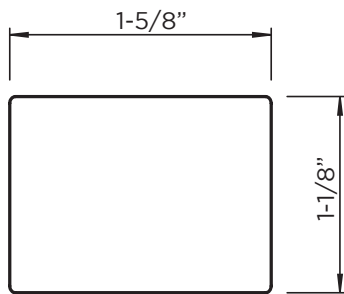
### PACKAGING UNIT

Rolls or linear meter

# VENTOSOL VD5600 LUNERO

Vertical awning with zip system

## ZS327/1



## Ballasting flat steel

The ballasting flat steel is pushed into the drop profile as extra weight.

TB 0850 - 49-1/8" = 1 piece ZS327/1  
TB 1250 - 236-1/4" = 2 pieces ZS327/1

### ENGINEERING DATA

Standard lengths: 50 cm 19-3/4"  
Weight: 4.800 Kg 10.58 lbs

### MATERIAL

Steel hot-clip galvanised

### PACKAGING UNIT

Piece

## ZS324/2



## Universal hose

Universal hose for fixing the ballasting flat steel ZS327/1.

### ENGINEERING DATA

Standard lengths: 4 cm

### MATERIAL

Plastic

### PACKAGING UNIT

Piece

## ZS306



## End cap special

The end cap cover is pushed sideways into the front rail and screwed tight. The slider is pushed onto the SIR system guide and this makes it possible to feed the cover correctly into the guide.

### DELIVERY

2 end cap special ZS306/1  
2 end cap special ZS306/2  
2 slider ZS115  
8 screws

### MATERIAL

End cap special, slider: plastic  
Screws: stainless steel

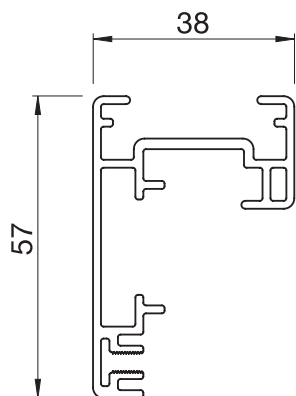
### PACKAGING UNIT

Kit

# VENTOSOL VD5600 LUNERO

Vertical awning with zip system

## ZS140/1



## Guide rail profiles (Wall fixing)

Guide profile in conjunction with the guide profile ZS140/2 suitable for wall mounting with mounting bracket and direct wall mounting.

**With built-in groove for the mounting bracket.**

### ENGINEERING DATA

Standard lengths: 700 cm

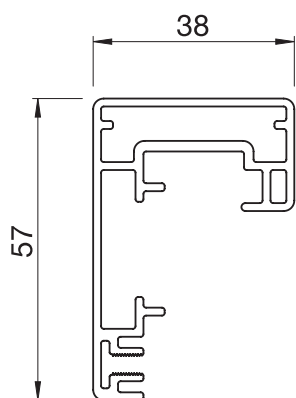
### MATERIAL

Guide rail profiles: Extruded aluminium profiles

### PACKAGING UNIT

Piece

## ZS140/3



## Guide rail profiles (Soffit fixing)

Guide profile in conjunction with the guide profile ZS140/2 suitable exclusively for reveal mounting.

**Without groove for the mounting bracket.**

### ENGINEERING DATA

Standard lengths: 700 cm

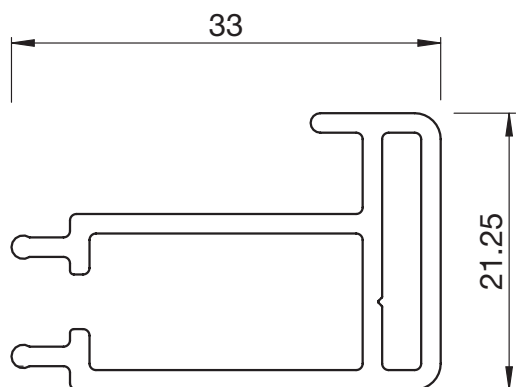
### MATERIAL

Guide rail profiles: Extruded aluminium profiles

### PACKAGING UNIT

Piece

## ZS140/2



## Guide rail profiles

Guide profile in conjunction with the guide profile ZS140/1 and ZS140/3.

### ENGINEERING DATA

Standard lengths: 700 cm

### MATERIAL

Guide rail profiles: Extruded aluminium profiles

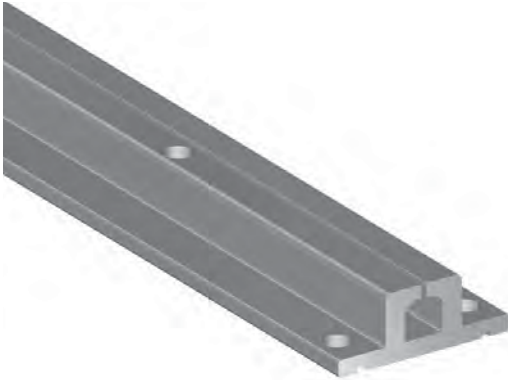
### PACKAGING UNIT

Piece

# VENTOSOL VD5600 LUNERO

Vertical awning with zip system

## ZS312



## SIR guide

The SIR guide suitable for guide profile ZS140/1 and ZS140/3.

### ENGINEERING DATA

Standard lengths: 700 cm

### MATERIAL

Guide: plastic

### PACKAGING UNIT

Piece

## ZS315/4



## Spring clip left

The spring clips are fitted at a distance of approx. 400 mm onto the SIR guide ZS312/2.

### DELIVERY

15 spring clips left ZS315/1  
15 spring clips right ZS315/2

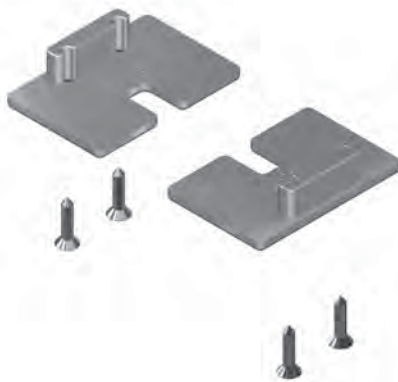
### MATERIAL

Guide: plastic

### PACKAGING UNIT

Kit

## ZS308



## End cap

End caps for guide rail profile (wall or soffit installation)

### DELIVERY

2 end caps ZS308  
4 screws

### MATERIAL

End cap: aluminium cast alloy  
Screws: stainless steel

### PACKAGING UNIT

Kit

# VENTOSOL VD5600 LUNERO

Vertical awning with zip system

## ZS123/2



## PVC base fitting 2 mm

PVC base 2mm for lining (levelling out) in the event of an uneven facade. Suitable for guide profile wall and reveal mounting.

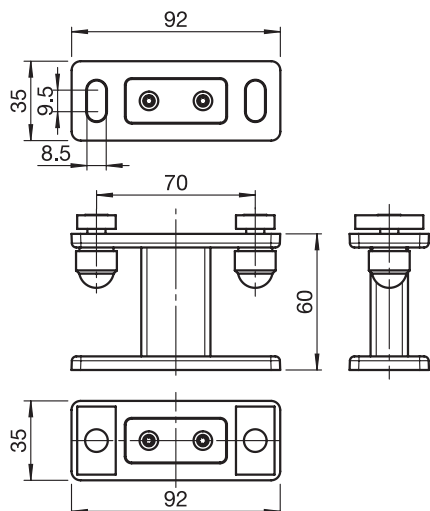
### DELIVERY

PVC bases 4 pcs

### PACKAGING UNIT

Kit

## ZS111/1



## Fixing bracket (single plate)

Fixing bracket can be screwed to base structure.  
Height 60 mm

### ENGINEERING DATA

Fixation plates: 92 x 35 x 6mm  
Standard height: 60mm  
Screws: M8 x 20mm sliders complete

### MATERIAL

Aluminium cast alloy and extruded aluminium profiles  
Screws: stainless steel

### PACKAGING UNIT

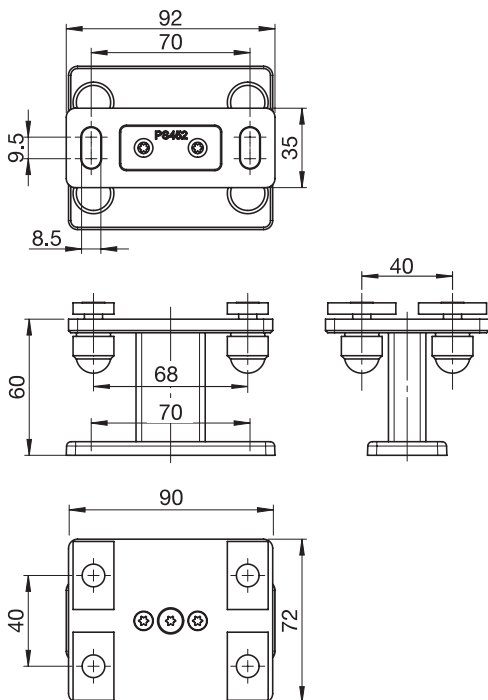
Piece



# VENTOSOL VD5600 LUNERO

Vertical awning with zip system

## ZS311/1



## Fixing bracket (double plate)

Double fixing bracket can be screwed to base structure.  
Height 60 mm for 2 guides.

### ENGINEERING DATA

Fixation plates: 92 x 35 x 6mm / 90 x 72 x 6mm  
Standard height: 60mm  
Screws: M8 x 20mm sliders complete

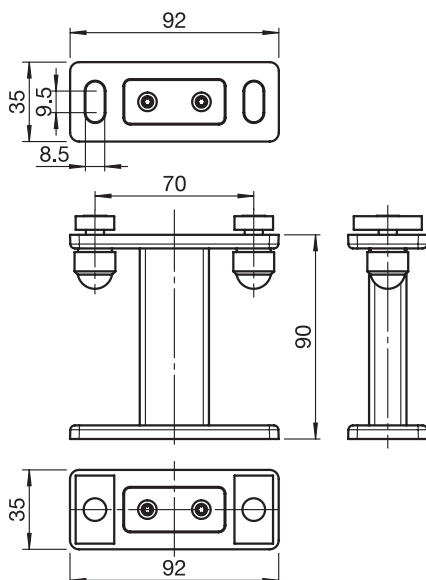
### MATERIAL

Aluminium cast alloy and extruded aluminium profiles  
Screws: stainless steel

### PACKAGING UNIT

Piece

## ZS111/3



## Fixing bracket (single plate)

Fixing bracket can be screwed to base structure.  
Height 90 mm

### ENGINEERING DATA

Fixation plates: 92 x 35 x 6mm  
Standard height: 90mm  
Screws: M8 x 20mm sliders complete

### MATERIAL

Aluminium cast alloy and extruded aluminium profiles  
Screws: stainless steel

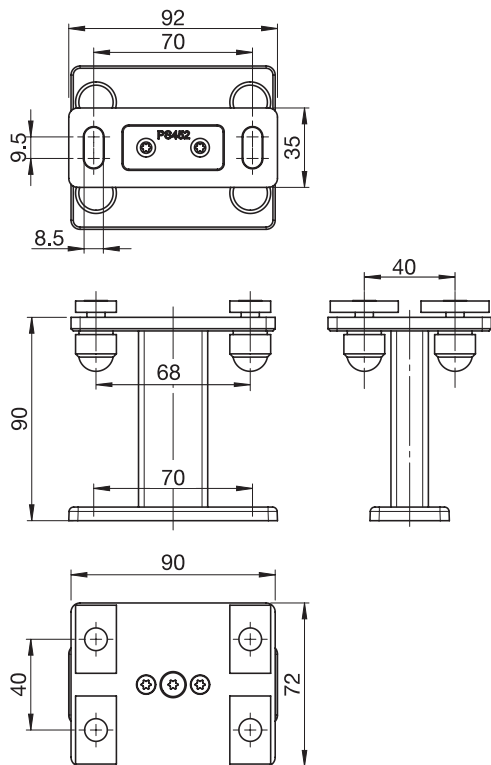
### PACKAGING UNIT

Piece

# VENTOSOL VD5600 LUNERO

Vertical awning with zip system

## ZS311/2



## Fixing bracket (double plate)

Double fixing bracket can be screwed to base structure.  
Height 90 mm for 2 guides.

### ENGINEERING DATA

Fixation plates: 92 x 35 x 6mm / 90 x 72 x 6mm  
Standard height: 90mm  
Screws: M8 x 20mm sliders complete

### MATERIAL

Aluminium cast alloy and extruded aluminium profiles  
Screws: stainless steel

### PACKAGING UNIT

Piece

## ZS101/1



## Fixing plate bracket

Mounting bracket can be screwed onto the basic construction.

**Max. height 150mm**  
**Min. height outwardly rolling 120mm**

### ENGINEERING DATA

Fixation plates: 92 x 35 x 6mm  
Screws: M8 x 20mm sliders complete

### MATERIAL

Fixation plates: Aluminium cast alloy  
Screws: stainless steel

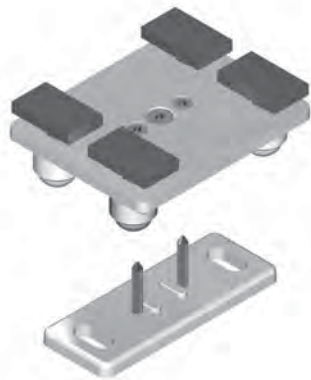
### PACKAGING UNIT

Piece

# VENTOSOL VD5600 LUNERO

Vertical awning with zip system

## ZS311/3



## Double fixing plate bracket

Mounting bracket can be screwed onto the basic construction.

**Max. height 150mm for 2 guides**  
**Min. height outwardly rolling 120mm**

### ENGINEERING DATA

Fixation plates: 92 x 35 x 6mm / 90 x 72 x 6mm  
Screws: M8 x 20mm sliders complete

### MATERIAL

Fixation plates: Aluminium cast alloy  
Screws: stainless steel

### PACKAGING UNIT

Piece

## PS402



## Fixing profile

Fixing profile suitable for fixing plate bracket ZS101/1 and ZS311/3.

**Max. height 150mm**  
**Min. height outwardly rolling 120mm**

### ENGINEERING DATA

Standard lengths: 600 cm

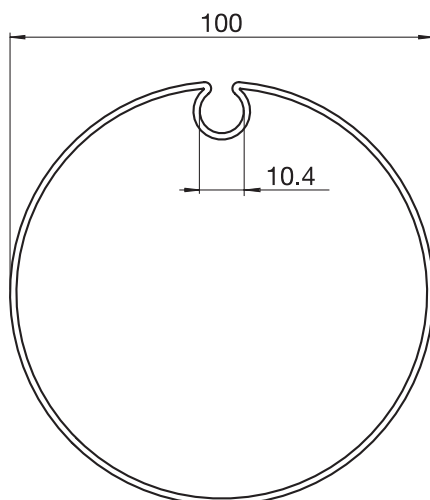
### MATERIAL

Fixing profile: Extruded aluminium profiles

### PACKAGING UNIT

Piece

## RS13/8



## Galvanized roller tube $\varnothing$ 100 mm

Fabric shaft  $\varnothing$  100 mm zinc-plated.

### ENGINEERING DATA

RS13/8  $\varnothing$  100 x 1.50 mm galvanized  
Standard lengths: 450, 550, 600, 700 cm

### MATERIAL

Steel sheet galvanized

### PACKAGING UNIT

Piece